



## Foreman Ductable Indirect- Fired Oil Heater

<b>CI230</b>	230,000 Btuh / 67.4 kW
<b>CI500</b>	500,000 Btuh / 146.54 kW
<b>CI750</b>	750,000 Btuh / 219.8 kW
#1 / #2 Fuel Oil	

View this manual online at [www.lbwhite.com](http://www.lbwhite.com)

### Attention

This heater has been tested and evaluated by OMNI Test Laboratories in accordance with the requirements of CSA B140.8-1967(R2015) and UL 733-2019 and is listed and approved as a ductable indirect oil-fired forced-air construction heater with application for the temporary heating of buildings under construction, alteration, or repair. CHECK WITH YOUR LOCAL FIRE SAFETY AUTHORITY, YOUR FUEL GAS SUPPLIER, OR THE L.B. WHITE COMPANY IF YOU HAVE QUESTIONS REGARDING APPLICATIONS OR INSTALLATION.  
[www.lbwhite.com](http://www.lbwhite.com)



Report No: 0545HH002S



### Congratulations!

You have purchased the finest circulating heater available. Your new L.B. White heater incorporates the benefits from the most experienced manufacturer of heating products using state-of-the-art technology.

We, at L.B. White, thank you for your confidence in our products and welcome any suggestions or comments you may have...contact us at 1-(800)-345-7200, or email us at [customerservice@lbwhite.com](mailto:customerservice@lbwhite.com).

### NOTICE

The herein installation instructions are the L.B. White Co. LLC suggested recommendations and guidelines for temporary or permanent installation of the L.B. White Co. LLC heaters. Local, state, and electrical and safety code requirements supersede these guidelines.

SEE ASSEMBLY  
INSTRUCTIONS  
INSIDE

**Please refer to important  
elevation information on  
inside cover.**



SCAN THIS  
with your smartphone or  
visit <http://goo.gl/nvneR>  
to view maintenance  
videos for L.B.White heaters.\*

\* Requires an app like QR Droid  
for Android or for iPhone

WORLD PROVIDER - INNOVATIVE CLIMATE SOLUTIONS

411 Mason Street, Onalaska, WI 54650 • 800-345-7200 • 608-783-5691 • 608-783-6115 (fax) • [www.lbwhite.com](http://www.lbwhite.com)

## TABLE OF CONTENTS

Specification .....	4
General Information & Safety Precautions .....	5
Moving/Transporting the heater .....	8
General Installation Instructions .....	9
L.B. White LINK .....	12
Start-Up Instructions .....	13
Safety Lock-Out .....	14
Shut Down Instructions .....	15
Cleaning/Maintenance Instructions .....	15
Service Instructions .....	16
Troubleshooting Guide .....	22
Electrical Wiring/Ladder Diagram .....	25
Parts List .....	26
Warranty Policy .....	32

### **WARNING**

Standard products are manufactured to operate at optimum efficiency at elevations between 0 and 2000 ft. above sea level.

If operated at higher elevations the product will not function correctly and may function in an unsafe nature.

Products providing proper operation for alternate elevations may be available.

If you require a high elevation product, did not specify when ordering, and/or the box this unit came in does not have an alternate altitude designation sticker please contact technical support.

## GENERAL HAZARD WARNING

Failure to comply with the precautions and instructions provided with this heater, can result in:

- Death
  - Serious bodily injury or burns
  - Property damage or loss from fire or explosion
  - Asphyxiation due to lack of adequate air supply or carbon monoxide poisoning
  - Electrical shock
    - Read this Owner's Manual before installing or using this heater.
    - Only properly-trained service people should repair or install this heater.
    - Save this Owner's Manual for future use and reference.
    - Owner's Manuals and replacement labels are available at no charge.
- For assistance, contact L.B. White at 800-345-7200.

## WARNING

- Keep all combustible materials away from this heater.
  - Minimum Clearances
  - Outlet: 6 ft. (1.83m)
  - Sides: 1ft. (0.30m)
  - Top and Rear: 3 ft. (0.91m)
- NEVER use fuels such as gasoline, benzene, paint thinners, or other oil compounds in this heater (RISK OF FIRE OR EXPLOSION).
- NEVER use this heater where flammable vapors may be present.
- NEVER refill the heater's fuel tank while heater is operating or still hot. This heater is EXTREMELY HOT while in operation.
- NEVER block air inlet (rear) or air outlet (front) of heater.
- NEVER move or handle heater while still hot.
- NEVER transport heater with fuel in its tank.
- When used with optional thermostat or if equipped with a thermostat, the heater may start at any time.
- ALWAYS locate heater on a stable and level surface.
- NEVER use any fuel other than #1/#2 diesel in this heater.
- Bulk fuel storage should be a minimum of 25 ft. from heaters, torches, portable generators, or other sources of ignition. All fuel storage should be in accordance with federal, state, or local authorities having jurisdiction.

## WARNING

### Fire and Explosion Hazard

- Keep solid combustibles a safe distance away from the heater.
- Solid combustibles include wood, paper products, feathers, straw and dust.
- Do not use the heater in spaces which contain or may contain volatile or airborne combustibles, or flammable gases.
- Volatile or airborne combustibles and flammable gases include gasoline, solvents, paint thinner, dust particles or unknown chemicals.
- Failure to follow these instructions may result in a fire or explosion.
- Fire or explosions can lead to property damage, personal injury or loss of life.

## WARNING

### Fire and Explosion Hazard

- Not for home or recreational vehicle use.
- Installation of this heater in a home or recreational vehicle may result in a fire or explosion.
- Fire or explosions can cause property damage or loss of life.

## FOR YOUR SAFETY

Do not store or use gasoline or other flammable vapors and liquids in the vicinity of this or any other appliance.

## WARNING

Cancer and reproductive harm.  
See [www.P65Warnings.ca.gov](http://www.P65Warnings.ca.gov).

# Specifications

		CI230	CI500	CI750
Fuel Type		#1 or #2 Fuel Oil		
Maximum Input (Btuh/kWh)		230,000 / 67.4	500,000 / 146.5	750,000 / 219.8
Air Flow (CFM)		1,600	3,457	4,280
Pump pressure (PSI / kPa)		180 / 1241	150 / 1034	
Nozzle		1.25 GPH x 60B	2.75 GPH X 60 B	4.0 GPH X 60 B
Fuel Tank Capacity (gal. / liter)		42 / 159	61 / 231	
Firing rate (GPH / LPM)		1.7 / 0.11	3.6 / 0.23	5.4 / 0.34
Motor Characteristics		Ball Bearing, 0.5 H.P. / 373 Watts, 1725 RPM	Ball Bearing, 1.5 H.P. / 1,119 Watts, 1725 RPM	Ball Bearing, 2.0 H.P. / 1,491 Watts. 1725 RPM
Blower Speed (RPM)		1725	1000	
Electrical Supply (Volts/Hz/Phased)		120/60/1		240/60/1
Amp Draw	Starting	32	35	35
	Continuous Operation (FLA)	9	14.8	12
Dimensions (inches/cm) L x W x H		23.7 x 10.5 x 17.0 / 60.2 x 26.6 x 43.3	92.5 x 32 x 44.5 / 235 x 813 x 113	
Minimum Safe Distance from Nearest Combustible materi- als (Feet/Meter)	Top:	3.0 / 0.91		
	Sides:	1.0 / 0.30		
	Rear:	3.0 / 0.91		
	Blower Outlet:	6.0 / 1.83		
Bulk Fuel Storage Container (Feet/Meter)		25 / 7.62		
Minimum Ambient Temperautre in Which Heater May be Used (°F / °C)		-20 / -29		
Net Weight (lb / kg)		396 / 179.6	805 / 365.1	826 / 374.7



## General Information

This Owner's Manual includes accessories commonly used on this heater. These accessories must be ordered separately.

When calling for technical service assistance, or for other specific information, **always** have model number, configuration number and serial number available. This information is contained on the dataplate.

This manual will instruct you in the operation and care of your unit. Have your installer review this manual with you so that you fully understand the heater and how it functions.

Contact your local L.B. White distributor or the L.B. White Co., LLC for assistance, or if you have any questions about the use of the equipment or its application.

The L.B. White Co., LLC has a policy of continuous product improvement. It reserves the right to change specifications and design without notice.

## Overview

The heater is equipped with a burner assembly. The assembly includes an electronic igniter, solenoid valves, and burner head with orifice. When the heater is turned ON, the igniter will spark, with gas delivered through the solenoids to the burner orifice. Ignition will occur.

The burner will heat the heat exchanger. After a predetermined time frame has passed, a fan controller will start the main blower motor, and blow cool air over the heat exchanger. The cool air will be preheated by passing over the heat exchanger, with warm, dry air delivered the area to be heated.

Combustion by-products created during the heating process will be transferred up a vent stack directly to the outside, thereby providing only clean, dry air to the heated area.

When the heater is turned OFF, the oil solenoid valve will be de-energized cutting off fuel to the burner nozzle. The burner motor will continue to operate for a short period. The fan controller will continue to run the main blower motor for a predetermined period of time to allow the heat exchanger to cool down. After this time frame has elapsed, the fan controller will disconnect power to the fan motor, thereby shutting the fan motor down completely.

## Safety Precautions

### **WARNING**

#### **Asphyxiation Hazard**

- Do not use this heater for heating human living quarters, garages, workshops, or other such confined spaces.
- The flow of combustion and ventilation air must not be obstructed.
- Proper ventilation air must be provided to support the combustion air requirements of the heater being used.
- Lack of proper ventilation air will lead to improper combustion.
- Improper combustion can lead to carbon monoxide poisoning leading to serious injury or death. Symptoms of carbon monoxide poisoning can include headaches, dizziness and difficulty in breathing.
- Proper ventilation air for combustion must be provided in accordance with OSHA 29 CFR 1926.154, Temporary Heating Devices, ANSI A10.10, Safety Requirements for Temporary and Portable Space Heating Devices, or the Natural Gas and Propane Installation Code, CAN/CSA B149.1 as appropriate.

### **CAUTION**

#### **Fire and Burn Hazard**

- Hot while in operation.
- Do not touch.
- Keep children, clothing, and combustibles away.

## QUALIFICATIONS FOR SERVICING AND INSTALLATION:

1. Do not attempt to install, repair, or service this heater unless you have continuing expert training and knowledge of liquid fuel heaters.

Qualifications for service and installation of this equipment are as follows:

To be a qualified liquid fuel heater service person, you must have sufficient training and experience to handle all aspects of indirect fired liquid fuel heater installation, service and repair. This includes the task of installation, troubleshooting, replacement of defective parts and testing of the heater. You must be able to place the heater into a continuing safe and normal operating condition. You must completely familiarize yourself with the heater by reading and complying with the safety instructions, labels, Owner's Manual, etc., that is provided with each heater.

2. All installations and applications of L.B. White heaters must meet all relevant local, state and national codes. Included are electrical and safety codes. Your local fuel supplier, a local licensed electrician, the local fire department or similar government agencies, or your insurance agent can help you determine code requirements.

Refer to the following:

- ANSI/NFPA 70, National Electrical Code.
- ANSI A10.0, 1990 Latest Edition Safety Requirements for Temporary and Portable Space Heating Devices and Equipment Used in Construction Industry.
- CSA standard B139-1962, Installation Code for Oil-Burning Equipment, for recommended installation practice.

3. The area surrounding the heater shall be kept clear and free from combustible materials, gasoline, and other flammable vapors and liquids.
4. We cannot anticipate every use which may be made of our heaters. Check with the local fire safety authority if you have questions about applications.
5. For safety, this heater is equipped with fan and high limit switches. Never operate the heater with any safety device that has been bypassed. Do not operate this heater unless these features are fully functioning.

6. Do not locate fuel containers near the blower outlet of the heater.
7. Do not adjust the supply air or fuel for combustion. Doing so will cause improper combustion and operation of the heater.
8. Do not block air intakes or discharge outlets of the heater. Doing so may cause improper combustion or damage to heater components leading to property damage.
9. Check for fuel leaks and proper function upon heater installation, when relocating, and after servicing.
10. This heater should be inspected for proper operation by a qualified service person before each use, not less than once per shift, and at least annually.
11. This heater is equipped with a three-prong (grounding) plug for your protection against shock hazard and must be plugged directly into a properly grounded three-prong receptacle. Failure to use a properly grounded receptacle can result in electrical shock, personal injury, or death.
12. Read and understand all warnings. Keep this manual for reference. It is your guide to safe and proper operation of this heater.
13. Use only the recommended fuels to avoid risk of fire or explosion. Never use gasoline, naphtha, paint thinners, alcohol, or other highly flammable fuels.
14. Fueling:
  - a. Personnel involved with fueling shall be qualified and thoroughly familiar with the manufacturer's instructions and applicable regulations regarding the safe fueling of heating units.
  - b. Use only the type of fuel specified within the manual.
  - c. All flame shall be extinguished and the heater allowed to cool prior to fueling.
  - d. During fueling, all fuel inlets and fuel-line connections shall be inspected for leaks. Any leaks shall be repaired prior to returning the heater to service.

- e. At no time shall more than one day's supply of heater fuel be stored inside a building in the vicinity of the heater. Bulk fuel storage shall be outside the structure.
  - f. All fuel storage shall be located a minimum of 25 feet (7.62m) from heaters, torches, welding equipment, and similar sources of ignition (exception: the fuel reservoir integral with the heater unit).
  - g. Whenever possible, fuel storage shall be confined to areas where floor penetrations do not permit fuel to drip onto or be ignited by a fire at lower elevation.
  - h. Fuel storage shall be in accordance with the authority having jurisdiction.
  - i. Fuel storage shall not be permitted within 10 ft. (3.05 m) of floor penetrations used for vertical access unless separated from the penetration by full masonry height walls.
15. Use only in areas free of flammable vapors or high dust content.
  16. Locate heater on a stable and level surface while hot or operating. Use a level.
  17. Never start heater if fuel has accumulated in combustion chamber.
  18. Heater may start at any time when used with thermostat.
  19. When heater is stored, it must be in a level position.
  20. Never move, handle, refuel, or service a hot, operating, or plugged-in heater.
  21. Follow all local codes if connecting the heater to an external fuel source.
  22. Heaters used in the vicinity of tarpaulins, canvas, or similar enclosure materials shall be located in safe distance from such materials. The recommended minimum safe distance is 10 ft. (3.05 m). It is further recommended that these enclosure materials be of a fire retardant nature. These enclosure materials shall be securely fastened to prevent them from igniting or from upsetting the heater due to wind action.
  23. Unplug heater when not in use.
  24. When the heater is used in an enclosed or partially enclosed permanent or temporary structure, tests for the presence of carbon monoxide shall be made within one hour after the start of each shift, and at least four hours thereafter. Immediate, more frequent testing may be dictated by job conditions.

## Safety System

**High Temperature Control:** The heater is equipped with a high temperature switch designed to turn the heater off if the internal temperature reaches an unsafe level.



**CAD Cell:** A light sensitive resistor. Used to sense the presence of light in the heat exchanger, allowing the heater to continue its operation.



CAD cell flame detection range  
Normal condition = 0 to 1600 ohms

## Moving/Transporting the Heater

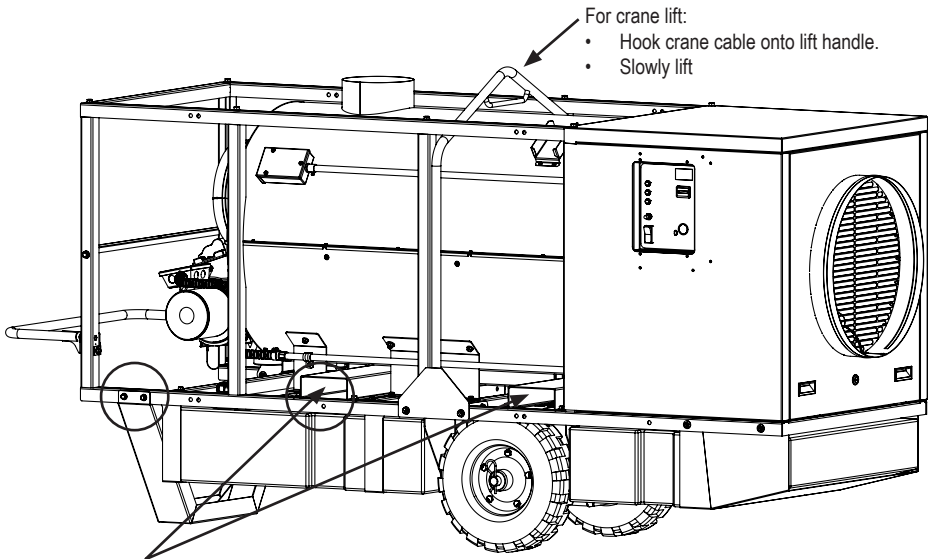


### WARNING

- NEVER transport the heater while it is standing on its end (CI230).
- Ensure the appropriate rated size and weight strap are only used.

Securing the heater onto a trailer or a flat bed.

- Secure the straps to the lowest point on the heater frame. See locations circled below.
- DO NOT over-tighten. Too much pressure could damage your strap or the heater's wheels.
- If you can't fit a finger between the strap and the heater, you probably overtightened.
- DO NOT use the heater's handle as a point of securing the heater to the trailer.



#### CI500 / CI750 ONLY

- For forklift use. Insert the forks here, ensuring both pass completely through the channels.
- Fasten point for securing heater straps to trailer for transport.

## General Installation Instructions



### WARNING

#### Fire and Explosion Hazard

- Before using this heater, please read this USER'S MANUAL very carefully. This USER'S MANUAL has been designed to instruct you as to the proper manner
- In which to maintain, store, and most importantly, how to operate the heater in a safe and efficient manner.
- Never leave the heater unattended while burning!

1. Read all safety precautions and follow L. B. White recommendations when installing this heater. If during installation or relocating of heater, you suspect that a part is damaged or defective, call a qualified service agency for repair or replacement
2. Using a level, make sure the heater is level and properly positioned before use. Observe and obey minimum safe distances of the heater to the nearest combustible materials. Safe distances are given on page 4 of this manual.
3. This heater may be installed either indoors or outdoors. For indoor installations, the heater must be vented to the outside. See installation of inside structure section of this manual.
4. Heaters used in the vicinity of combustible tarpaulins, canvas, plastic, wind barriers, or similar coverings shall be located at least 10 feet/3.05 meters from the coverings. The coverings shall be securely fastened to prevent ignition or upsetting of the heater due to wind action on the covering or other material.
5. Extension cord wire size requirements
  - CI230
    - Up to 50 ft., use 16 AWG
    - 50 ft to 100 ft., use 14 AWG
    - Beyond 100 ft., consult your electrician
  - CI500/CI750
    - Up to 50 ft., use 12 AWG
    - Beyond 50 ft., use 10 AWG
6. When using an external fuel tank, the burner will draw fuel:
  - Up to 10 ft. rise if the tank is located below the heater, or
  - 100 ft. horizontal run if located on the same floor.
7. Light according to instructions on heater or within owner's manual.
8. The heater must be installed so as not to interfere with or obstruct normal exits, emergency exits, doors and walkways.
9. Railing, fencing or suitable substitute materials must be used to keep the heating equipment from any people using and visiting the structure.
10. The heater shall be located so that rain, ice, or snow drainage from the structure does not affect equipment operation. If the heater is mounted outside, it must be mounted above any pooled or standing water. If the unit is to be located on the ground, a surrounding trench is recommended to drain any rain, ice or snow away from the unit.
11. The ground and surrounding terrain must be cleared of any combustible vegetation and other combustible materials when the heater is utilized outside.
12. Eventually, like all electrical/mechanical devices, the thermostat can fail. Thermostat failure may result in an under-heating condition. The thermostat should be tested to make sure it turns the heater on and off within a temperature differential of  $\pm 3^{\circ}\text{F}$  ( $\pm 1.5^{\circ}\text{C}$ ).
13. Any defects found in performing any of the service or maintenance procedures must be eliminated and defective parts replaced immediately. The heater must be retested by properly qualified service personnel before placing the heater back into use.
14. Take time to understand how to operate and maintain the heater by using this Owner's Manual.

## Inside Structure

### **WARNING**

#### Asphyxiation Hazard

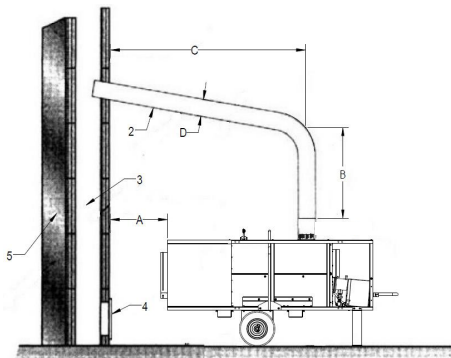
- When installing indoors the heater's exhaust must be vented to the outside.
- Failure to comply can result in asphyxiation due to lack of adequate air supply or carbon monoxide poisoning.
- Carbon monoxide poisoning can lead to serious injury or death.

### **WARNING**

#### Asphyxiation Hazard

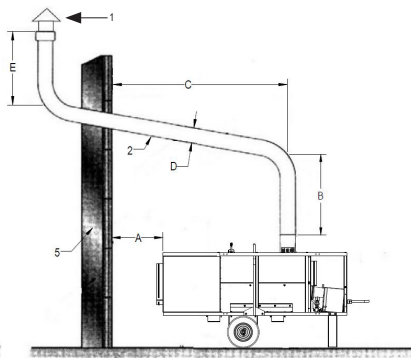
- When this heater is connected to a flue pipe, the flue pipe shall terminate in a vertical section at least two feet long and sufficient draft shall be created to assure safe and proper operation of the heater. A minimum draft of 0.20 in. w.c. is recommended.
- Where back drafts may occur a vent cap should be used on the exit from the flue pipe.
- Horizontal runs of flue pipe should have a rise of 1 in 10 away from the heater.

### IN EXISTING CHIMNEY



- 1) Anti-wind device, optional accessory
- 2) Horizontal crossing with minimal upside angle pitch of 5°
- 3) Chimney 8 in. x 8 in. of minimal inside measure
- 4) Chimney anti-explosion flap door
- 5) External seating wall

### DIRECTLY TO OUTSIDE

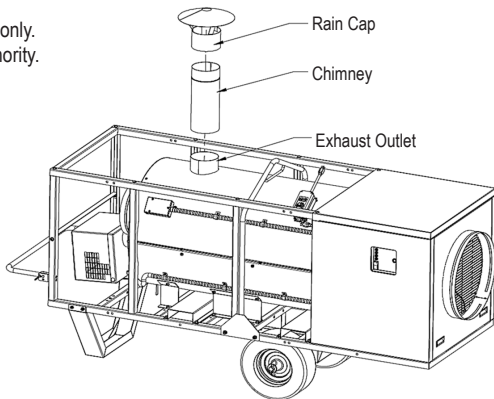


- A. Minimal 3 Ft.
- B. Minimal 3 ft.
- C. Shortest
- D. The same or bigger than the heaters stack outlet diameter.
- E. Minimal 3 ft.

**Note:** The above information is a recommendation only. Have you installation checked by a local authority.

## Outside Structure

To prevent recirculation of flue gas from the exhaust outlet to the heater air inlet, an exhaust stack of 5ft./1.25meter minimum is required to be installed onto the exhaust outlet. To protect against water entry when the heater is installed outdoors, a rain cap is necessary. Optional accessory may be purchased through the L. B. White Co. Rain cap or chimney.



## Chimney/Rain Cap Installation

\*Accessory – must be ordered separately

1. Install rain cap onto chimney.
2. Drill 4 (1/8 in.) holes in a crisscross pattern.
3. Secure the rain cap and chimney with screws supplied in kits.
4. Install the chimney/rain cap assembly onto the heater exhaust pipe.
5. Drill 4 (1/8 in.) holes in a crisscross pattern.
6. Secure the chimney/rain cap assembly with screws supplied in kits.

## Duct Installation

\*Accessory – must be ordered separately

This heater may be ducted using the approved L.B. White distribution devices:

- 12 in. / 30.48 cm dia. x 25 ft / 7.62 m duct per heater outlet. L. B. White part 500-30052. A duct adapter is not required.
- (CI500/CI750), 16 in. / 40.64 cm dia. x 25 ft / 7.62 m duct kit. L. B. White part 500-30076. A duct adapter is required, 500-30902.
- Locate the duct under suitable wind barrier materials for job-site requirements.

Substitute ductwork material is acceptable but must conform to the following requirements.

1. Duct must have a minimum material temperature of 300°F/149°C.
2. Ducting up to 100 ft./30.48 m can be connected to the heater as long as the static pressure does not exceed the dataplate limit. Increased static pressure will reduce flow rate and can cause the high temperature limits to shut the heater down. Bends and kinks in the duct, or duct collapse are all likely to increase static pressure.

3. Alternate 12 in. (30.48 cm) x 25 ft (7.62 cm) duct can be used from the following manufacturer's:
  - Artic Helix - Norseman
  - Artic Econorush - Norseman
  - Hitex Series - NTI Global
  - Ventflex Series - NTI Global

### Installation:

1. Extend duct kit to 25 ft./7.62m. length.
2. Attach one end of the duct to the heater's discharge outlet.
3. Secure duct to heater with clamp as supplied in kit. As shown.



4. Straighten ducts and eliminate any kinks

### Note:

- When using the ducting, ensure that bends in ducts are kept to a minimum. A maximum of two 90° bends is allowed.
- Reducing the number of bends will ensure that the warm air exiting the heater flows freely, thereby preventing overheating. If there are excessive bends, the high limit switches may open.

**Optional:** An air recirculating duct kit with a maximum duct length of 25 ft. / 7.62m may be attached to the heater supply air inlet.

(CI230) 16 in. / 40.6 cm dia. x 25 ft. / 7.62 m  
(CI500/CI750) 20 in. / 50.8 cm dia. x 25 ft. / 7.62 m



## Adjusting to High Elevation

This heater burner air setting is factory set to operate normally at 0-2,000 ft. above sea level. Allowance for elevation must be taken into consideration when operating above 2000 ft. A 1.84% rate reduction for every 1000 feet above sea level is necessary for the heater to operate safely. For service of re-rating the heater, contact:

Beckett Technical Service  
 1-800-645-2876 or  
 Email: techservice@beckettcorp.com

**NOTE:** The firing rate (amount of Btu input) of the burner must be maintained to meet the heating load that the appliance has been sized to meet.

## Thermostat

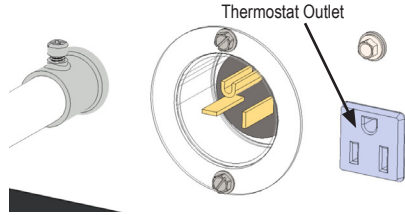
The optional remote thermostat is a fully enclosed NEMA 4X with a single stage temperature adjustment ( $\pm 3^{\circ}\text{F}/\pm 16^{\circ}\text{C}$  degrees). L.B. White part #500-30125.



If a thermostat is not needed or required, select manual setting on the thermostat switch.



If a thermostat is required, lift the thermostat outlet cover and plug the male prong of the thermostat cord to the thermostat outlet of the heater. Select the thermostat setting on the thermostat toggle switch.



### WARNING

- ALWAYS cover the thermostat outlet when not in use.
- DO NOT plug an appliance to the thermostat outlet.
- DO NOT plug an in-line thermostat into the thermostat outlet.

## Priming the Pump

Pump priming is not required nor necessary with the Foreman Oil heater.



The L.B. White Foreman heaters will be either configured from the factory to be L.B. White LINK Ready or Compatible. See the model number on the dataplate to determine if your Foreman heater is either L.B. White LINK Ready or Compatible. If you model design end with the letter "L", then it is L.B. White LINK Ready. If your model design does not end with the letter "L", then it is only L.B. White LINK Compatible. See example below.

<b>L.B. WHITE</b>	Model/Modelo / Modelo <b>CI500BSON42168TL</b>
Serial No./No. de série	
Fuel / Carburant / Combustible Diesel 1 & 2	
Tank Capacity / Capacité Du Réservoir / Capacidad Del Tanque 61 gal / 231 L	
Elevation / Élévation (ft/m) 0 - 2,000 / 0 - 610	
Max Input/ Max D'Entrée/ Max Entrada (kBtu/kW)	500 / 146.5
Firing Rate/ Cadence De Tier / Tasa de disparos (GPH/LPM)	3.6 / 0.23
Nozzle / Bus / Boquilla	2.75 GPHx60B
Electrical / Électrique / Eléctrico (V/A/Hz/Ø)	120 / 14 / 60 / 1
Min. operating temp./Min. température de fonctionnement / Min. temperatura de funcionamiento (°F/°C)	-20 / -28
L.B. White Co., LLC 411 Mason Street Onalaska, WI 54650 USA 1-608-783-5691	

For L.B. White LINK Ready Foreman Oil, order kit number **500-133307**. For L.B. White LINK Compatible Foreman Oil, order kit number **500-133193**.

For more information on the LINK system, contact your local L.B. White Dealers. You may also call the L.B. White Company, LLC at 1-800-345-7200.



## Remote Oil Hook-Up

- **The Foreman 230/500 will require kit 500-131261 to be installed for connection to a remote tank.**
- The Foreman 750 will ship ready for connection to a remote fuel tank. See instructions below.

### Foreman 750 connection to a remote fuel tank.

#### Materials

- Teflon tape (use on all threaded connections)
- Appropriate pipe fittings to adapt to the 3/8 in. NPT female threads on the 3/8 in. black iron tee.

#### Tools

- 5/16 Allen wrench
- Adjustable wrench

#### Connection to a remote fuel tank

- Close the fuel shut off valve from the on board fuel tank.
- Remove the Allen head plug from the 3/8 in. tee.
- Use the appropriate pipe fittings to reduce the remote hose fitting to 3/8 in. NPT threads.
- Install the remote hose fitting to the 3/8 in. tee.
- Check ALL connections for tightness.
- Start the heater and check all connections for leaks. Retighten as necessary to stop any fuel leaks.

#### Using the onboard fuel tank


- All Foreman Oil heaters are shipped ready to operate from the onboard tank.

## Start-Up Instructions

For initial start-up after heater installation, follow steps 1-5. For normal start-up, set the thermostat above room temperature or set thermostat selector switch to the manual position.

1. Follow all ventilation and safety information.
2. Fill tank with fuel.
3. This heater is wired with a ground connection for your protection against electrical shock hazard. The heater must be connected directly to a properly wired and grounded electrical supply. Minimum breaker size: C1230-15 amp, C1500/C1750-20 amp.
4. Set thermostat to desired room temperature or set thermostat selector switch to the manual position.
5. This heater has a rocker style selector switch located on the side of the heater. This switch allows for either heat mode or ventilate mode (no heat).



6. When the switch is set to heat , three status lights will be activated in sequence as specific circuits are checked by the heater controller. If the heater does not light, and a status light is off, refer to the trouble shooting section of this manual.
7. Do not exceed input rating stamped on nameplate or manufacturer's recommended pump pressure for nozzle used. Make certain that the primary air supply to main burner is open and free of dust, dirt and debris for complete, proper combustion.

### A. Heating Mode Operation

When the selector switch is positioned to heat and the thermostat is calling for heat, a set of green lights will illuminate (power ON and thermostat ON). The burner fan motor will pre purge for 45 seconds. After the burner fan has pre purged, the igniter will spark and ignition will occur. The main blower has a time delay of 30 seconds before operation. The thermostat will cycle the heater ON or OFF based upon temperature setting. The high limit LED will flash during pre/post purge cycle.

**Note:** When the thermostat cycles the heater off or selector switch is switched to OFF, the main fan motor will continue to run for an additional 3 minutes to cool down the heat exchanger.

### B. Vent Mode Operation

When the selector switch is positioned to vent, only the fan motor light will illuminate. The fan motor will start, but the burner motor will not, nor will ignition occur. This feature is used typically when heat is not needed, but air circulation is required. The heater will not cycle on its thermostat setting. To discontinue the ventilation feature, position the switch to midpoint O or heat. If you desire to use the ventilation feature, the fuel source is not needed.

### C. Off O

Position the switch to midpoint O

## Safety Lock-Out

This heater is equipped with the Beckett GeniSys Advanced Burner Control. The GeniSys is used with a suitable cad cell flame sensor to control the oil burner motor, igniter, and oil solenoid valve.

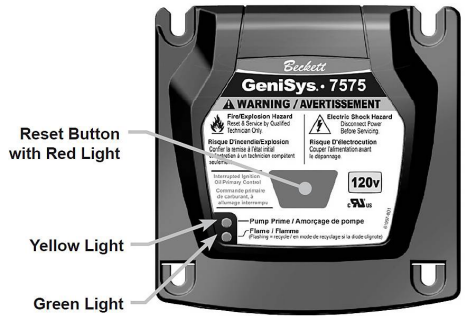
- The GeniSys Burner controller has one ignition trial. If ignition is not achieved, the GeniSys burner control will enter a "soft lock-out" mode.

Soft lockout – the control has shut down for one of the following safety reasons:

- The trial for ignition fail.
- The cad cell did not detect flame.
- Flame is lost during ignition trial.
- Burner control will retry ignition in 60 seconds.

### TO RESET THE CONTROL BOX

Push the reset button on the GeniSys controller for 1-second and verify the red light in the reset button shut off.



### DIAGNOSTICS MODE

Status lights

Light Color	Solid	Flashing
Red	Hard lockout (1)	Soft lockout (2)
Green	Normal operation	Recycle (3)
Yellow	Pump prime mode (4) or reset button held for 15+ seconds	N/A

- (1) Recurrence of a soft lockout- to reset, push and hold the reset button for 15 seconds until the yellow light turns on.
- (2) Ignition failure, cad cell did not detect flame, or flame lost- to reset, push and release the reset button.
- (3) Control has entered a 60 second delay, and will repeat the ignition sequence.
- (4) Purging air out of the fuel line.

The controller will only provide the diagnostics when the selector switch is set to HEAT

- It is normal for air to be trapped in the fuel line on new installations. The heater may require several trials for ignition before air is finally purged from line and ignition takes place.

## Shut Down Instructions

If the heater is to be shut down for cleaning, maintenance, or repair, follow steps 1-3. Otherwise, simply adjust thermostat to "Off" or "No Heat" or put the HEAT/VENT switch to the OFF position.

1. Turn thermostat dial to lowest temperature setting.
2. Allow heater to perform its post purge cool down mode.
3. Unplug cord from outlet.

DO NOT DISCONNECT THE ELECTRICAL SUPPLY UNTIL THE MAIN FAN MOTOR HAS CYCLED OFF FROM COOLING THE HEAT EXCHANGER

**Note:** During normal operation, if either the thermostat cycles the heater off or the selector switch is put in the OFF position, the main fan motor will continue to operate. This is the cool down post purge of the heat exchanger. The high limit LED will flash during this process. After 3 minutes of post purge, the heater will shut-off.

## Cleaning Instructions

### WARNING

#### Fire, Burn, and Explosion Hazard

- This heater contains electrical and mechanical components in the gas management, and safety systems.
- Such components may become inoperative or fail due to dust, dirt, wear and aging.
- Periodic cleaning and inspection as well as proper maintenance are essential to avoid serious injury or property damage.

1. Before cleaning, disconnect electrical supply.
2. The heater should have dirt or dust removed periodically:
  - a. Before each use give the heater a general cleaning using compressed air or a soft brush or dry rag on its case and internal components. At this time, dust off the motor case to prevent the motor from overheating.

- b. At least once a year, give the heater a thorough cleaning. At this time, remove the fan wheel assembly and brush or blow off and dust that may have accumulated on the fin. Additionally, make sure the burner air inlet is free of dust accumulation.

### WARNING

#### Fire, Burn, and Explosion Hazard

- Do not use a pressure washer, water, or liquid cleaning solution on any gas controls. Use of a pressure washer, water or liquid cleaning solution on the control board components can cause severe personal injury or property damage due to water and or liquids.
- In electrical components and wires causing electrical shock or equipment failure.

Clean all components of the heater with pressurized air, a dry brush, or a dry cloth.

## Maintenance Instructions

### BEFORE EACH USE:

- Check the area surrounding the heater to ensure it is clear and free of combustible materials, gasoline, and other flammable vapors and liquids.
- At the installation, ensure the flow of combustion and ventilation air is not obstructed.
- Check all wiring associated terminals and electrical components within the heater for corrosion, frayed or cut insulation, tight connections, etc. Repair or replace as necessary.
- Review all heater markings (i.e. wiring diagram, warnings, start-up, shut-down, troubleshooting, etc.) at the time of maintenance for legibility. Make sure none are cut, torn, or otherwise damaged. Any damaged markings must be replaced immediately by contacting the L.B. White Co., LLC Data plate, startup and shut-down instructions and warnings are available at no cost. A nominal charge will be applied for wiring diagrams.
- Check the main fan drive belt. Make sure the belt is not cracked. If so, replace it. Additionally, ensure the belt is not slipping, and pulleys are properly aligned and not worn.
- Check air gate adjustment.
- Inspect all fuel supply lines for cracks, abrasions, or ruptures. Replace if needed.
- Clean and check the igniter and cad cell annually.
- Test the high limit heat switches to ensure proper function before each use. (see instructions in the service section of this manual)

- Flush the fuel tank after every 50 hours of operation or as needed.
- Replace fuel filter every six months of normal usage.
- Fuel filter lines should be checked and tightened before each use.
- Fan wheel and belt should be clean and check before each use.
- The air passages around the heat exchanger should be check each season for dirt and debris.

### Storage

Before storing the heater for an extended period of time, drain the fuel from the fuel filters, fuel lines, pump, and the remote hook-up, if equipped.

1. Remove drain plug and drain the fuel from the tank. Replace drain plug.
2. If any debris is noted in the old fuel, add 1 or 2 quarts of clean fuel to the tank, stir, and drain the tank again. This will prevent debris from clogging filters during future use.
3. Starts the heater (see Start Up instructions) to burn remaining fuel in the lines. Once remaining fuel has been burn, shut the heater OFF (see Shut Down instructions) and allow the heater to cool completely.
4. Properly dispose of old and dirty fuel.
5. Store heater in a dry location. Make sure storage place is free of dust and corrosive fumes."

Do not store unused fuel over summer months for use during next heating season. Using old fuel could damage heater.

### WARNING

#### Tipping Hazard (CI230)

- **DO NOT** stand the heater upright with fuel in its tank.
- Heater must be store on a solid, stable, level surface.
- Failure to follow these warnings can result in serious injury or death.

## Service Instructions

### WARNING

#### Burn Hazard

- Heater surfaces are hot for a period of time after the heater has been shut down.
- Allow the heater to cool before performing service, maintenance, or cleaning.
- Failure to follow this warning will result in burns causing injury.

### WARNING

#### Fire and Explosion Hazard

- Do not disassemble or attempt to repair any heater components.
- All component parts must be replaced if defects are found.
- Failure to follow this warning will result in fire or explosions, causing property damage, injury, or death.

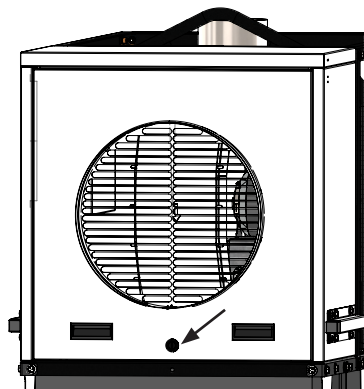
1. Disconnect the electrical supply before servicing unless necessary for your service procedure.
2. Clean the heater's nozzle with compressed air or a soft, dry rag. Do not use files, drills, broaches, etc. to clean the nozzle hole. Doing so will enlarge the hole, causing combustion or ignition problems. Replace the nozzle if it cannot be cleaned properly.
3. The high limit switches, HEAT/VENT switch, and thermostat can be tested by disconnecting the leads at the component, and jumpering the leads together:
  - Reconnect the electrical supply and open fuel supply valves.
  - If the heater lights, the component is defective and must be replaced.
  - Do not leave the jumper on or operate the heater if the part is defective. Replace the part immediately.
  - An alternate method for checking the components is to perform a continuity check.
4. Open or remove the respective case panel for access to fan related components.
5. For reassembly, reverse the respective service procedure. Ensure all fuel connections are tightened securely.
6. After servicing, start the heater to ensure proper operation.

7. If any fan keys are lost during service, replacements are easily made by using 3/16 square x 1 in. bar stock.

## Drive Components

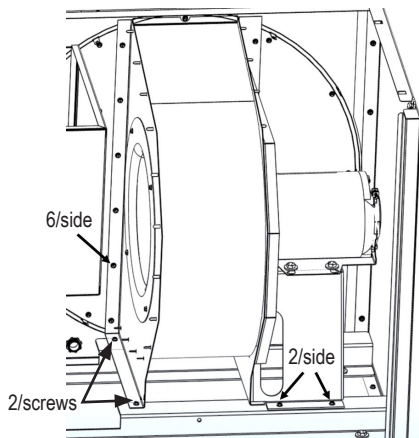
To access the blower motor, fan drive components, and its electrical control.

- Remove rear panel by unlatching (CCW) the lock and pulling the panel out.
- Unlatch the top panel from within the heater and pull the top panel toward the rear to unlock the tabs.
- Remove the top panel.



### CI230 Fan Housing and Motor Assembly

1. Disconnect the motor wiring from the control board.
2. Remove all screws securing the fan housing to the heat exchanger and the housing mounting bars.

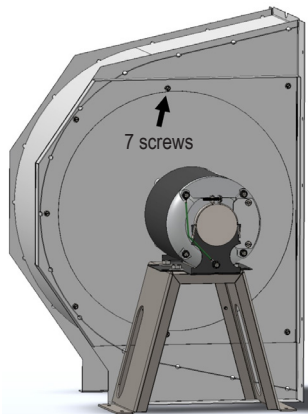


3. Remove the fan housing/motor assembly.

## Blower Motor/Fan Wheel Removal

### Fan Wheel

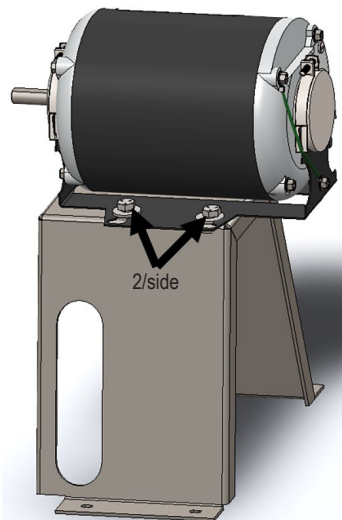
1. Remove all screws securing the motor mount plate.



2. Remove the motor/fan wheel assembly from the fan housing.
3. Loosen the two 3/16 Allen key securing the fan wheel to the motor shaft.
4. Remove the fan wheel.

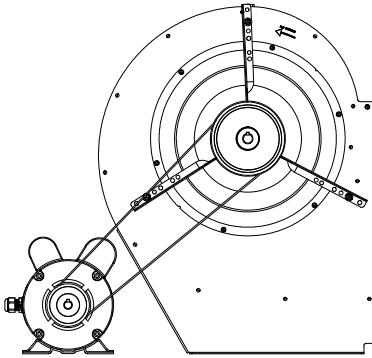
### Motor

1. Follow the fan wheel removal procedure.
2. Remove the four hex head bolt securing the motor to the motor bracket.

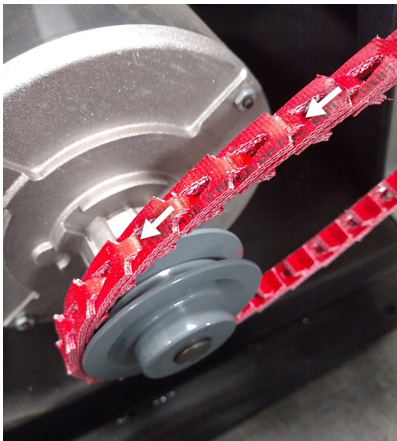


3. Remove motor.

**CI500 / CI750  
Belt Replacement**

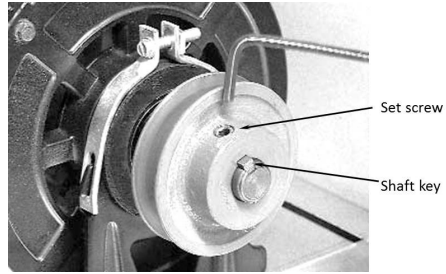


1. Carefully remove belt from pulley.
2. Check the fan and motor pulley grooves for dirt, clean the pulleys if needed.
3. Install new belt. Ensure belt is installed as shown below. See directional arrow on belt.



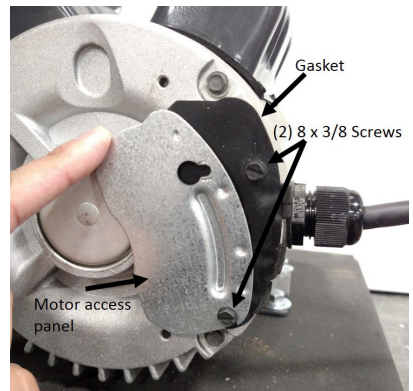
**Fan and Motor Pulleys**

1. Remove belt from pulleys. See Belt Replacement.
2. Loosen allen screw on fan and motor pulleys.
3. Remove pulley and key from fan shaft and motor.
4. When installing new pulley, use a straight edge, check motor and fan pulley alignment. Contact must be made at edges of both pulleys.

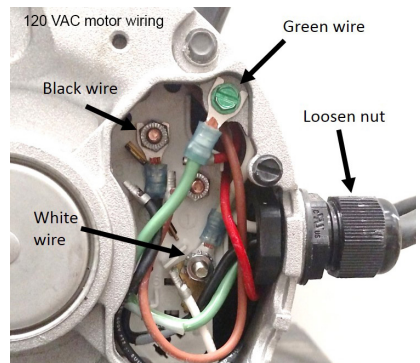


**Fan Motor**

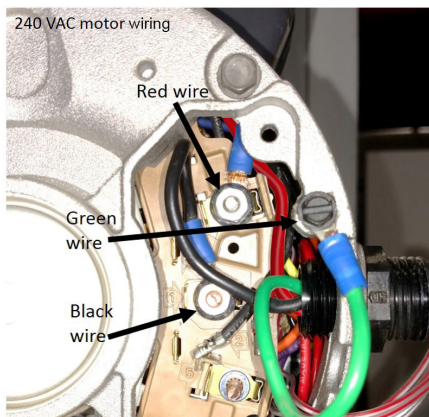
1. Loosen electrical supply access panel screws on motor
2. Remove access panel and gasket



3. Disconnect power supply wire.





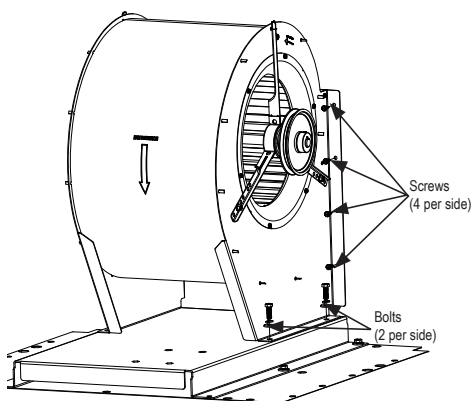


4. Removed the four bolts using a 1/2 inch open ended wrench.

- Ensure motor and fan pulleys are properly aligned when reinstalling.
- Motor bearings are permanently lubricated.

### Fan Housing Removal

1. Remove fan belt. See belt replacement procedure.
2. Remove fan motor. See fan motor section.
3. Locate and remove the four bolts at the base of the fan housing. See below.
4. Locate and remove the eight sheet metal screws. See drawing below.
5. Pull fan wheel housing out.



### Fan Wheel Replacement

1. Remove the fan belt. See Belt Replacement Procedures.
2. Remove the fan shaft pulley. See Fan and Motor Pulleys Procedures.
3. Loosen all allen set screws on the fan shaft, including the set screw on the fan wheel hub.
4. Pull the fan shaft through the fan wheel and bearing mount brackets.
5. Lower the fan wheel to get access to the bearing mount bracket nuts behind the fan housing side.
6. Remove fan housing ring screws.
7. Remove fan wheel.

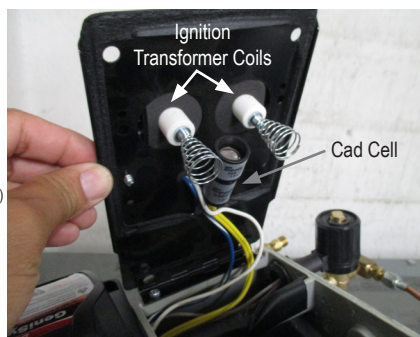
NOTE: When installing new fan wheel, ensure the fan wheel hub is on the same side as the motor pulley.

### Burner Components

#### **⚠ WARNING**

##### **Burn or Fire Hazard**

- Never service heater while it is plugged in.
- Allow the heater to cool before performing service, maintenance, or cleaning.
- Failure to follow this warning will result in burns causing injury.
- Do not attempt to install, repair, or service this heater unless you have continuing expert training and knowledge of liquid fuel heaters



CI500/CI750 Motor Overload Reset Button



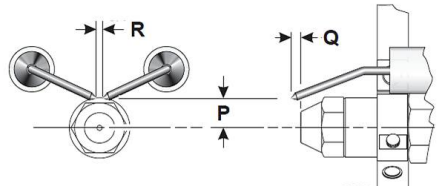
Overload Reset Button

**⚠ WARNING**

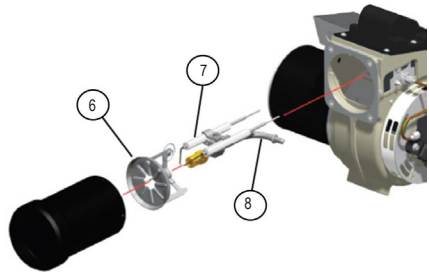
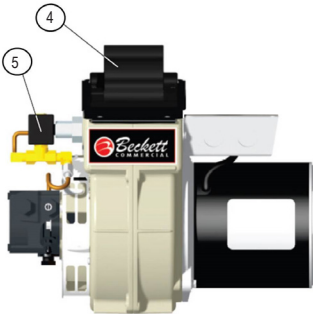
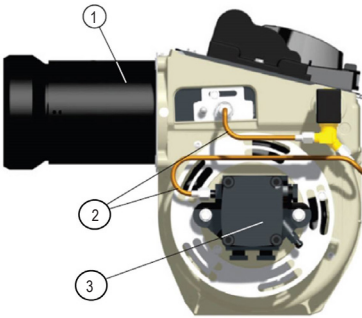
**Electrode Specifications**

- Failure to properly maintain these specifications could cause ignition malfunction, puff-back of hot gases, heavy smoke, asphyxiation, explosion and fire hazard.

Adjust the electrode gap and position in relation to the nozzle to the following specifications.



	CI230	CI500 / CI750
P	1/4"	3/16"
Q	1/8"	1/4"
R	5/32"	3/16"



- Air tube
- Fuel lines
- Fuel pump
- Ignition transformer
- Oil solenoid valve\*
- Head assembly
- Electrode assembly
- Nozzle line assembly

\*Not available on the CI230 model



## High Limit Switches

### **⚠ WARNING**

#### **Fire Hazard**

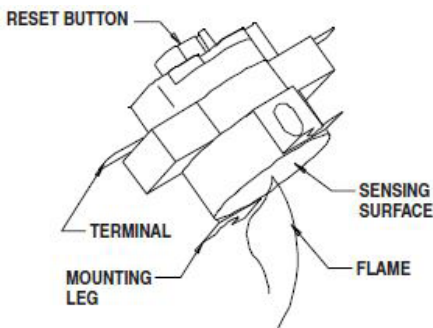
- Do not operate the heater with either of the high limit switches bypassed.
- Operating the heater with a bypassed high limit switch may lead to overheating, possibly resulting in a fire, with subsequent damage to the heater or property damage.

This heater is equipped with two limit switches. One is manual reset; the other is an auto-reset. The switches are located on the side of the heater.



Both high limit switches should be tested a minimum of once per year when the heater is given a thorough cleaning.

1. Remove the high limit switch.
2. Apply a small flame only to the sensing portion on the back of the switch.



Be careful not to melt the plastic housing of the switch when conducting this test.

3. Within a minute, you should hear a soft click, indicating the contacts of the switch have opened.
4. **MANUAL RESET SWITCH:** Allow the switch to cool for about a minute before firmly pressing its reset button. **AUTO RESET SWITCH:** Allow the switch to cool for about a minute. No need to reset.
5. Check for electrical continuity across the switch terminals to make sure the contacts have closed.

## Pump Pressure Checks

### **ATTENTION:**

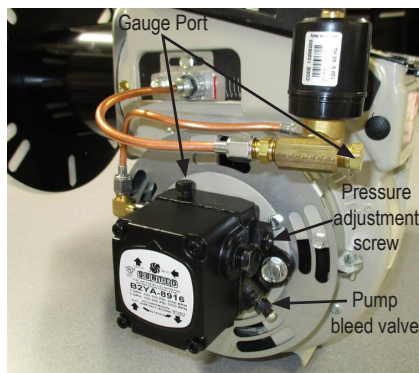
Consult the data plate on the heater or page 4 in this manual for specific pressures to be used.

1. Connect the oil pressure gauge to the gauge port on the pump. See gauge port for C1230 below, C1500/ C1750 on page 22.
2. Start heater
3. Allow motor to reach full speed.
4. Adjust pressure (using flat blade screwdriver).
5. Turn relief valve clockwise to increase pressure.
6. Turn relief valve counter clockwise to decrease pressure.
7. Set pump pressure to correct pressure as indicated on heater nameplate.
8. Stop heater.
9. Remove pressure gauge and plug fuel pump port.

### **C1230 Gauge Port**



## C1500/C1750 Gauge Port



## Troubleshooting Guide

**READ THIS ENTIRE SECTION BEFORE BEGINNING TO TROUBLESHOOT PROBLEMS.**



### WARNING

- This heater can start at any time.
- Troubleshooting this system may require operating the unit with line voltage present and fuel.
- Use extreme caution when working on the heater.
- Failure to follow this warning may result in property damage, personal injury or death.

The following troubleshooting guide provides procedures for isolating equipment problems. This guide is intended for use by a QUALIFIED HEATER SERVICE PERSON. DO NOT ATTEMPT TO SERVICE THESE HEATERS UNLESS YOU HAVE BEEN PROPERLY TRAINED. TEST EQUIPMENT REQUIRED:

- Digital Multimeter - for measuring AC voltage and resistance
- High Pressure Gauge - for checking pump pressure against dataplate rating.

#### Before Starting:

- Visually inspect equipment for apparent damage.
- Check all wiring for loose connections and worn insulation.

Components should be replaced only after each step has been completed and replacement is suggested. Refer to the Servicing sections as

necessary to obtain information on disassembly and replacement procedures of the component once the problem is identified. Refer to the system operation sequence in this section to gain an understanding as to how the equipment operates during a call for heat. Understanding the sequence of operation of the ignition module and related components is essential as it will relate directly to problem solving provided by the charts.

#### OPERATION SEQUENCE:

- Line voltage connected to heater power receptacle.
  - Volt meter display line voltage
- Line voltage is sent to:
  - Selector switch terminal 2
  - Main motor relay terminal 2
  - Heater control terminal "L1"
- Selector switch set to heat mode.
  - Line voltage sent to thermostat outlet.
- Thermostat calls for heat or Thermostat switch set to manual.
  - Thermostat selector switch sends voltage to terminal "W" of heater control.
  - Thermostat LED activated indicating a call for heat.
  - Line voltage is sent from heater controller "PSO" to manual reset high limit.
  - Line voltage returned to "PSI" on heater control.
  - Line voltage is sent to burner control.
  - Burner motor starts.
  - High limit LED Flashes
- 45 seconds after Burner control receives power.
  - Ignition occurs
- 30 second after ignition occurred, line voltage is sent from "IND" to main motor relay terminal 0.
  - Relay closes, Main motor is energized.
- Main motor LED comes on.
  - Limit/Purge LED stop flashing
- Thermostat opens once heat demand is satisfied.
  - Thermostat LED off
  - Burner control shuts off oil solenoid valve.
  - Burner motor will continue to operate for a short period
- Main motor continue to receive line voltage (post-purge) for 180 seconds.
  - Limit LED flashes
- After 180 seconds, heater control de-energized blower motor
  - Limit LED off
  - Main motor LED off

## Fan Drive Components Troubleshooting

### CI500 / CI750 Models

Problem	Cause	Solution
<b>Belt slips</b>	Pulleys worn (Belts bottoming out in grooves)	Replace pulleys
	Oil or grease on belt	Clean pulleys or belt.
<b>Belt Breaks</b>	Improper belt installation Belt pried over pulleys using sharp or pointed tools.	Install new belt properly.
<b>Belt Jumps Sheave Grooves</b>	Drive misaligned	Check and realign
	Dirt entering pulleys	Remove belt, clean the pulleys
<b>Belt Cracking</b>	Dirt or grease on belt or aged belt	Remove dirt or replace belt.
<b>Belt wearing rapidly</b>	Worn pulleys	Replace pulleys
	Dirt in pulleys	Remove dirt

## Heating Mode Troubleshooting

Problem	Solution
Voltmeter, Thermostat, Main Motor, and High Limit LED's are ON	Check manual high limit switches, reset or replace.
Voltmeter and Thermostat LED's are ON, but burner motor will not start.	Check Cad Cell, clean or replace
	Check auto high limit switch
Only the voltmeter is ON	Thermostat is below set point, adjust thermostat setting or thermostat selector switch is set to thermostat
Voltmeter, Thermostat, and Main Motor LED's are ON, but blower motor will not start.	Blower motor defective, replace motor
	Faulty heater controller
	Bad relay
Solenoid will not open	Check for power to solenoid
	Defective solenoid, replace

## Heating Mode Troubleshooting (cont.)

Problem	Solution
Solenoid opens, but fuel oil not detected or ignited	Open all manual shut-off valves
	Check pump pressure
	No fuel
	Defective pump coupler
Solenoid opens, fuel is detected, but no ignition	Check ignition transformer springs
	Check igniter gap
	Defective ignition transformer
Ignition occurs, then goes out	Check cad cell for defect or crack
	Check cad cell connection
	Check cad cell location
	Ground fault issue
	Improper electrical wire gauge size
Burner motor operated then shut off	Motor overload switch trip
	Auto high limit switch trip
	Defective Main Burner Relay
Burner motor hums	Motor lockup
	Fan wheel binding
	Improper voltage
Burner motor does not come ON	Check burner motor wire connection
	Auto high limit switch trip
	Burner motor overload switch trip
	Defective Main Burner Relay
	Cad cell detecting lights

\* Disconnecting power to burner circuit board controller will not reset burner controller.

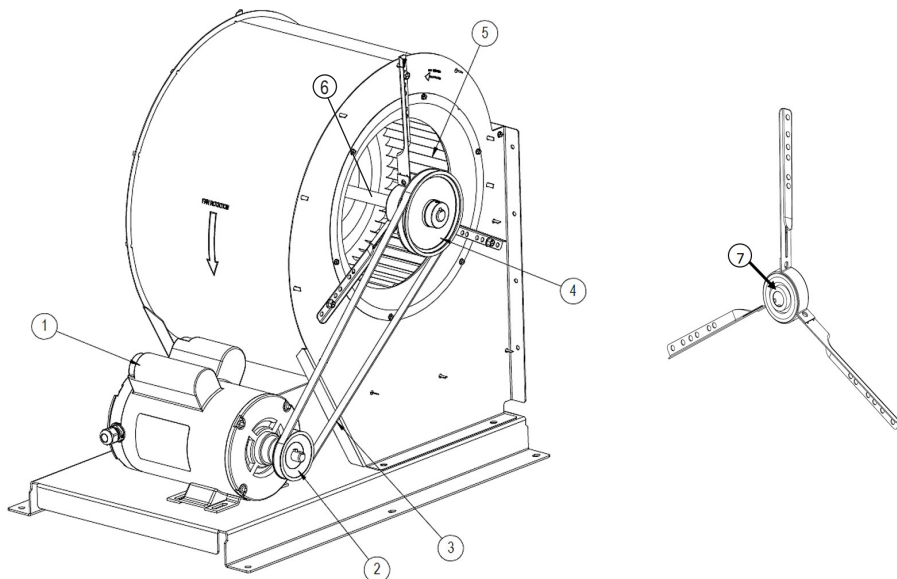
## Ventilation Mode Troubleshooting

Problem	Solution
Blower motor does not run	Check for voltage to blower motor
	Bad motor relay
	Bad electrical connections
Blower motor "hums," but does not run	Check for binding fan, or defective capacitor



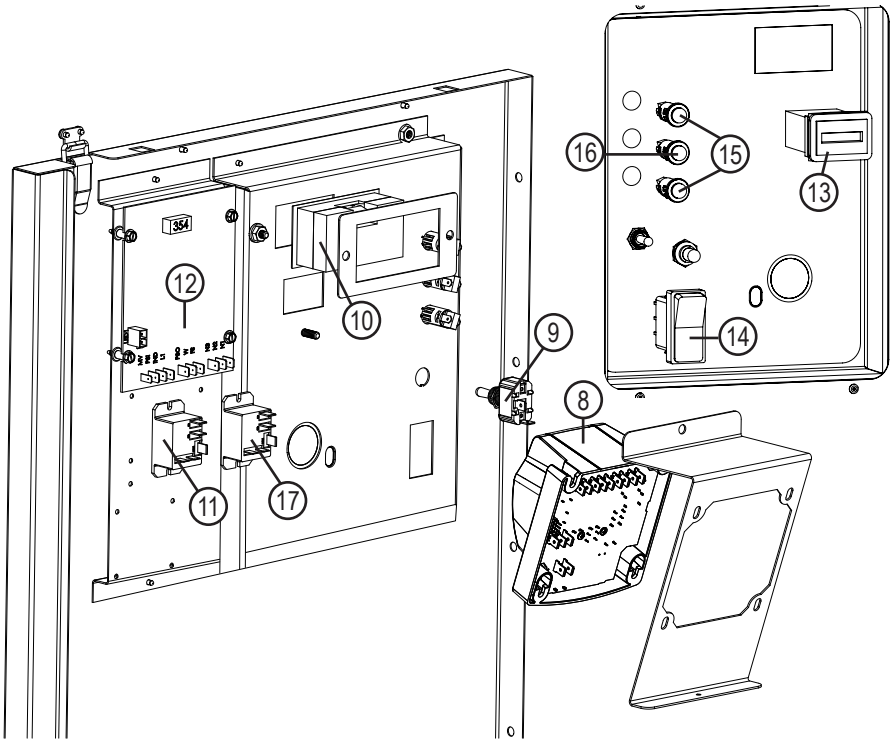
## Parts List - Blower Motor / Fan Wheel

### CI500 / CI750 Blower Configuration Shown



Item	Description	CI230	CI500	CI750
1	Motor	574120	573565	573686
2	Pulley, Motor	--	573569	573683
3	Belt, Power Twist, A/13/4L, 64 Links	--	573552	574164
4	Pulley	--	573573	573684
5	Wheel, Fan	574123	573581	573694
6	Shaft, Fan Assembly	--	573572	
7	Bearing, Rubber Cartridge	--	573696	

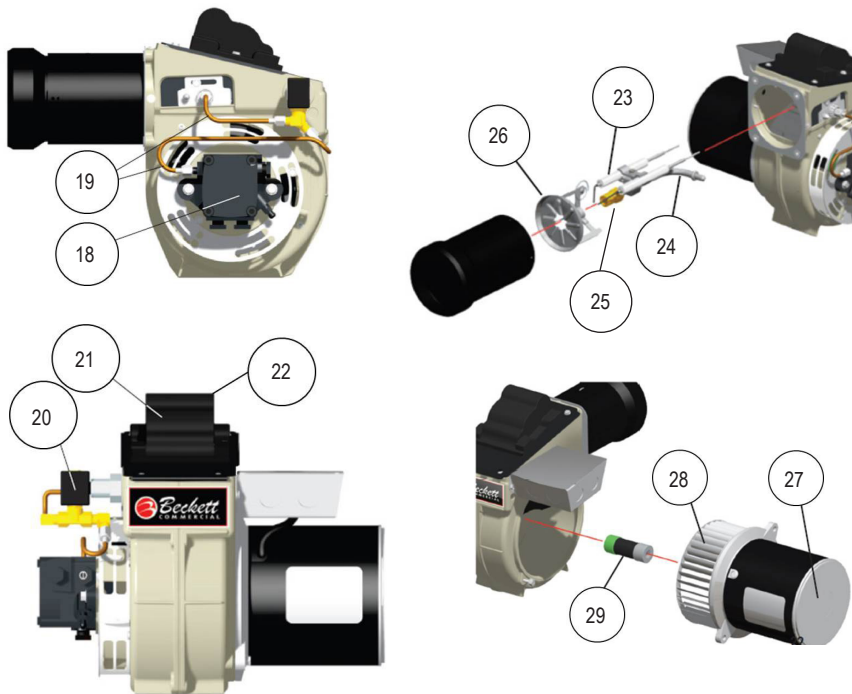
## Parts List - Control Box



Item	Description	CI230	CI500	CI750
8	Controller, Burner GeniSys 7575		573649	
9	Toggle, Switch with boot		571907	
10	Voltmeter		573947	
11	Relay, 120VAC Coil	574253		570221
12	Control, Construction		573553	
13	Hourmeter		574121	
14	Switch, Rocker, DPDT		574122	
15	LED, Snap-in, Green, 120V, Flush Lens		573770	
16	LED, Snap-In, Red, 120V		573564	
17	Relay, 120VAC Coil		574253	

## Parts List - Burner Components

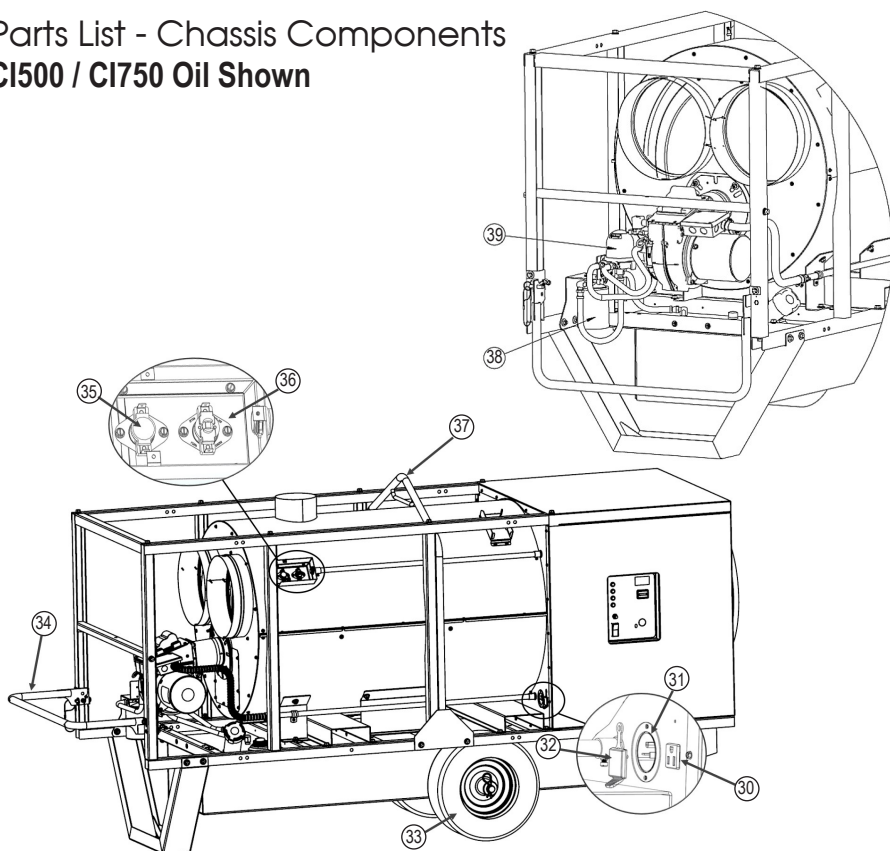
### CI500 / CI750 Burner Shown



Item	Description	CI230	CI500	CI750
18	Fuel Pump	574134		573645
19	Fuel Line	574137		573646
20	Oil Solenoid Valve	--		573647
21	CAD cell (not shown)		573658	
22	Ignition Transformer	574135		573648
23	Spark Plug Igniter		573650	574185
24	Tube, Fuel Assembly with Nozzle	--	573651	573714
25	Nozzle	574179	574060	573752
26	Head Assembly	--		573652
27	Motor, Burner	574131		573653
28	Wheel, Fan	574132		573654
29	Coupling, Pump	574136		573655



## Parts List - Chassis Components C1500 / C1750 Oil Shown



Item	Description	C1230	C1500	C1750
30	Receptacle, NEMA, AC female, snap-in		573570	
31	Inlet, Flanged, Straight-Blade, Electrical	574125	574126	574127
32	Cover, Electrical Outlet		574138	
33	Wheel	573991		573581
34	Handle, lifting, rear	574428		573560
35	Switch, limit, burner, auto reset	573575		573660
36	Switch, high limit, manual, 250°F		571671	
37	Handle, lifting bale	574139		573561
38	Filter, fuel		573662	
39	Remote Oil Hook-Up		500-131261*	573747
40	Thermostat w/ 25 FT. cord* (Not Shown)		500-30125*	

\*Accessory - must be ordered separately

## Manual Rev./Changes

Date	Rev.	Revision Change	Description
10/25/2021	B	No	UL File was 733-1993 (R2013)
11/4/2021	B	No	Report No. was 0545GH002S
2/15/2022	B	No	Updated tank capacity
9/6/2022	B	No	Added installation notice
9/27/2022	B	No	Changed to sliding handle & added LINK information
10/17/2022	B	No	Updated Moving / Transport instructions.
11/18/2022	B	No	Added burner motor post-purge statement
1/3/2023	B	No	Rotated the Foreman 230 lifting handles from rear to front
6/27/2023	B	No	Updated voltage spec. from 220/60/1 to 240/60/1
8/23/2023	B	No	Corrected Foreman 230 starting amp draw, was 33 amp



# Warranty Policy

## HEATER

L.B. White Co., LLC warrants that the component parts of its heater are free from defects in material and workmanship, when properly installed, operated, and maintained in accordance with the Installation and Maintenance Instructions, safety guides and labels contained with each unit. If, within 24 months from the date of purchase by the end user, any component is found to be defective, L.B. White Co., LLC will at its option, repair or replace the defective part or heater, with a new part or heater, F.O.B., Onalaska, Wisconsin. Registering your product online with L.B.White will automatically qualify a unit and its component parts for warranty consideration. If a product has not been registered with L.B.White, a copy of the bill of sale will be required to establish warranty qualification. If neither is available, the warranty period will be 24 months from date of shipment from L.B. White.

## PARTS

L.B. White Co., LLC warrants that replacement parts purchased from the company and used on the appropriate L. B. White equipment are free from defects both in material and workmanship for 12 months from the date of purchase by the end user. Warranty is automatic if a component is found defective within 12 months of the date code marked on the part. If the defect occurs more than 12 months later than the date code but within 12 months from the date of purchase by the end user, a copy of a bill of sale will be required to establish warranty qualification.

The warranty set forth above is the exclusive warranty provided by L.B. White, and all other warranties, including any implied warranties or merchantability or fitness for a particular purpose, are expressly disclaimed. In the event any implied warranty is not hereby effectively disclaimed due to operation of law,

such implied warranty is limited in duration to the duration of the applicable warranty stated above. The remedies set forth above are the sole and exclusive remedies available hereunder. L.B. White will not be liable for any incidental or consequential damages directly or indirectly related to the sale, handling or use of the equipment, and in any event L.B. White's liability in connection with the equipment, including for claims based on negligence or strict liability, is limited to the purchase price.

Some states do not allow limitations on how long an implied warranty lasts, so the above limitation may not apply to you. Some states do not allow the exclusion or limitation of incidental or consequential damages, so the above limitation or exclusion may not apply to you. This warranty gives you specific legal rights, and you may also have other rights which vary from state to state.

To register your product and ensure full warranty, go to [http://www.lbwhite.com/customer\\_care\\_center/product-registration/](http://www.lbwhite.com/customer_care_center/product-registration/). Please have the serial number(s) and model(s) handy for the products you are registering.

## Service

Contact your local L.B. White dealer for replacement parts and service. You may also call the L.B. White Co., LLC at 1-800-345-7200, for assistance, or email us at [customerservice@lbwhite.com](mailto:customerservice@lbwhite.com).

Be sure that you have your heater model number and configuration number when calling.



**WORLD PROVIDER - INNOVATIVE  
HEATING SOLUTIONS**

411 Mason Street, Onalaska, WI 54650

800-345-7200 • 608-783-5691

608-783-6115 (fax)

**[www.lbwhite.com](http://www.lbwhite.com)**



## Foreman Calefactor con encendido a fuel oil indirecto canalizable

<b>CI230</b>	230.000 Btu/h / 67,4 kW
<b>CI500</b>	500.000 Btu/h / 146,54 kW
<b>CI750</b>	750.000 Btu/h / 219,8 kW

#1 / #2 Aceite Combustible

Para ver este manual en línea, visite [www.lbwhite.com](http://www.lbwhite.com)

### Atención

Este calefactor ha sido probado y evaluado por OMNI Test Laboratories según los requisitos de las normas CSA B140.8-1967(2015) y UL 733-2019 y está clasificado y aprobado como calefactor de aire forzado con encendido a fuel oil indirecto, canalizable, para aplicar a la calefacción transitoria de edificios en construcción, en renovación o reparación. SI TIENE PREGUNTAS SOBRE SU APLICACIÓN O INSTALACIÓN, CONSULTE AL ORGANISMO LOCAL DE SEGURIDAD CONTRA INCENDIOS, SU PROVEEDOR DE COMBUSTIBLE, O A LA COMPAÑÍA L.B. WHITE.

[www.lbwhite.com](http://www.lbwhite.com)



Informe N° 0545HH002S



### ¡Felicitaciones!

Acaba de comprar el mejor calefactor circulante disponible. Su nuevo calefactor L.B. White incorpora los beneficios del más experimentado fabricante de productos de calefacción con tecnología de avanzada.

En L.B. White, le agradecemos la confianza depositada en nuestros productos y serán bien recibidos los comentarios y las sugerencias que pueda tener. Llámenos a nuestra línea gratuita al 1-800-345-7200.

### AVISO

Las instrucciones de instalación aquí contenidas son las de L.B. White Co., LLC. sugirió recomendaciones y pautas para la instalación temporal o permanente de L.B. White Co. LLC. calentadores. Los requisitos de los códigos eléctricos y de seguridad locales, estatales y estatales reemplazan estas pautas.

CONSULTE LAS  
INSTRUCCIONES  
DE ARMADO  
EN EL INTERIOR

Consulte la información importante sobre elevación en la portada interna.



### ESCANEE ESTE CÓDIGO

con su teléfono inteligente o visite <http://goo.gl/nvneR> para ver los videos de mantenimiento de los calefactores L.B. White\*.

\* Requiere una aplicación como QR Droid para Android o para iPhone

PROVEEDOR MUNDIAL; SOLUCIONES CLIMÁTICAS INNOVADORAS

411 Mason Street, Onalaska, WI 54650 • 800-345-7200 • 608-783-5691 • 608-783-6115 (fax) • [www.lbwhite.com](http://www.lbwhite.com)

## ÍNDICE

Especificación.....	4
Información general y precauciones de seguridad.....	5
Mover / transportar el calentador.....	8
Instrucciones generales de instalación.....	9
L.B. White LINK.....	12
Instrucciones de puesta en marcha.....	13
Bloqueo de seguridad.....	14
Instrucciones de apagado.....	15
Instrucciones de limpieza / mantenimiento.....	15
Instrucciones de servicio.....	16
Guía de resolución de problemas.....	22
Diagrama de cableado eléctrico / escalera.....	26
Lista de piezas.....	27
Política de garantía.....	33



### ADVERTENCIA

Los productos se fabrican para que funcionen a óptima eficiencia a elevaciones de entre 0 y 2000 pies sobre el nivel del mar.

Si se lo hace funcionar a elevaciones mayores, no funcionará correctamente y puede resultar inseguro.

Puede haber disponibles productos que aseguren un funcionamiento adecuado a otras elevaciones.

Si necesita un producto para grandes elevaciones, no lo especificó al pedirlo o la caja en la que vino esta unidad no tiene una etiqueta adhesiva de designación de altitud alternativa, comuníquese con el servicio técnico.

**ADVERTENCIA GENERAL**

Si no se contemplan las precauciones e instrucciones suministradas con este calefactor, se puede producir:

- La muerte
- Quemaduras o lesiones graves
- Daños o pérdidas materiales por incendio o explosión
- Asfixia debido a la falta de un suministro de aire adecuado o envenenamiento por monóxido de carbono
- Descarga eléctrica
  - Lea detenidamente este manual del usuario antes de instalar o de usar este calefactor.
  - Solo debe reparar o instalar este calefactor personal de mantenimiento con la capacitación adecuada.
  - Guarde este manual del usuario para consultar y usar en el futuro.
  - Los manuales del usuario y las etiquetas de repuesto se entregan sin costo. Para obtener asistencia, contáctese con L.B. White al 800-345-7200.

**ADVERTENCIA**

- Mantenga los materiales combustibles lejos de este calefactor.  
Distancia de seguridad mínima  
Salida 6 pies (1,83m) Lados: 1 pie (0,30m)  
Arriba y atrás: 3 pies (0,91m)
- NUNCA use combustibles lejos de este calefactor.  
Distancia de seguridad mínima  
Salida 6 pies (1,83m) Lados: 1 pie (0,30m)  
Arriba y atrás: 3 pies (0,91m)
- NUNCA use combustibles como gasolina, benceno, disolventes u otros compuestos del petróleo en este calefactor (RIESGO DE INCENDIO O EXPLOSIÓN).
- NUNCA use este calefactor donde haya vapores inflamables.
- NUNCA vuelva a llenar el tanque de combustible del calefactor si el calefactor está funcionando o todavía caliente. Este calefactor se CALIENTA MUCHÍSIMO cuando está encendido.
- NUNCA tape la admisión de aire (atrás) o la salida (adelante) del calefactor.
- NUNCA mueva ni toque el calefactor hasta que no se enfríe.
- NUNCA transporte el calefactor con combustible en el tanque.
- Cuando se lo usa con termostato opcional, o si viene equipado con un termostato, el calefactor se puede encender en cualquier momento.
- SIEMPRE ubique el calefactor sobre una superficie estable y nivelada.
- NUNCA use otro combustible que no sea diésel #1/#2 en este calefactor.
- El depósito de combustible a granel debe estar alejado un mínimo de 25 pies de otros calefactores, linternas, equipos electrónicos y demás fuentes de encendido. El depósito de combustible debe ajustarse a lo estipulado por las autoridades federales, estatales o locales competentes.

**ADVERTENCIA****Peligro de incendio y explosión**

- Mantenga los combustibles sólidos a una distancia prudente del calefactor.
- Los combustibles sólidos incluyen productos de madera o de papel, plumas de aves, paja, y polvo.
- No use el calefactor en lugares que contienen o puedan contener combustibles volátiles o en suspensión, o gases inflamables.
- Entre los combustibles volátiles o en suspensión, o gases inflamables, se incluyen los gases grisú, gasolina, solventes, diluyentes, partículas de polvo o sustancias químicas desconocidas.
- No seguir estas instrucciones puede provocar un incendio o una explosión.
- Los incendios o las explosiones pueden provocar daños materiales, lesiones o la muerte.

**ADVERTENCIA****Peligro de incendio y explosión**

- No usar en una casa o en un vehículo recreativo.
- Si coloca este calefactor en una casa o en un vehículo recreativo es posible que cause un incendio o una explosión.
- Un incendio o una explosión pueden provocar daños materiales o la muerte.

**PARA SU SEGURIDAD**

No almacene ni use gasolina u otros vapores y líquidos inflamables cerca de este o de cualquier otro artefacto.

**ADVERTENCIA**

Cáncer y daño reproductivo.  
Ver [www.P65Warnings.ca.gov](http://www.P65Warnings.ca.gov).

## Especificaciones

		CI230	CI500	CI750
Tipo de combustible		#1 or #2 Aceite Combustible		
Entrada máxima (Btuh/kWh)		230.000 / 67.4	500.000 / 146,5	750.000 / 219,8
Caudal de aire (CFM)		1.600	3.457	4.280
Presión de la bomba (PSI/kPa)		180 / 1241	150 / 1034	
Boquilla		1,25 GPH x 60B	2,75 GPH X 60 B	4,0 GPH X 60 B
Capacidad del tanque de combustible (galones/litros)		42 / 159	61 / 231	
Tasa de combustión (GPH/LPM)		1,7 / 0,11	3,6 / 0,23	5,4 / 0,34
Características del motor		Cojinete de ruedas, 0,5 H.P. / 373 Watts, 1725 RPM	Cojinete de ruedas, 1,5 H.P. / 1.119 Watts, 1725 RPM	Cojinete de ruedas, 2,0 H.P. / 1.491 Watts, 1725 RPM
Velocidad del ventilador (RPM)		1725	1000	
Suministro eléctrico (Voltios/HZ/fase)		120/60/1		240/60/1
Amperaje	Arranque	32	35	35
	Funcionamiento continuo (FLA)	9	14,8	12
Dimensiones (pulgadas/cm) L x Anch. x Alt.		23,7 x 10,5 x 17,0 / 60,2 x 26,6 x 43,3	92,5 x 32 x 44,5 / 235 x 813 x 113	
Distancias prudentes mínimas del calefactor a los materiales combustibles más cercanos (pies/metros)	Parte superior:	3,0 / 0,91		
	Lados	1,0 / 0,30		
	Posterior	3,0 / 0,91		
	Salida del sop- lador	6,0 / 1,83		
Contenedor de combustible a granel (pies/metros)		25 / 7,62		
Temperatura ambiente mínima a la que se puede usar el calefactor (°F/°C)		-20 / -29		
Peso neto (lbs. / kg)		396 / 179.6	805 / 365.1	826 / 374.7



## Información general

En este manual del usuario se incluyen los accesorios que se usan comúnmente en este calefactor. Estos accesorios se deben pedir por separado.

Cuando llame para solicitar asistencia técnica, o para obtener cualquier otra información específica, **siempre** debe tener disponible el número de modelo, el número de configuración, y el número de serie. Esta información se encuentra en la placa de datos.

Este manual le brindará instrucciones sobre el funcionamiento y el cuidado de su unidad. Pida a su instalador que revise junto a usted este manual para poder comprender perfectamente el calefactor y su funcionamiento.

Póngase en contacto con su distribuidor local de L.B. White o con L.B. White Co., LLC para obtener asistencia, o bien si tiene preguntas sobre el uso del equipo o su aplicación.

L.B. White Co., LLC tiene una política de continuo mejoramiento de sus productos. La empresa se reserva el derecho de cambiar las especificaciones y el diseño sin previo aviso.

## Resumen

El calefactor está equipado con un quemador. El quemador incluye un encendedor electrónico, válvulas de solenoide y cabezal del quemador con orificio. Cuando el calefactor se enciende, el encendedor produce chispas, con suministro de gas a través de los solenoides hacia el orificio del quemador. Se produce el encendido.

El quemador calienta el intercambiador de calor. Una vez transcurrido un plazo preestablecido, un controlador del ventilador arranca el motor del ventilador principal y sopla aire fresco sobre el intercambiador de calor. El aire fresco se calienta previamente al pasar sobre el intercambiador de calor y así se suministra aire caliente y seco al lugar que se desea calefaccionar.

Los derivados de combustión generados durante el proceso de calefacción se transfieren a través de un conducto de ventilación directamente al exterior, suministrando así solo aire limpio y seco al lugar calefaccionado.

Cuando el calefactor está APAGADO, the oil solenoid valve will be de-energized cutting off fuel to the burner nozzle. The burner motor will continue to operate for a short period. El controlador del ventilador sigue haciendo funcionar el motor del ventilador principal durante un período preestablecido para permitir que se enfríe el intercambiador de calor. Una vez transcurrido dicho plazo, el controlador del ventilador desconecta la energía al motor del ventilador, apagando así completamente el motor del ventilador.

## Precauciones de seguridad



### ADVERTENCIA

#### Peligro de asfixia

- No use este calefactor para calefaccionar lugares habitables, garajes, talleres u otros espacios cerrados similares.
- El flujo de aire de ventilación y combustión no deben obstruirse.
- Se deberá suministrar aire para ventilación adecuado para cumplir con los requisitos de aire de combustión del calefactor en uso.
- La falta de una cantidad de aire para ventilación adecuado producirá una combustión incorrecta.
- La combustión incorrecta puede producir envenenamiento por monóxido de carbono y lesiones graves o la muerte.

Entre los síntomas del envenenamiento por monóxido de carbono se pueden incluir dolores de cabeza, mareos y dificultad para respirar.

- Se deberá suministrar aire para ventilación adecuado para la combustión conforme a las normas OSHA 29 CFR 1926.154, Dispositivos de calefacción temporales, ANSI A10.10, Requisitos de seguridad para dispositivos de calefacción temporales y portátiles, o bien al código de instalación de artefactos de gas natural y propano, CAN/CSA B149.1 según corresponda.



### PRECAUCIÓN

#### Peligro de incendio y quemaduras

- Caliente mientras funciona.
- No tocar.
- Mantenga alejado de los niños, las prendas de vestir y los combustibles.

## REQUISITOS PARA EL MANTENIMIENTO Y LA INSTALACIÓN:

1. No intente instalar, reparar ni mantener este calefactor a menos que se capacite de manera continua con expertos y tenga conocimientos sobre calefactores a combustible líquido.

Los requisitos para realizar el mantenimiento y la instalación de este equipo son los siguientes:

Para capacitarse como personal de mantenimiento de calefactores a combustible líquido, debe tener suficiente capacitación y experiencia para poder manejar todos los aspectos de la instalación, mantenimiento y reparación del calefactor a combustible líquido. Esto incluye la tarea de instalación, resolución de problemas, reemplazo de piezas defectuosas y prueba del calefactor. Debe poder colocar el calefactor en una condición continua de funcionamiento normal y seguro. Debe familiarizarse totalmente con el calefactor leyendo y cumpliendo con las instrucciones y etiquetas de seguridad, el manual del usuario, etc., que se entregan con cada calefactor.

2. Todas las instalaciones y aplicaciones de los calefactores de L.B. White deben cumplir con todos los códigos locales, estatales y nacionales. Se incluyen los códigos de electricidad y de seguridad. Para determinar estos requisitos, podrá recurrir a su proveedor local de combustible, un electricista local autorizado, el departamento de bomberos local o un organismo público similar, o su agente de seguros.

Consulte las siguientes referencias:

- ANSI/NFPA 70, Código nacional de electricidad
- ANSI A10.0, Última edición de los requisitos de seguridad para equipos y dispositivos de calefacción transitorios y portátiles que se utilizan en la industria de la construcción.
- CSA norma B139-1962, Código de instalación para equipos a fuel oil, sobre la práctica de instalación recomendada.

3. El área cercana al calefactor debe mantenerse limpia y libre de materiales combustibles, gasolina, y otros líquidos y vapores inflamables.

4. No podemos anticipar todos los usos que se le pueden dar a nuestros calefactores. Consulte a la autoridad local de seguridad contra incendios si tiene preguntas sobre las aplicaciones.

5. Por seguridad, este calefactor está equipado con ventilador e interruptores de límite superior. Nunca haga funcionar el calefactor con los dispositivos de seguridad desactivados. No haga funcionar el calefactor a menos que estas características estén en pleno funcionamiento.

6. No coloque recipientes con combustible cerca de la salida del soplador del calefactor.
7. No gradúe el suministro de aire o de combustible de la combustión. Si lo hace, la combustión y el funcionamiento del calefactor no serán los adecuados.
8. No bloquee las admisiones de aire ni las válvulas de descarga del calefactor. Si lo hace, podría provocar una combustión inadecuada o daños en los componentes del calefactor, lo que produciría daños materiales.
9. Verifique que no haya pérdidas de combustible y que el calefactor funcione correctamente una vez instalado, reubicado o luego del mantenimiento.
10. Este calefactor debe ser inspeccionado por personal de mantenimiento calificado, para determinar que funciona correctamente antes de cada uso, no menos de una vez por turno, y por lo menos una vez al año.
11. Este calefactor está equipado con un enchufe de tres clavijas (conexión a tierra) para protegerlo contra descargas eléctricas, y se debe conectar directamente a un tomacorriente de tres clavijas con una conexión a tierra adecuada. Si no se usa un tomacorriente con una conexión a tierra adecuada, se pueden producir descargas eléctricas que podrían ocasionar lesiones o la muerte.
12. Lea y comprenda todas las advertencias. Guarde este manual como referencia. Es su guía para hacer funcionar el calefactor correctamente y con seguridad.
13. Use sólo los combustibles recomendados para evitar riesgo de incendio o explosión. Nunca utilice gasolina, nafta, solventes para pintura, alcohol u otros combustibles altamente inflamables.
14. Abastecimiento de combustible:
  - a. El personal encargado del abastecimiento de combustible deberá estar calificado y muy familiarizado con las instrucciones del fabricante y las normas de aplicación respecto del abastecimiento seguro de combustible de las unidades de calefacción.
  - b. Use únicamente el tipo de combustible especificado en el manual.
  - c. Apague todas las llamas y deje enfriar el calefactor antes de cargar el combustible.
  - d. Mientras abastece el combustible, todas las entradas de combustible y conexiones de la línea de combustible se inspeccionarán buscando pérdidas. Cualquier fuga se deberá reparar antes de volver a poner el calefactor en servicio.

- e. Por ningún motivo se almacenará más de un día de consumo de combustible para el calefactor dentro de un edificio cercano al calefactor. El depósito de combustible a granel deberá estar fuera de la estructura.
  - f. Todos los depósitos de combustible deberán ubicarse a un mínimo de 25 pies (7,62m) de otros calefactores, linternas, equipos de soldadura y demás fuentes de encendido (con excepción del tanque de combustible integrado al calefactor).
  - g. En la medida de lo posible, el depósito de combustible se ubicará en lugares donde las perforaciones del piso no permitan que el combustible gotee sobre un fuego a una altura menor o pueda entrar en combustión con este último.
  - h. El combustible se almacenará de acuerdo con las autoridades competentes.
  - i. No se permitirán depósitos de combustible a un radio de 10 pies (3,05m) de las perforaciones del piso utilizadas para el acceso vertical, salvo que se encuentren separados de las perforaciones por paredes de mampostería de altura completa.
15. Use sólo en lugares sin vapores inflamables o un alto contenido de polvo.
  16. Ubique el calefactor sobre una superficie estable y nivelada mientras está caliente o en funcionamiento. Utilice un nivel.
  17. Nunca encienda el calefactor si hay combustible acumulado en el cono de combustión.
  18. El calefactor puede encenderse en cualquier momento cuando se lo usa con un termostato.
  19. El calefactor debe almacenarse en un lugar nivelado.
  20. Nunca mueva, toque, cargue o repare un calefactor caliente, en funcionamiento o enchufado.
  21. Siga todas las normas locales si debe conectar el calefactor a un suministro de combustible externo.
  22. Los calefactores que se utilicen cerca de toldos, lonas o materiales protectores similares se ubicarán a una distancia prudente de esos materiales. La distancia prudente mínima recomendada es de 10 pies (3,05 m). Se recomienda también que dichos materiales protectores sean del tipo retardante de fuego. Estos materiales deberán estar bien sujetos para evitar que se prenda fuego o que afecten al calefactor debido a la acción del viento.

23. Desconecte el calefactor cuando no esté en uso.
24. Cuando el calefactor se utilice dentro de una estructura cerrada o parcialmente cerrada, permanente o transitoria, habrá que hacer pruebas para detectar la presencia de monóxido de carbono en el término de una hora desde el inicio de cada turno y al menos cada cuatro horas a partir de ese momento. Según las condiciones de trabajo, se pueden realizar pruebas inmediatas, más frecuentes.

## Sistema de Seguridad

**Control de altas temperaturas** El calefactor cuenta con un interruptor de alta temperatura que está diseñado para apagar el calefactor si la temperatura interior llega a un nivel poco seguro.



**Célula CAD:** Un resistor sensible a la luz. Se usa para detectar la presencia de luz en el intercambiador de calor, permitiendo que el calefactor continúe funcionando.



Rango de detección de llama de la célula CAD  
Condición normal = 0 a 1600 ohmios

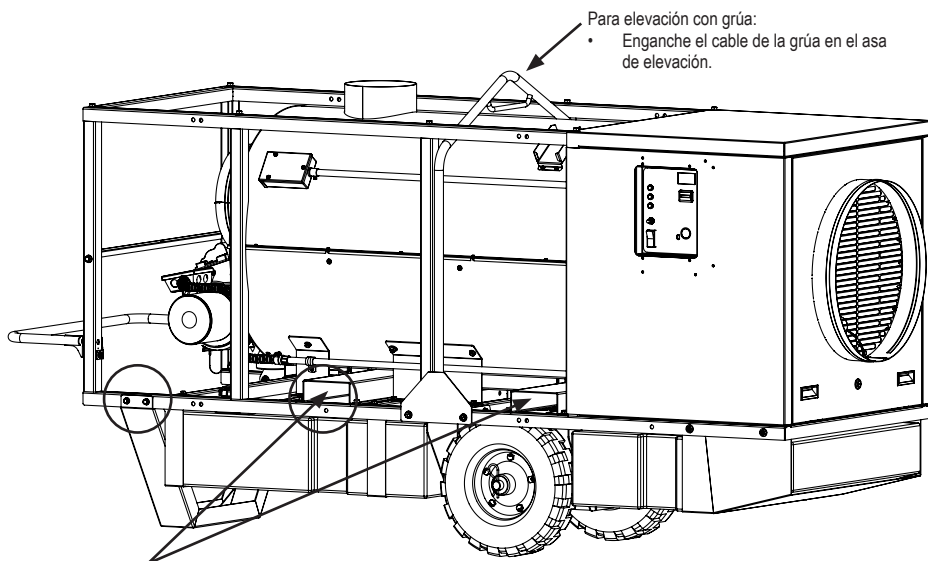
## Traslado/Transporte del calefactor

### **⚠ ADVERTENCIA:**

- NUNCA transporte el calentador mientras está parado en su extremo (CI230).
- Asegúrese de que solo se utilice la correa de tamaño y peso nominales adecuados.

Asegurar el calentador en un remolque o una cama plana.

- Asegure las correas al punto más bajo del marco del calentador. Vea el círculo de ubicaciones a continuación.
- NO apriete demasiado. Demasiada presión podría dañar la correa o las ruedas del calentador.
- Si no puede colocar un dedo entre la correa y el calentador, probablemente la haya apretado demasiado.
- NO use la manija del calentador como un punto para asegurar el calentador al remolque.



#### **CI500 / CI750 SOLAMENTE**

- Para uso en montacargas. Inserte las horquillas aquí, asegurándose de que ambas pasen completamente a través de los canales.
- Punto de sujeción para asegurar las correas calefactoras al remolque para su transporte.

# Instrucciones generales de instalación



## ADVERTENCIA

### Peligro de incendio y explosión

- Antes de usar este calefactor, por favor lea atentamente el MANUAL DEL USUARIO. Este MANUAL ha sido diseñado para indicarle cuál es la manera correcta de reparar, almacenar y, lo que es más importante, la manera segura y eficiente de hacer funcionar este calefactor.
- ¡No deje nunca el calefactor sin supervisión mientras está funcionando!

1. Lea todas las precauciones de seguridad y siga las recomendaciones de L.B.White para instalar este calefactor. Si durante la instalación o la reubicación del calefactor sospecha que una pieza está dañada o defectuosa, llame a un agente de mantenimiento calificado para que la repare o reemplace.
2. Con un nivel, verifique que el calefactor esté nivelado y correctamente posicionado antes de usarlo. Respete todas las distancias seguras mínimas del calefactor a los materiales combustibles más cercanos. Las distancias seguras se indican en la página 4 de este manual.
3. Este calefactor se puede instalar en interiores o en exteriores. Para las instalaciones en interiores, se debe ventilar el calefactor hacia el exterior. Consulte en este manual la sección sobre la instalación de la estructura interior.
4. Los calefactores que se utilicen cerca de toldos, lonas, plásticos, barreras contra el viento o protecciones similares, deben ubicarse al menos a 10 pies/3,05 metros de dichas protecciones. Las protecciones se deben sujetar firmemente a fin de evitar que se prendan fuego o alteren el funcionamiento del calefactor por la acción del viento sobre la protección u otros materiales.
5. Requisitos de tamaño del cable de extensión
  - CI230
    - Hasta 50 ft., usar tamaño 16 AWG
    - 50 ft a 100 ft., usar tamaño 14 AWG
    - Con extensiones mayores a 100 ft., consulte a un electricista
  - CI500/CI750
    - Hasta 50 ft., usar tamaño 12 AWG
    - Con extensiones mayores a 50 ft., usar tamaño 10 AWG"
6. Si se utiliza un tanque de combustible externo, el quemador consumirá carburante:
  - Hasta 10 pies de altura si el tanque se encuentra debajo del calefactor, o
  - 100 pies de longitud horizontal si se encuentra al mismo nivel
7. Encienda el calefactor según las instrucciones que se encuentran sobre el mismo o en el manual del usuario.
8. El calefactor debe instalarse de modo que no interfiera ni obstruya las salidas normales, las salidas de emergencia, las puertas ni las pasarelas.
9. Se deben usar rejas, vallas o materiales adecuados a fin de mantener el equipo de calefacción alejado de las personas que usen y visiten la estructura.
10. El calefactor debe ubicarse de modo que su funcionamiento no se vea afectado por el desagüe de lluvia, hielo o nieve de la estructura. Si el calefactor se instala en el exterior, se lo debe colocar más arriba que cualquier acumulación de agua o agua estancada. Si la unidad se dispone sobre el suelo, se recomienda usar una zanja circundante a fin de drenar la lluvia, el hielo o la nieve lejos de la unidad.
11. Cuando se utilice el calefactor en exteriores, se deben eliminar del suelo y el terreno circundante la vegetación y otros materiales inflamables.
12. Eventualmente, como ocurre con todos los dispositivos eléctricos/mecánicos, el termostato puede fallar. La falla del termostato puede hacer que la calefacción resulte insuficiente. Se debe probar el termostato para verificar que encienda y apague el calefactor con una diferencia de temperatura de  $\pm 3^{\circ}\text{F}$  ( $\pm 1,5^{\circ}\text{C}$ ).
13. Cualquier defecto que encuentre al realizarlos procedimientos de mantenimiento debe eliminarse y las piezas defectuosas deben reemplazarse de inmediato. El calefactor debe ser sometido a pruebas nuevamente por personal de servicio calificado antes de volver a usarse.
14. Tómese el tiempo necesario para aprender a hacer funcionar y mantener el calefactor usando el manual del usuario.

## Estructura interior

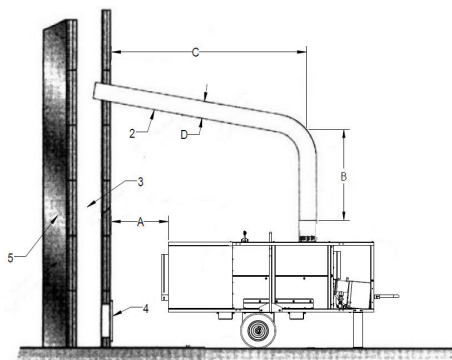
### **ADVERTENCIA** Peligro de asfixia

- Si la instalación es en interiores, el escape del calefactor debe ventilar hacia el exterior.
- De lo contrario, se puede producir asfixia debido a la falta de un adecuado suministro de aire o envenenamiento por monóxido de carbono.
- El envenenamiento por monóxido de carbono puede provocar lesiones graves o la muerte.

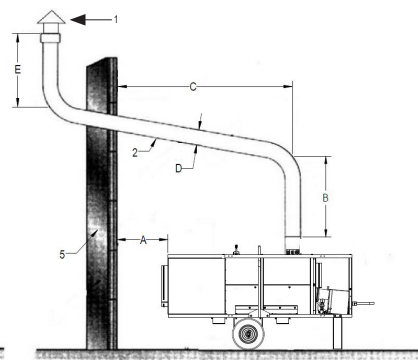
### **ADVERTENCIA** Peligro de asfixia

- Cuando este calefactor está conectado a un tubo de ventilación, el tubo debe terminar en un tramo vertical de no menos de dos pies de largo y se creará suficiente corriente de aire para garantizar el funcionamiento correcto y seguro del calefactor. Un calado mínimo de 0,20 pulg. de columna de agua es recomendado.
- Donde puedan generarse contracorrientes habrá que colocar un sombrerete en la salida del tubo de ventilación.
- Los tramos horizontales del tubo de ventilación deben tener una elevación de 1 en 10 alejado del calefactor.

### EN UNA CHIMENEA EXISTENTE



### DIRECTAMENTE AL EXTERIOR



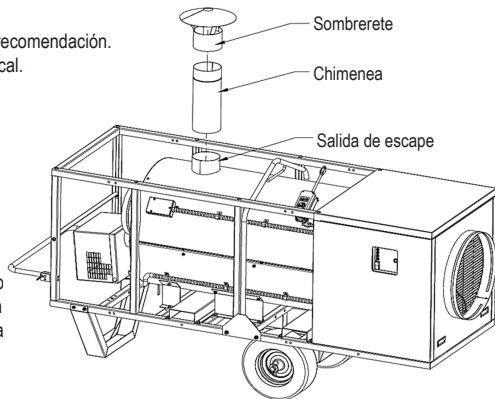
- 1) Dispositivo contra el viento, accesorio opcional
- 2) Cruce horizontal con inclinación mínima hacia arriba de 5°
- 3) Chimenea de 8 pulgadas x 8 pulgadas de medida interior mínima
- 4) Puerta abatible contra explosión de la chimenea
- 5) Pared de asentamiento exterior diámetro de la válvula de salida del calefactor.

- A. Mínimo 3 pies
- B. Mínimo 3 pies
- C. Longitud mínima
- D. Igual o mayor que
- E. Mínimo 3 pies

**Nota:** La información precedente constituye solo una recomendación. Haga revisar su instalación por un organismo local.

## Estructura exterior

A fin de evitar la recirculación de gas de combustión por la salida del escape hacia la admisión de aire del calefactor, se debe instalar un conducto de escape de 5 pies/1,25 metros como mínimo en la salida del escape. Para proteger contra el ingreso de agua cuando el calefactor se instala en el exterior, hay que colocar un sombrerete. Se pueden adquirir accesorios opcionales a través de L.B. White Co. Sombrerete o Chimenea.



## Instalación de Sombrerete/ Chimenea

\* Accesorio – Se debe pedir por separado.

1. Instalar el sombrerete sobre la chimenea.
2. Taladre 4 orificios (1/8 pulg.) en un patrón entrecruzado.
3. Asegure el sombrerete y la chimenea con los tornillos que vienen en los kits.
4. Instale el conjunto de la chimenea/sombrerete sobre el escape del calefactor.
5. Taladre 4 orificios (1/8 pulg.) en un patrón entrecruzado.
6. Asegure la chimenea/el sombrerete con los tornillos que vienen en los kits.

## Instalación de conductos

\* Accesorio – Se debe pedir por separado.

Se pueden conectar los conductos de este calefactor usando los dispositivos de distribución L.B.White:

- 12 pulgadas / 30,48 cm día. x 25 pies / 7,62 m, L.B.White parte # 500-30052, no requiere adaptador para conductos.
- (CI500 / CI750), 16 pulgadas / 40,64 cm de día. x 25 pies / 7,62 m, L.B.White parte # 500-30076, se requiere un adaptador de conducto, 500-30902.
- Ubique el conducto debajo de los materiales de barrera contra el viento adecuados a las exigencias de la obra.
- Se puede usar otro material para los conductos pero debe cumplir con los siguientes requisitos:

1. El conducto debe tener una temperatura mínima de material de 300°F/149°C
2. Se puede conectar una tubería de hasta 100 pies/30,48 metros al calefactor siempre que la presión estática no exceda el límite indicado en la placa de datos. El aumento de presión estática reduce la tasa de flujo y puede hacer que se apague el calefactor debido a los límites de temperatura alta. Los codos y pliegues en la tubería o el colapso de la tubería son causas probables del aumento de la presión estática.

3. Se puede utilizar conducto alternativo de 12 pies (30,48 cm) x 25 pies (7,62 cm) de los siguientes fabricantes:
  - Artic Helix - Norseman
  - Artic Econorush - Norseman
  - Hitex Series - NTI Global
  - Ventflex Series - NTI Global

### Instalación:

1. Extienda el kit de conductos a una longitud de 25 pies/7,62m.
2. Acople un extremo del conducto a una de las válvulas de descarga del calefactor.
3. Sujete el conducto al calefactor con la abrazadera suministrada en el kit. Como se muestra.



4. Enderece los conductos y elimine cualquier estrangulamiento.

### Nota:

- Al usar los conductos, asegúrese de mantener en un mínimo el número de codos. Se permiten como máximo dos codos de 90°.
- La reducción del número de codos garantiza que el aire caliente que sale del calefactor fluya libremente, evitando el sobrecalentamiento. Si hay demasiados codos, se pueden abrir los interruptores de límite superior.

**Opcional:** Se puede agregar un kit de circulación de aire con una tubería de longitud máxima de 25 ft./7,62 m a la entrada del suministro de aire del calefactor.

(CI230) 16 pulgadas / 40,6 cm día. x 25 pies / 7,62 m,  
(CI500/CI750) 20 pulgadas / 50,8 cm día. x 25 pies / 7,62 m,



## Ajuste a grandes elevaciones

La admisión de aire del quemador del calefactor viene regulada de fábrica para funcionar normalmente de 0 a 2.000 pies sobre el nivel del mar. Cuando se opera a más de 2.000 pies de altura se deberá tener en cuenta la elevación. Es necesario reducir la tasa en 1,84% por cada 1.000 pies sobre el nivel del mar para que el calefactor funcione con seguridad. Para el servicio de reclasificación del calefactor, póngase en contacto con:

Beckett Technical Service  
1-800-645-2876 o  
Correo electrónico: techservice@beckettcorp.com

**NOTA:** La tasa de combustión (cantidad de Btu que ingresan) del quemador se debe mantener para cumplir con la carga de calefacción para la cual el aparato ha sido dimensionado.

## Termostato

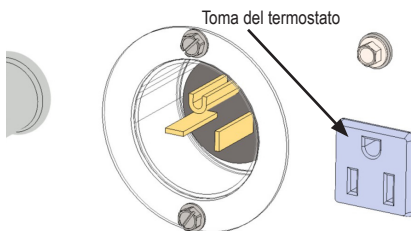
El termostato remoto opcional es un termostato completamente cerrado según calificación NEMA 4X con ajuste de temperatura en una sola etapa ( $\pm 3^{\circ}$  F/-16 $^{\circ}$  C). L.B. White Pieza N° 500-30125.



Si no se necesita o requiere el termostato, seleccione el ajuste manual del interruptor de palanca del termostato.



Si se requiere un termostato, eleve la cubierta de la toma del termostato y conecte el enchufe macho del cable del termostato a la toma del termostato del calefactor. Seleccione la configuración de termostato con el interruptor de palanca del termostato.



### ADVERTENCIA

- SIEMPRE cubra la salida del termostato cuando no esté en uso.
- NO enchufe un artefacto al tomacorriente del termostato.
- NO enchufe un termostato en línea en la salida del termostato.

## Cebado de la bomba

No se requiere ni se necesita cebado de la bomba con el calefactor Foreman Oil Heater.



El los calentadores L.B. White Foreman estarán configurados de fábrica para ser L.B. White LINK listo o compatible. Verifique el número de modelo en la placa de identificación para determinar si su calentador Foreman es L.B. White LINK listo o compatible. Si el diseño de su plantilla termina con la letra "L", entonces lo es. Listo para el L.B. ENLACE. Si el diseño de su modelo no termina con la letra "L", es solo L.B. Compatible con LINK blanco. Vea el ejemplo a continuación.

<b>L.B. WHITE</b>	Model/Modelo/ Modelo	<b>CI500BSON42168TL</b>
Serial No./No. de série		
Fuel / Carburant / Combustible	Diesel 1 & 2	
Tank Capacity / Capacité Du Réservoir / Capacidad Del Tanque	61 gal / 231 L	
Elevation / Elévation (ft/m)	0 - 2,000 / 0 - 610	
Max Input/ Max D'Entrée/ Max Entrada (kBtu/kW)	500 / 146.5	
Firing Rate/ Cadence De Tier / Tasa de disparos (GPH/LPM)	3.6 / 0.23	
Nozzle / Bus / Boquilla	2.75 GPHx60B	
Electrical / Électrique / Eléctrico (V/A/Hz/Ø)	120 / 14 / 60 / 1	
Min. operating temp./Min. température de fonctionnement / Min. temperature de funcionamiento (°F/°C)	-20 / -28	
<b>L.B. White Co., LLC 411 Mason Street Onalaska, WI 54650 USA 1-608-783-5691</b>		

Para L. B. White LINK Ready Foreman Oil, solicite el kit número **500-133307**. Para L. B. White LINK Foreman Oil compatible, solicite el kit número **500-133193**. Para obtener más información sobre L.B. Sistema White LINK, póngase en contacto con su L.B. White distribuidor. También puede llamar al L.B. White empresa, LLC al 1-800-345-7200.



## Conexión a un tanque de combustible remoto

- El Foreman 230/500 requerirá la instalación del kit 500-131261 para la conexión a un tanque remoto.
- El Foreman 750 se enviará listo para conectarse a un tanque de combustible remoto. Vea las instrucciones a continuación.

### Conexión del Foreman 750 a un tanque de combustible remoto.

#### Materiales

- Cinta de teflón (uso en todas las conexiones roscadas)
- Conexiones de tubería adecuadas para adaptarse a las roscas hembra NPT de 3/8 pulg. En la T de hierro negro de 3/8 pulg.

#### Herramientas

- Llave Allen 5/16
- Llave ajustable

### Conexión a un tanque de combustible remoto

- Cierre la válvula de cierre de combustible del tanque de combustible a bordo.
- Retire el tapón de cabeza Allen de la T de 3/8 pulg.
- Utilice los accesorios de tubería adecuados para reducir el accesorio de manguera remota a roscas NPT de 3/8 pulg.
- Instale el accesorio de la manguera remota en la T de 3/8 pulg.
- Controle la estanqueidad de TODAS las conexiones.
- Arranque el calefactor y controle que no haya fugas en todas las conexiones. Vuelva a ajustar como sea necesario para detener cualquier fuga de combustible. Uso del tanque de combustible a bordo

### Uso del tanque de combustible a bordo


- Todos los calentadores de Foreman Oil se envían listos para funcionar desde el tanque de a bordo.

## Instrucciones de puesta en marcha

Para la puesta en marcha inicial luego de la instalación del calefactor, siga los pasos 1-5. Para la puesta en marcha normal, ponga el termostato en un nivel superior al de la temperatura ambiente o ponga el interruptor selector del termostato en la posición manual.

1. Siga toda la información de seguridad y ventilación.
2. Llene el tanque con combustible.
3. Este calentador está cableado con una conexión a tierra para su protección contra el riesgo de descarga eléctrica. El calentador debe conectarse directamente a un suministro eléctrico conectado a tierra y debidamente conectado. Tamaño mínimo del interruptor. CI230-15 amp, CI500 / CI750-20 amp
4. Gradúe el termostato a la temperatura ambiente deseada o coloque el selector del termostato en la posición manual.
5. Este calefactor cuenta con un selector tipo basculante ubicado en el lado del calefactor. Este interruptor permite seleccionar entre modo calor o modo ventilación (sin calor).



6. Cuando el interruptor se encuentra en calor  , se encienden tres luces de estado en secuencia a medida que el controlador del calefactor verifica circuitos específicos. Si no se enciende el calefactor, y una luz de estado está apagada, consulte la sección sobre resolución de problemas de este manual.

7. No exceda la velocidad de entrada indicada en la placa de datos ni la presión de la bomba recomendada por el fabricante para la boquilla empleada. Compruebe que el suministro de aire primario del quemador principal esté abierto y libre de polvo, suciedad y residuos para una combustión completa y adecuada.

**A. Funcionamiento del modo calefacción**

Cuando el selector se posiciona en calor y el termostato requiere calor, se enciende un conjunto de luces verdes (energía encendida y termostato encendido). El motor del ventilador del quemador se pre-purgará durante 45 segundos. Una vez realizada la pre-purga del quemador, el encendedor genera una chispa y se produce el encendido. El soplador principal tiene un retardo de 30 segundos antes de funcionar. El termostato hace pasar el calefactor por ciclos de encendido y apagado tomando como base la temperatura establecida. El LED de límite superior destellará durante el ciclo de pre y pos-purga.

**Nota:** Cuando el termostato apaga el calefactor o cuando el selector está apagado, el motor del ventilador principal continúa funcionando durante 3 minutos más para enfriar el intercambiador de calor.

**B. Funcionamiento del modo ventilación**

Cuando el selector se posiciona en ventilación, solo se ilumina la luz del motor del ventilador. El motor del ventilador se activa pero el motor del quemador no, ni se produce el encendido. Esta función se usa normalmente cuando no se necesita calor sino circulación de aire. El calefactor no activará la función del termostato. Para discontinuar la función ventilación, posicione el interruptor en el punto medio O, o en calor si desea utilizar la función ventilación, no es necesaria la fuente de combustible.

**C. Apagado (O)**

Ubique el interruptor en el punto medio O

**Bloqueo de seguridad**

Este calefactor está equipado con el control de quemador avanzado Beckett GeniSys. GeniSys se utiliza con un sensor de llama célula CAD adecuado para controlar el motor del quemador de fuel oil, el encendedor y la válvula solenoide de fuel oil.

■ El controlador del quemador GeniSys tiene una prueba de encendido. Si no se logra encender, el control del quemador GeniSys se pondrá en el modo de “bloqueo blando”.

Bloqueo blando – se ha cerrado el control por uno de los siguientes motivos de seguridad:

- a) La prueba de encendido falló.
- b) La célula CAD no detectó una llama.
- c) La llama se desvanece durante la prueba de encendido.
- d) El control del quemador reintentará el encendido en 60 segundos.

**PARA RESTABLECER LA CAJA DE CONTROL**

Pulse el botón de restablecimiento del controlador GeniSys durante 1 segundo y verifique que la luz roja del botón de restablecimiento se apaga.



**MODO DE DIAGNÓSTICO**

Luces de estado

Color de luz	Fija	Intermitente
Roja:	Bloqueo duro (1)	Bloqueo blando (2)
Verde	Funcionamiento normal	Reciclar (3)

- (1) Repetición de un bloqueo blando—para restablecer, pulse y mantenga presionado el botón de restablecimiento durante 15 segundos hasta que se encienda la luz amarilla.
- (2) Falló el encendido, la célula CAD no detectó una llama, o se desvanece la llama—para restablecer, pulse y suelte el botón de restablecimiento.
- (3) Control ha comenzado un retardo de 60 segundos, y repetirá la secuencia de encendido.
- (4) Purgando aire de la línea de combustible.

El controlador sólo proporciona el diagnóstico cuando el selector se encuentra en CALOR. 

- En instalaciones nuevas, es normal que quede aire atrapado en la línea de combustible. El calefactor puede requerir varias pruebas de encendido antes de que el aire finalmente se purgue de la línea y se produzca el encendido.

## Instrucciones de apagado

Si debe apagar el calefactor para limpiarlo, hacer mantenimiento o repararlo, siga los pasos 1-3. De lo contrario, simplemente fije el termostato en apagado o sin calor, o coloque el interruptor CALOR/VENT en la posición apagado.

1. Gire el termostato a la temperatura más baja.
2. Deje que el calefactor realice su modo de enfriamiento pos-purga.



### **ADVERTENCIA** Peligro de incendio, quemaduras y explosión

- Este calefactor contiene componentes eléctricos y mecánicos en los sistemas de seguridad y de administración del gas.
- Tales componentes pueden dejar de funcionar o fallar debido a la acumulación de polvo, suciedad, desgaste y antigüedad.
- La limpieza e inspección periódicas, así como un mantenimiento adecuado, son fundamentales para prevenir lesiones graves o daños materiales.

3. Desconecte el cable del tomacorriente.

NO DESCONECTE EL SUMINISTRO ELÉCTRICO HASTA QUE EL MOTOR DEL VENTILADOR PRINCIPAL SE HAYA APAGADO TRAS ENFRIAR EL INTERCAMBIADOR DE CALOR

**Nota:** Durante el funcionamiento normal, si el termostato apaga el calefactor o si el selector está en posición apagado, el motor del ventilador principal continúa funcionando. En eso consiste el enfriamiento pos-purga del intercambiador de calor. El LED de límite superior destellará durante el ciclo de pre y pos-purga. Después de 3 minutos de pos-purga, el calefactor se apaga.



### **ADVERTENCIA** Peligro de incendio, quemaduras y explosión

- No use una lavadora a presión, agua ni una solución limpiadora en ningún control de gas. El uso de una lavadora a presión, agua o una solución limpiadora en los componentes del tablero de control puede causar lesiones graves o daños materiales por acción del agua o de los líquidos:
- En los componentes y cables eléctricos, pueden causar descargas eléctricas o fallas en el equipo.

## Instrucciones de limpieza

1. Antes de limpiar, desconecte el suministro eléctrico.
  2. Se debe eliminar el polvo o la suciedad del calefactor periódicamente:
    - a. Antes de cada uso, realice una limpieza general del calefactor aplicando aire comprimido, un cepillo suave o un paño seco a la caja y los componentes internos. Al hacerlo, quite el polvo de la caja del motor para impedir que se recaliente.
    - b. Realice una limpieza profunda del calefactor por lo menos una vez al año. Cuando la haga, retire el conjunto del ventilador y el motor, y limpie las aspas del ventilador cepillándolas o soplándolas. Además, compruebe que la entrada de aire del quemador quede libre de polvo acumulado.
- Limpie todos los componentes del calefactor con aire a presión, un cepillo seco o un paño seco.

## Instrucciones de mantenimiento

### ANTES DE CADA USO:

- Controle la superficie alrededor del calefactor para garantizar que esté despejada y que no haya en ella materiales inflamables, gasolina u otros líquidos y vapores inflamables.
- En la instalación, compruebe que el flujo de aire de combustión y ventilación no está obstruido.
- Controle todos los terminales y los componentes eléctricos relacionados con el cableado dentro del calefactor en busca de corrosión, desgaste o cortes en el aislamiento, desajustes en las conexiones, etc. Repare o reemplace según sea necesario.
- Verifique la legibilidad de todas las indicaciones del calefactor (es decir, diagramas de cableado, advertencias, puesta en marcha, apagado, resolución de problemas, etc.) en el momento del mantenimiento. Asegúrese de que no estén cortadas, rasgadas ni de otro modo dañadas. Comuníquese de inmediato con L.B. White Co., LLC para reemplazar las indicaciones dañadas. Las placa de datos, las advertencias y las instrucciones de encendido y apagado se entregan sin costo. Se aplica un cargo nominal por los diagramas de cableado.
- Controle la correa de transmisión del ventilador principal. Compruebe que la correa no esté agrietada. Si es así, reemplácela. Además, verifique que la correa no se deslice, que la tensión de la correa es la adecuada y que las poleas están bien alineadas y no están desgastadas.
- Controle la regulación de la compuerta de aire.
- Inspeccione todas las líneas de abastecimiento de combustible buscando abrasiones o rupturas. Reemplace si es necesario.
- Limpie y controle el encendedor y la célula CAD anualmente.

- Pruebe los interruptores de límite superior de calor antes de cada uso para verificar que funcionan correctamente. (Consulte las instrucciones en la sección Mantenimiento de este manual)
- Enjuague el tanque de combustible después de 50 horas de funcionamiento o según sea necesario.
- Cambie el filtro de combustible cada seis meses de uso normal.
- Las líneas del filtro de combustible se debe controlar y ajustar antes de cada uso.
- La turbina y la correa del ventilador se deben limpiar y controlar antes de cada uso.
- Los pasos de aire alrededor del intercambiador de calor se deben controlar cada temporada buscando suciedad y residuos.

### Almacenamiento

Antes de almacenar el calentador durante un período prolongado, drene el combustible de los filtros de combustible, las líneas de combustible, la bomba y el enganche remoto, si está equipado.

1. Retire el tapón de drenaje y drene el combustible del tanque. Vuelva a colocar el tapón de drenaje.
2. Si se observa algún residuo en el combustible viejo, agregue 1 o 2 cuartos de galón de combustible limpio al tanque, agite y drene el tanque nuevamente. Esto evitará que los residuos obstruyan los filtros durante el uso futuro.
3. Inicia el calentador (consulte las instrucciones de Inicio) para quemar el combustible restante en las líneas. Una vez que se haya quemado el combustible restante, apague el calentador (consulte las instrucciones de apagado) y deje que el calentador se enfríe completamente.
4. Elimine correctamente el combustible viejo y sucio.
5. Almacene el calefactor en un lugar seco. Verifique que en el lugar donde lo guarda no hay polvo ni vapores corrosivos.

No almacene combustible no usado durante los meses de verano para usar en la próxima temporada de calefacción. El uso de combustible viejo puede dañar el calefactor.



### ADVERTENCIA Peligro de vuelco (C1230)

- NO coloque el calentador en posición vertical con el combustible en su tanque.
- El calentador debe almacenarse en una superficie sólida, estable y nivelada.
- El incumplimiento de estas advertencias puede provocar lesiones graves o la muerte.

## Instrucciones de servicio



### ADVERTENCIA Peligro de quemaduras

- Las superficies del calefactor permanecen calientes durante un cierto tiempo después de apagado el calefactor.
- Deje que el calefactor se enfríe antes de realizar tareas de servicio, mantenimiento o limpieza.
- No tener en cuenta esta advertencia, podría dar lugar a quemaduras.



### ADVERTENCIA Peligro de incendio y explosión

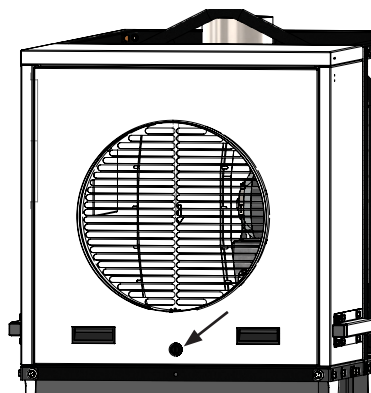
- No desarme ni intente reparar ningún componente del calefactor.
- Todas las piezas deben reemplazarse si se les detectan defectos.
- De lo contrario, se pueden producir incendios o explosiones que podrían ocasionar daños materiales, lesiones o la muerte.

1. Desconecte el suministro eléctrico antes de hacer el mantenimiento salvo que sea necesario para el procedimiento a seguir.
2. Limpie la boquilla del calefactor con aire comprimido o un paño suave y seco. No use limas, taladros, raspadores u otros elementos para este procedimiento. Esto podría agrandar el orificio y causar problemas de combustión o encendido. Reemplace la boquilla si no la puede limpiar adecuadamente.
3. Se pueden probar los interruptores de límite superior, el interruptor de CALOR/VENT y el termostato desconectando los cables del componente y puenteándolos entre sí:
  - Vuelva a conectar el suministro eléctrico y abra las válvulas del combustible.
  - Si el calefactor se enciende, significa que el componente tiene desperfectos y hay que reemplazarlo.
  - Si la pieza falla, no deje activo el puente ni haga funcionar el calefactor. Reemplace la pieza de inmediato.
  - Un método alternativo para controlar los componentes es realizar una verificación de continuidad.
4. Abra o quite el panel respectivo para acceder a los componentes asociados al ventilador.
5. Para volver a armarlo, invierta el procedimiento de mantenimiento respectivo. Asegúrese de que las conexiones estén bien ajustadas.
6. Después del mantenimiento, encienda el calefactor para comprobar que funciona correctamente.
7. Si durante el mantenimiento se pierde alguna chaveta del ventilador, se puede reemplazar fácilmente usando barra de material de 3/16 cuadrado x 1 pulgada de lo contrario.

## Componentes del impulsor

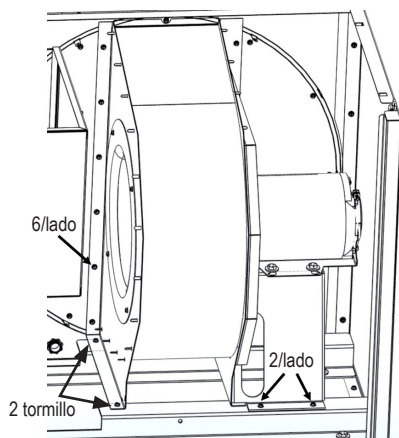
Para acceder al motor del soplador, los componentes de accionamiento del ventilador y su control eléctrico.

- Retire el panel trasero al desenganchar (CCW) la traba y quitar el panel.
- Desenganche el panel superior de adentro del calefactor y retire el panel superior hacia atrás para desbloquear las lengüetas.
- Retire el panel superior.



### Carcasa del ventilador CI230 y montaje del motor

1. Desconecte el cableado del motor de la placa de control.
2. Retire todos los tornillos que sujetan la carcasa del ventilador al intercambiador de calor y las barras de montaje de la carcasa.

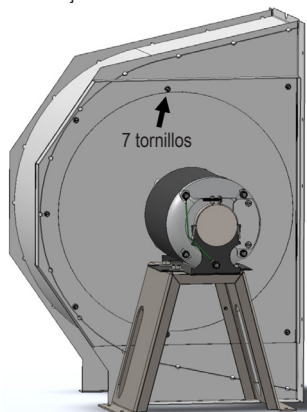


3. Retire la carcasa del ventilador y el conjunto del motor.

### Remoción del motor del soplador/turbina

#### Turbina

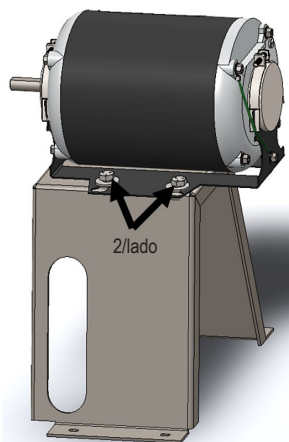
1. Retire todos los tornillos que sujetan la placa de montaje del motor.



2. Retire el conjunto de la rueda del motor / ventilador de la caja del ventilador.
3. Afloje las dos llaves Allen 3/16 que sujetan la rueda del ventilador al eje del motor.
4. Retire la rueda del ventilador.

#### Motor

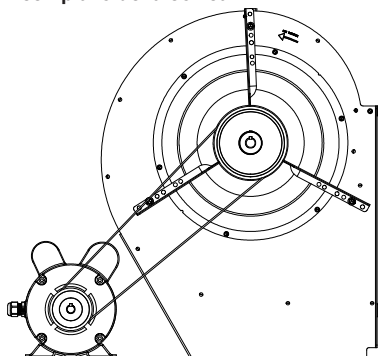
1. Siga el procedimiento de extracción de la rueda del ventilador.
2. Retire los cuatro pernos de cabeza hexagonal que sujetan el motor al soporte de montaje del motor.



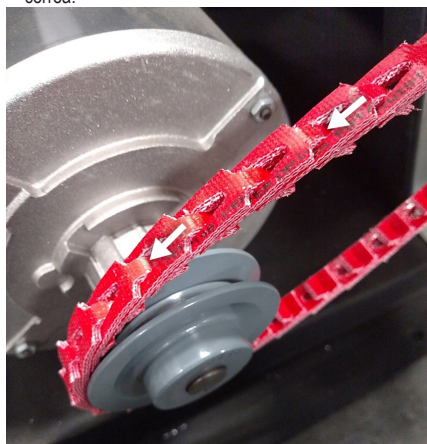
3. Quitar el motor

## CI500 / CI750

### Reemplazo de la correa

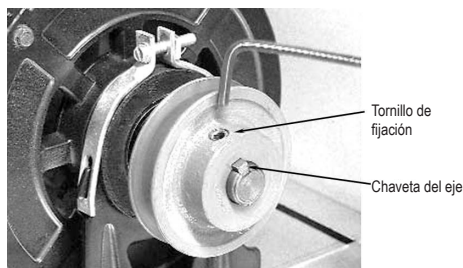


1. Extraiga cuidadosamente la correa de la polea.
2. Compruebe si hay suciedad en las ranuras de las poleas del motor y el ventilador, limpie las poleas si es necesario.
3. Instale la correa nueva. Asegúrese de instalar la correa como se muestra abajo. Vea la flecha de dirección en la correa.



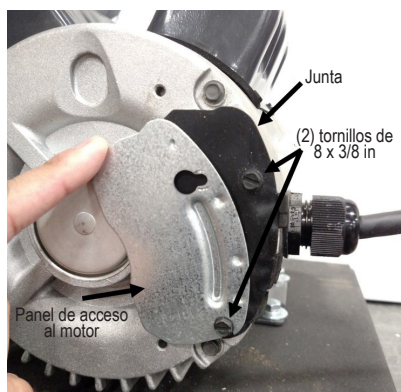
### Poleas del motor y el ventilador

1. Extraiga la correa de las poleas. Consulte Reemplazo de la correa
2. Afloje el tornillo Allen de las poleas del ventilador y el motor.
3. Extraiga la polea y la chaveta del eje del ventilador y el motor
4. Al colocar una polea nueva, use una regla y verifique que las poleas del ventilador y el motor están alineadas. Debe haber contacto en los bordes de ambas poleas.

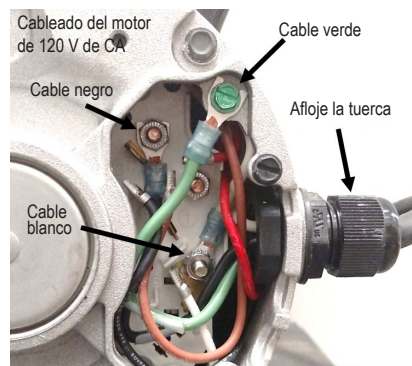


### Motor del ventilador

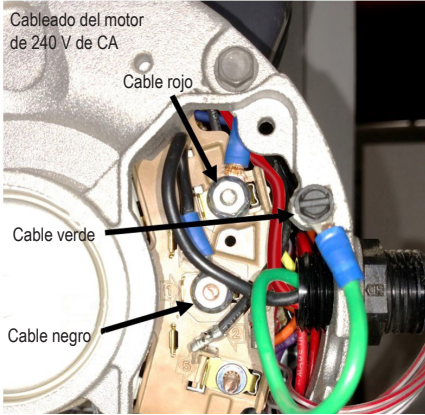
1. Afloje los tornillos del panel de acceso del suministro eléctrico sobre el motor
2. Extraiga el panel de acceso y la junta



3. Desconecte el cable de suministro eléctrico.



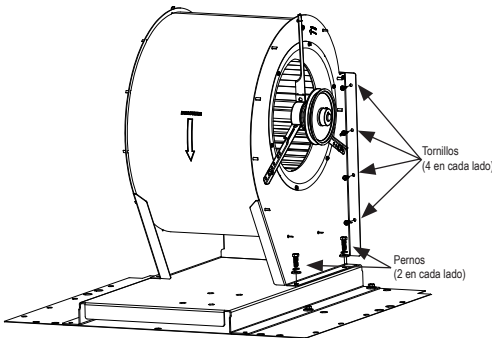




4. Extraiga los cuatro pernos de montaje con una llave fija de  $\frac{1}{2}$  pulgada.
  - Compruebe que las poleas del motor y el ventilador están bien alineadas al reinstalarlas.
  - Los rodamientos del motor están permanentemente lubricados.

#### Extracción de la carcasa del ventilador

1. Extraiga la correa del ventilador. Consulte el procedimiento de reemplazo de la correa.
2. Extraiga el motor del ventilador. Consulte la sección sobre el motor del ventilador.
3. Ubique y extraiga los cuatro pernos de la base del recinto del ventilador. Consulte a continuación.
4. Ubique y extraiga los ocho tornillos de la lámina metálica. Consulte el diagrama a continuación.
5. Tire del recinto de la turbina hacia afuera.



#### Treemplazo de la rueda de ventilador

1. Extraiga la correa del ventilador. Consulte los procedimientos para el Reemplazo de la correa.
2. Extraiga la correa del eje del ventilador. Consulte los procedimientos para las Poleas del ventilador y del motor.
3. Afloje todos los tornillos de fijación Allen del eje del ventilador incluido el tornillo de fijación del cubo de la rueda de ventilador.
4. Empuje el eje del ventilador a través de la rueda de ventilador y de los soportes de montaje del cojinete.
5. Baje la rueda del ventilador para obtener acceso a las tuercas del soporte de montaje del cojinete ubicadas detrás del lado de la carcasa del ventilador.
6. Extraiga los tornillos del aro de la carcasa del ventilador.
7. Extraiga la rueda de ventilador.

NOTA: cuando instale la rueda de ventilador nueva asegúrese de que el cubo de la rueda del ventilador esté en el mismo lugar que la correa del motor.

## Componentes del quemador

### **⚠ ADVERTENCIA** Peligro de incendio y quemaduras

- Nunca realice el mantenimiento del calefactor mientras está conectado.
- Deje que el calefactor se enfríe antes de realizar tareas de servicio, mantenimiento o limpieza.
- No tener en cuenta esta advertencia, podría dar lugar a quemaduras.
- No intente instalar, reparar ni arreglar este calefactor a menos que se capacite de manera continua con expertos y tenga conocimientos sobre calefactores a combustible líquido.

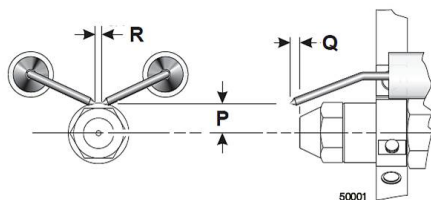
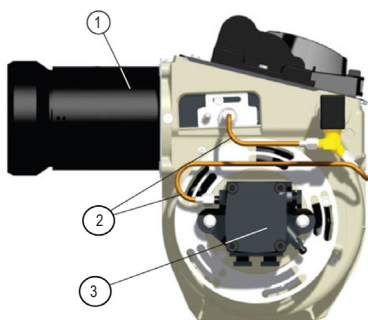


Botón de reinicio de sobrecarga del motor C1500 / C1750

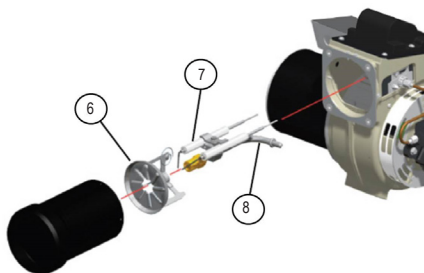
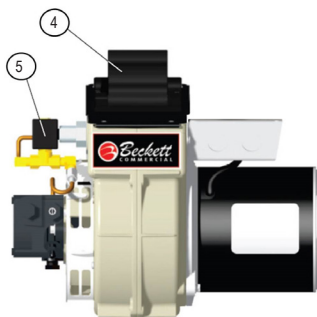


**⚠ ADVERTENCIA**  
**Especificaciones de los electrodos**  
 ■ Si no se mantienen correctamente estas especificaciones, se pueden producir fallas de encendido, explosión interna de gases calientes, abundante humo, así xia, peligro de explosión e incendio.

Ajuste la distancia entre electrodos y posición en relación a la boquilla a las siguientes especificaciones.



	C1230	C1500/C1750
P	1/4"	3/16"
Q	1/8"	1/4"
R	5/32"	3/16"



1. Tubo de aire
2. Líneas de combustible
3. Bomba de combustible
4. Transformador de encendido
5. Válvula solenoide de fuel oil\*
6. Montaje del cabezal
7. Montaje de electrodos
8. Línea de montaje de boquillas

\* No disponible en el modelo C1230

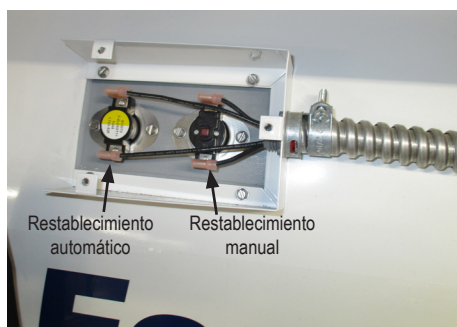


## Interruptores de límite superior

### **⚠ ADVERTENCIA** Peligro de incendio

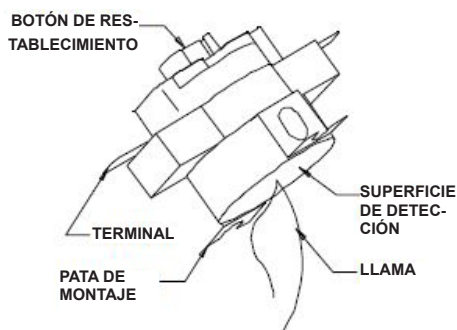
- No haga funcionar el calefactor con uno de los interruptores de límite superior desactivado.
- Si hace funcionar el calefactor con el interruptor de límite superior desactivado, puede causar recalentamiento, que puede derivar en un incendio, con los consecuentes daños al calefactor o daños materiales.

Este calefactor está equipado con dos interruptores de límite. Uno se restablece manualmente, el otro se restablece automáticamente. Los interruptores están ubicados en el lado del calefactor.



Ambos interruptores de límite superior se deben probar como mínimo una vez al año cuando se realiza la limpieza profunda del calefactor.

1. Extraiga el interruptor de límite superior.
2. Aplique una llama pequeña solo a la parte del sensor en la parte posterior del interruptor.  
Actúe con precaución para no derretir el recinto de plástico del interruptor durante esta prueba.
3. En menos de un minuto, debería oír un pequeño clic que indica que los contactos del interruptor se han abierto.
4. **INTERRUPTOR DE RESTABLECIMIENTO MANUAL:** Deje que el interruptor se enfríe durante aproximadamente 1 minuto antes de pulsar firmemente el botón de restablecimiento. **INTERRUPTOR DE RESTABLECIMIENTO AUTOMÁTICO:** Deje que el interruptor se enfríe durante aproximadamente un minuto. No es necesario restablecerlo.
5. Compruebe la continuidad eléctrica en los terminales del interruptor para asegurarse de que se hayan cerrado los contactos.



## Controles de la presión de la bomba

### ATENCIÓN:

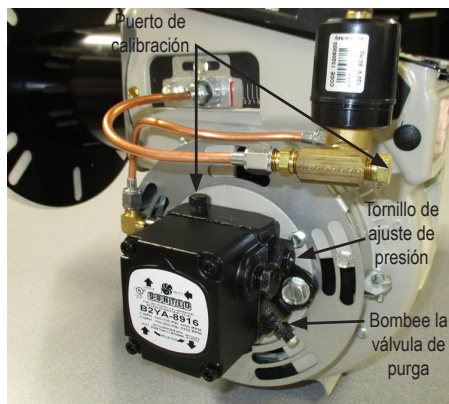
Consulte en la placa de datos del calefactor o en la página 4 de este manual las presiones específicas que debe usar.

1. Conecte el medidor de presión del aceite al puerto del medidor en la bomba. Ver puerto del medidor para CI230 a continuación, CI500/ CI750 en la página 22
2. Encienda el calefactor.
3. Permita que el motor alcance su velocidad máxima.
4. Ajuste la presión (con destornillador plano).
5. Gire la válvula de escape hacia la derecha para aumentar la presión.
6. Gire la válvula de escape hacia la izquierda para disminuir la presión.
7. Fije la presión correcta de la bomba como se indica en la placa de identificación del calefactor.
8. Pare el calefactor.
9. Extraiga el manómetro y conecte el puerto de la bomba de combustible.

### CI230 puerto indicador



## C1500 / C1750 puerto indicador



## Guía de resolución de problemas

**LEA TODA ESTA SECCIÓN ANTES DE COMENZAR A RESOLVER PROBLEMAS.**



### ADVERTENCIA

- Este calefactor puede encenderse en cualquier momento.
- Para resolver los problemas de este sistema, es posible que deba hacer funcionar la unidad con el voltaje de línea conectado y con combustible.
- Proceda con extrema precaución al trabajar en el calefactor.
- No tener en cuenta esta advertencia podría derivar en situaciones de daños materiales, lesiones o muerte.

La siguiente guía de resolución de problemas brinda procedimientos para el aislamiento de problemas del equipo. Esta guía está orientada a PERSONAL CALIFICADO EN EL MANTENIMIENTO DE CALEFACTORES. NO INTENTE REALIZAR EL MANTENIMIENTO DE ESTE CALEFACTOR A MENOS QUE HAYA RECIBIDO LA CAPACITACIÓN ADECUADA. EQUIPOS DE PRUEBA NECESARIOS:

- Multímetro digital - para medir voltaje de CA y resistencia.
- Manómetro de alta presión - para controlar la presión de la bomba contra los valores de la placa de datos.

#### Antes de comenzar:

- Inspeccione visualmente el equipo para detectar daños evidentes.
- Controle todo el cableado buscando conexiones sueltas y aislamiento desgastado.

Los componentes deben reemplazarse solo luego de que cada paso se haya completado y se sugiera el reemplazo. Consulte las secciones sobre mantenimiento, según sea necesario para obtener información sobre los procedimientos de desarmado y reemplazo del componente una vez identificado el problema. Consulte la secuencia de funcionamiento del sistema que se incluye en esta sección para comprender cómo funciona el equipo durante una demanda de calor. Comprender la secuencia de funcionamiento del módulo de encendido y los componentes asociados es fundamental, dado que se relaciona directamente con los procedimientos de resolución de problemas suministrados en los diagramas.

#### SECUENCIA DE FUNCIONAMIENTO:

- Voltaje de línea conectado al receptáculo de energía del calentador.
  - Voltaje de línea de visualización del voltímetro.
- Se envía voltaje de línea al:
  - Terminal de interruptor selector 2
  - Terminal de relé de motor principal 2
  - Terminal de control del calefactor "L1"
- Selector puesto en modo calor.
  - Voltaje de línea enviado a la salida del termostato.
- El termostato demanda calor o el interruptor del termostato está puesto en manual.
  - El selector del termostato envía voltaje al terminal "W" del control del calefactor.
  - LED del termostato activado indicando una demanda de calor.
  - El voltaje de línea es enviado desde el controlador del calefactor "PSO" al límite superior de restablecimiento manual.
  - El voltaje de línea regresa a "PSI" en el control del calefactor.
  - El voltaje de línea se envía al control del quemador.
  - El motor del quemador arranca.
  - El LED de límite superior destella
- 45 segundos después de que el control del quemador recibe energía.
  - Se produce el encendido
- 30 segundos después de producido el encendido, el voltaje de línea se envía desde "IND" al terminal 0 del relé de motor principal.
  - El relé se cierra, el motor principal se energiza.
- El LED del motor principal se enciende.
  - El LED de Límite/Purga deja de destellar
- El termostato se abre una vez satisfecha la demanda de calor.
  - El LED del termostato se apaga
  - El control del quemador cierra la válvula solenoide de aceite.
  - El motor del quemador seguirá funcionando durante un breve período.
  - El motor principal continúa recibiendo voltaje de línea (pos-purga) durante 180 segundos.
  - El LED de Límite destella
- Pasados 180 segundos, el control del calefactor desactiva el motor principal
  - LED de Límite apagado
  - LED del motor principal apagado

## Resolución de problemas de los componentes del impulsor del ventilador

C1500 / C1750

PROBLEMAS	CAUSA	SOLUCIÓN
<b>La correa se desliza</b>	Poleas gastadas (las correas sobresalen de las ranuras)	Reemplace las poleas
	Aceite o grasa en la correa	Limpie las poleas o la correa.
<b>La correa se rompe</b>	Instalación incorrecta de la correa La correa se desprendió de las poleas con herramientas afiladas o puntiagudas.	Coloque correctamente la correa nueva.
<b>La correa se sale de las ranuras de las poleas</b>	El impulsor está mal alineado	Controle y vuelva a alinear
	Ingresa suciedad a las poleas	Extraiga la correa, limpie las poleas
<b>Agrietamiento de la correa</b>	Suciedad o grasa en la correa o la correa está vieja	Extraiga la suciedad o reemplace la correa.
<b>La correa se desgasta rápidamente</b>	Poleas desgastadas	Reemplace las poleas
	Suciedad en las poleas	Extraiga la suciedad

## Resolución de problemas del modo calefacción

Problema	Solución
El voltímetro, el termostato, el motor principal y los LED de límite alto están ENCENDIDOS	Verifique el interruptor de límite alto manual, reinicie o reemplace
Los LED del voltímetro y del termostato están ENCENDIDOS, pero el motor del quemador no arranca.	Compruebe la celda de cad, limpie o reemplace.
	Compruebe el interruptor de límite alto automático.
Solo el voltímetro está encendido	El termostato está por debajo del punto de ajuste, ajuste la configuración del termostato o el interruptor selector del termostato está configurado en el termostato
Los LED del voltímetro, termostato y motor principal están ENCENDIDOS, pero el motor del ventilador no arranca.	Motor de ventilador principal defectuoso, reemplace el motor
	Correa rota
	Controlador del calefactor averiado
	Relé en malas condiciones
El solenoide no se abrirá	Compruebe la potencia del solenoide
	Solenoide defectuosos, reemplazar
El solenoide no se abrió	Controle la energía al solenoide
	Solenoide defectuoso, reemplácelo
El solenoide se abre pero no se detecta ni se enciende el fuel oil	Abra todas las válvulas de cierre manual
	Controle la presión de la bomba
	Sin combustible
	Acoplamiento de bomba defectuoso
El solenoide se abre, se detecta el fuel oil, pero no enciende	Controle los resortes del transformador de encendido
	Controle la distancia del encendedor
	Transformador de encendido defectuoso.
El encendido se produce, luego se apaga	Controle que la célula CAD no tenga defectos ni grietas
	Controle la conexión de la célula CAD
	Controle la ubicación de la célula CAD
	Problema de falla a tierra
	Tamaño incorrecto del calibre del cable eléctrico.

## Resolución de problemas del modo calefacción (continuación)

Problema	Solución
Motor del quemador funcionaba y se apagó	Se desconectó el interruptor de sobrecarga del motor
	Se desconectó el interruptor de límite superior automático
	Relé del quemador principal defectuoso
El motor del quemador tiene un zumbido	Bloqueo del motor
	La turbina está agarrotada
	Voltaje incorrecto
El motor del quemador no se enciende	Controle la conexión del cable de motor del quemador
	Se desconectó el interruptor de límite superior automático
	Se desconectó el interruptor de sobrecarga del motor del quemador
	Relé del quemador principal defectuoso

\* Desconectar la energía al controlador del tablero de circuitos del quemador no restablece el controlador del quemador.

## Resolución de problemas del modo ventilación

Problema	Solución
El motor principal del ventilador no funciona.	Controle si el motor del ventilador tiene energía
	Relé del motor en malas condiciones
	Conexiones eléctricas en malas condiciones
El motor principal del ventilador "hace un zumbido" o no funciona.	Controle si el ventilador está agarrotado o si el condensador tiene defectos

# Conexión eléctrica y diagrama de escalera

**COMPONENT CODE KEY**

AH-Auto High Limit/Reinteligencia automática  
 BC-Burner Control/Controlador de quemador  
 BNBurner motor/Motor de quemador  
 CC-Cast oil/Calefacción en combustible  
 DC-DC Converter/Convertidor  
 DDC-DC Drive/Controlador de motor  
 FI-Fuse 2A/ Fusible 2A  
 HC-Heater Control/Control del calefactor  
 HLS LED-High limit switch, LED/LED de temperatura límite de interruptor de límite alto

HM-Hour Meter/ Medidor de Horas  
 IG-Igniter/Alumbrador  
 ITH-1000 Transponder/Transmisor de encendido del quemador  
 MBR>Main burner relay/Relés de quemador principal  
 MM>Main motor/ventilador

MH-Main burner manual/manuale/Remedio manual  
 MFR>Main fan relay/Relés de ventilador principal  
 MF LED>Main fan LED/ventilador principal de aceite  
 OV-Overvoltage/ sobrecarga de voltaje de aceite

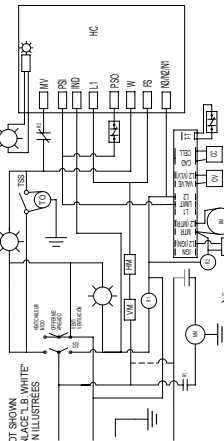
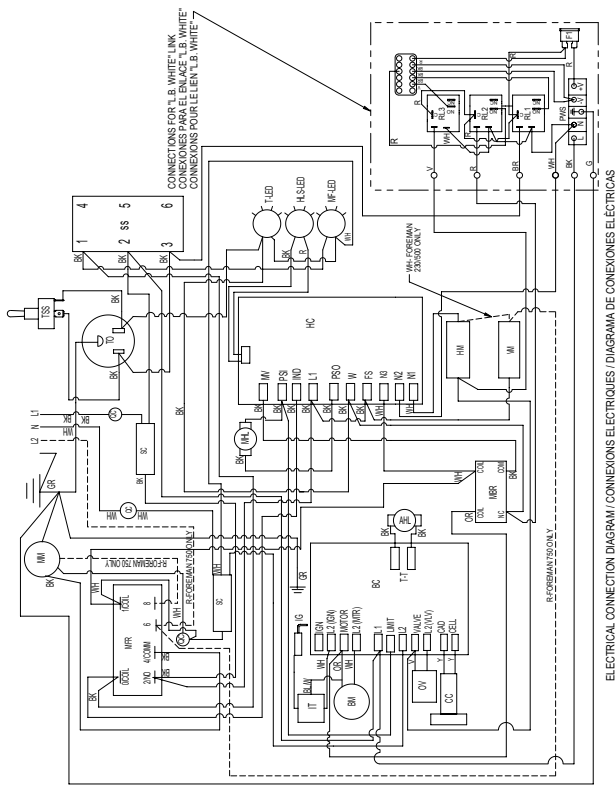
PO-Power Outlet/Prise de Courant/  
 PMS-Power Supply Source De Courant/ Fuente de Alimentación  
 CC-Quick connect/Conector de cable  
 SS-Stop Switch/Interruptor de Selección

R1-Relay 1 is Number/Relais 1 est un nombre/Relé, es número  
 T-LED/LED thermostat  
 TO-Thermostat outlet/ Salida de Termostato  
 TSS-Thermostat Switch/ Interruptor de Termostato

VM-Measur de Volts/ Medidor de Voltios  
 LED/Volent DEL/Luz LED  
 W-White/Blanco  
 Y-Yellow/Amarillo

**WIRE COLOR CODE KEY**

BK-Black/ Negro  
 BU/W-Blue white stripe/Blanco y azul  
 BR-Orange/ Naranja  
 G-Green/ Verde  
 O-Orange/ Naranja  
 R-Red/ Rojo  
 W-White/ Blanco  
 Y-Yellow/ Amarillo



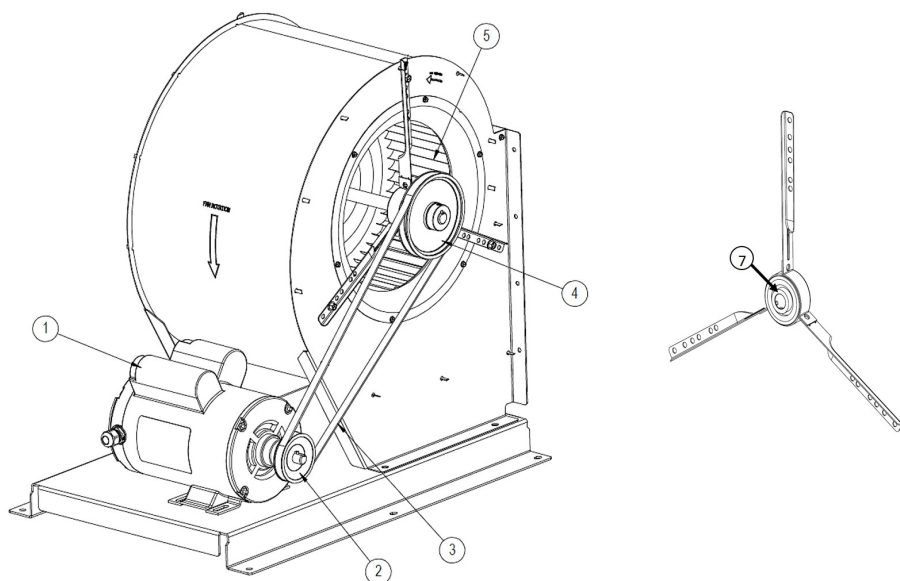
CONNECTIONS FOR L.B. WHITE\*LINK ONLY  
 NOSE ALIESTRAN LAS CONEXIONES PARA EL BLANCO\*LINK  
 CONNEXIONS POUR LE LIEN\*LIEN\*NON ILLUSTREES

ELECTRICAL LADDER DIAGRAM / DIAGRAMME EN ESCALIER / DIAGRAMA ELECTRICO DE ESCALERA

IF ANY OF THE ORIGINAL WIRING AS SUPPLIED WITH THE HEATER MUST BE REWAS ACHED WITH WIRING MATERIAL HAVING A TEMPERATURE RATING OF AT LEAST 302°F (150°C).  
 SI SE DEBE CAMBIAR CUALQUIER CABLE ORIGINAL PROPORCIONADO CON EL APARATO, SE DEBE CAMBIAR POR UN CABLE CON UNA CLASIFICACION DE TEMPERATURA DE AL MENOS 302°F (150°C).

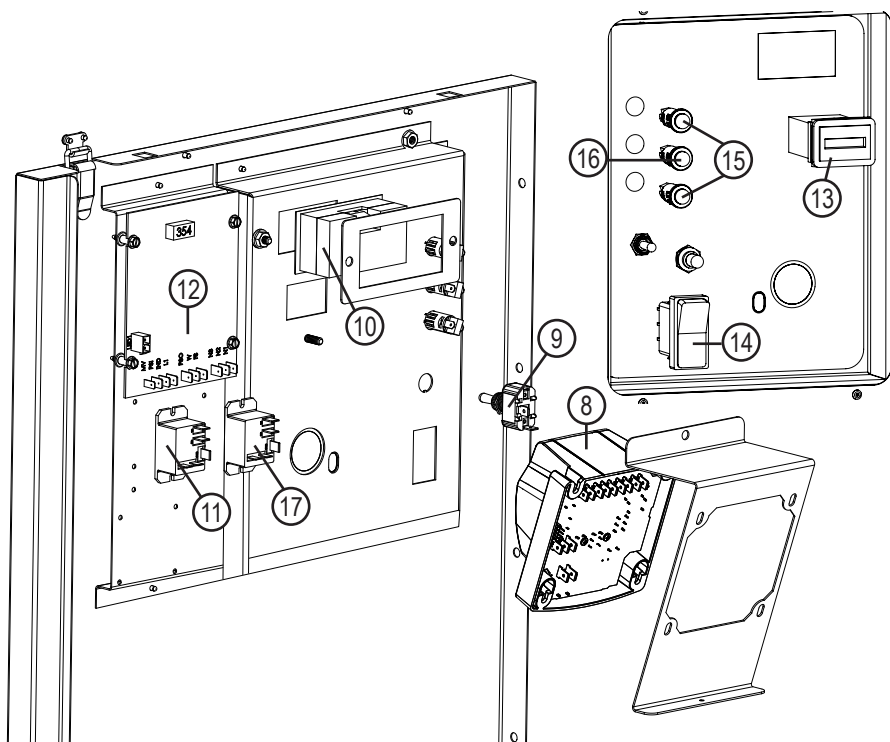
## Lista de piezas - Motor del ventilador / Rueda del ventilador

Se muestra la configuración del soplador CI500 / CI750



Item	Description	CI230	CI500	CI750
1	Motor	574120	573565	573686
2	Polea, Motor	--	573569	573683
3	Correa, Power Twist, A/13/4L, 64 connexions	--	573552	574164
4	Polea	--	573573	573684
5	Rueda, ventilador de	574123	573581	573694
6	Eje, conjunto del ventilador	--	573572	
7	Conjnete, cartucho de goma	--	573696	

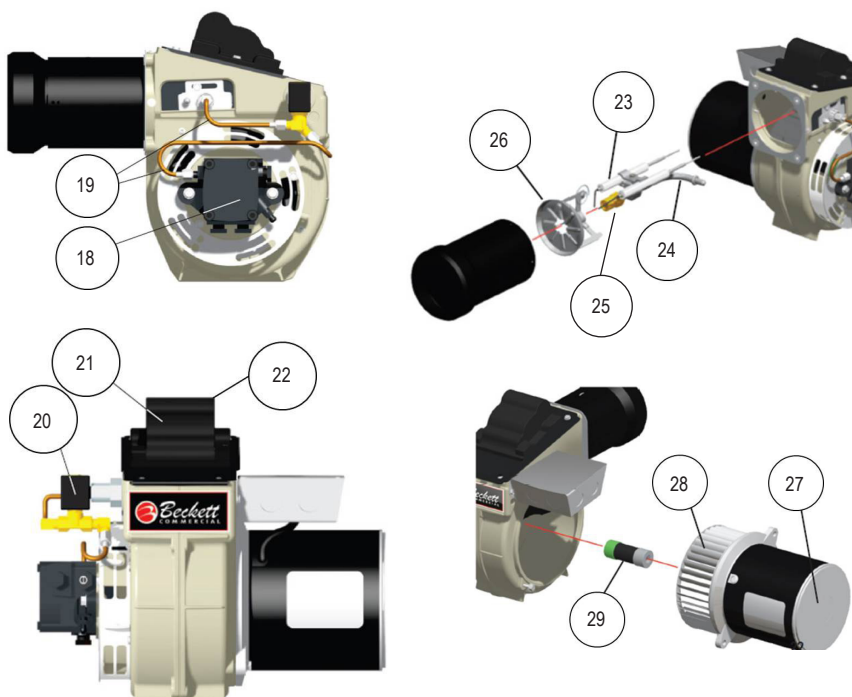
## Lista de piezas - Caja de control



Item	Description	CI230	CI500	CI750
8	Controlador, quemador, GeniSys 7575		573649	
9	Interrupor de palanca con arranque		571907	
10	Voltímetro		573947	
11	Relé, bobina 120VAC	574253		570221
12	Control, Construcción		573553	
13	Contador horas		574121	
14	Interrupor, basculante, DPDT		574122	
15	LED, complemento, verde, 120 V, lentes al ras		573770	
16	LED, complemento, rojo, 120V		573564	
17	Relé, bobina 120VAC		574253	

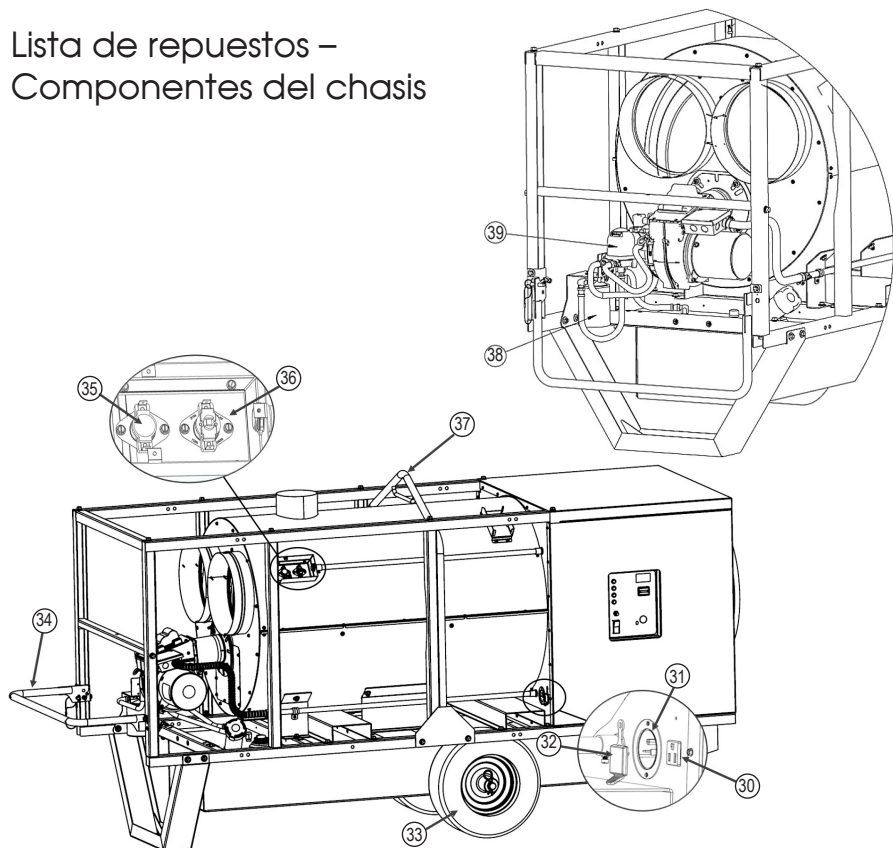


## Lista de repuestos – Componentes del quemador



Item	Description	CI230	CI500	CI750
18	Bomba de combustible	574134		573645
19	Línea de combustible	574137		573646
20	Válvula solenoide de fuel oil	--		573647
21	Célula CAD (no se muestra)		573658	
22	Transformador de encendido	574135		573648
23	Encendedor de bujía		573650	574185
24	Montaje de línea de boquillas	--	573651	573714
25	Nozzle	574179	574060	573752
26	Montaje del cabezal, CF500 - KK	--		573652
27	Motor, 1/3 PSC	574131		573653
28	Turbina, 5-19/32" x 2-13/32"	574132		573654
29	Acoplamiento de la bomba	574136		573655

## Lista de repuestos – Componentes del chasis



Item	Description	CI230	CI500	CI750
30	Receptáculo, NEMA, CA hembra, a presión	573570		
31	Entrada, brida, hoja recta, eléctrica	574125	574126	574127
32	Tapa, toma de corriente	574138		
33	Rueda	573991	573581	
34	Asa, elevación, trasera	574428	573560	
35	Interruptor, límite, quemador, restablecimiento auto	573575	573660	
36	Interruptor, límite superior, 250°F	571671		
37	Asa, elevación, bala	574139	573561	
38	Filtro de combustible	573662		
39	El desaireador de combustible	500-131261*		573747
40	Termosta c/cable de 25 pies* (no mostrado)	500-30125*		

\*Accesoires opcionales

## Notas

## Notas

# Política de garantía

## **CALEFACTOR**

L.B. White Co., LLC garantiza que las piezas de su calefactor no tendrán defectos materiales ni de mano de obra si se instalan, se hacen funcionar y se someten a mantenimiento correctamente conforme a las Instrucciones de instalación y mantenimiento, las guías de seguridad, y las etiquetas de cada unidad. Si dentro de los 24 meses a partir de la fecha de compra por el usuario final, se encuentran defectos en algún componente, L.B. White Co., LLC, según su criterio, reparará la pieza o el calefactor defectuosos o los reemplazará por una piezas o un calefactor nuevo, F.O.B. (Onalaska, Wisconsin). Al registrar su producto en línea con L.B. White habilitará automáticamente la garantía para la unidad y sus componentes. Si un producto no se registra en L.B. White, se necesitará una copia de la factura para establecer los requisitos de la garantía. Si nada de lo anterior está disponible, el período de garantía será de 24 meses a partir de la fecha del envío por parte de L.B. White.

## **PIEZAS**

L.B. White Co., LLC garantiza que los repuestos comprados a la empresa y usados en el equipo L.B. White pertinente no tendrán defectos materiales ni de mano de obra durante 24 meses a partir la fecha de compra por el usuario final. La garantía es automática si se encuentra que un componente tiene defectos dentro de los 24 meses del código de fecha marcado en la pieza. Si el defecto ocurre más de 24 meses después del código de fecha pero dentro de los 24 meses de la fecha de compra por el usuario final, se solicitará una copia de la factura de venta para establecer los requisitos de la garantía.

La garantía descrita anteriormente es la exclusiva garantía otorgada por L.B. White, y cualquier otra garantía, incluida una garantía implícita o comerciabilidad o idoneidad para un propósito en particular, queda expresamente excluida. En el caso de una garantía implícita que no quede efectivamente excluida en el presente documento por efecto de la ley, tal garantía implícita estará limitada

a la duración de la correspondiente garantía antes mencionada. Los recursos establecidos anteriormente son los exclusivos recursos disponibles conforme al presente documento. L.B. White no se hará responsable por los daños y perjuicios derivados o emergentes directa o indirectamente relacionados a la venta, el manejo o el uso del equipo, y en todo caso la responsabilidad de L.B. White con respecto al equipo, incluidos los reclamos por negligencia o responsabilidad estricta, estará limitada al precio de compra.

Algunos estados no permiten limitaciones respecto de la duración de una garantía implícita. Por lo tanto, la limitación anterior podría no aplicarse a usted.

Algunos estados no permiten la exclusión o limitación de daños y perjuicios derivados o emergentes; por lo tanto, la limitación o exclusión de arriba podría no aplicarse a usted. Esta garantía le otorga derechos legales específicos, y usted también podría tener otros derechos que varían de un estado a otro.

Para registrar su producto y asegurarse de contar con la garantía completa, visite:

[http://www.lbwhite.com/customer\\_care\\_center/product-registration/](http://www.lbwhite.com/customer_care_center/product-registration/). Por favor, tenga a mano el número o los números de serie y modelo de los productos que registrará.

## Mantenimiento

Póngase en contacto con su distribuidor local de L.B. White para acceder a repuestos y mantenimiento. También puede llamar a L.B. White Co., LLC al 1-800-345-7200, para obtener asistencia, o enviar un correo electrónico a [customerservice@lbwhite.com](mailto:customerservice@lbwhite.com).

Cuando llame, asegúrese de contar con el número de modelo del calefactor y el número de configuración.



## **PROVEEDOR MUNDIAL; SOLUCIONES DE CALEFACCIÓN INNOVADORAS**

411 Mason Street, Onalaska, WI 54650

800-345-7200 • 608-783-5691

608-783-6115 (fax)

**[www.lbwhite.com](http://www.lbwhite.com)**



## Foreman

Fornaise à huile  
canalisable à  
chauffage indirect

**CI230** 230 000 Btu/h / 67,4 kW  
**CI500** 500 000 Btu/h / 146,54 kW  
**CI750** 750 000 Btu/h / 219,8 kW

Mazout N°1 / N°2

Consultez ce manuel en ligne au [www.lbwhite.com](http://www.lbwhite.com)

### Attention

Cette fournaise a été testée et évaluée par OMNI Test Laboratories conformément aux exigences de CSA B140.8-1967(2015) et UL 733-2019 et est inscrite et approuvée comme fournaise de construction à air forcé canalisable, à huile et à chauffage indirect pour le chauffage temporaire d'édifices lors de la construction, de modifications ou de réparations. **VÉRIFIEZ AVEC VOTRE AUTORITÉ LOCALE CHARGÉE DE LA SÉCURITÉ-INCENDIE, VOTRE FOURNISSEUR DE GAZ COMBUSTIBLE OU LA SOCIÉTÉ L.B. WHITE SI VOUS AVEZ DES QUESTIONS CONCERNANT LES APPLICATIONS OU L'INSTALLATION**

[www.lbwhite.com](http://www.lbwhite.com)



Rapport n° : 0545HH002S



### Félicitations!

Vous avez acheté la meilleure fournaise à flux de chaleur disponible. Votre nouvelle fournaise L.B. Le radiateur blanc intègre les avantages du fabricant de produits de chauffage le plus expérimenté qui utilise une technologie de pointe.

L'équipe de L.B. White, vous remercie de la confiance que vous accordez à nos produits et indique qu'elle est ouverte à vos suggestions ou vos commentaires, pour se faire, communiquez avec nous sans frais au 1 800-345-7200.

### REMARQUER

**Les instructions d'installation contenues dans ce document sont celles de L.B. White Co., LLC. recommandations et directives suggérées pour l'installation temporaire ou permanente du L.B. White Co., LLC. chauffages. Les exigences des codes électriques et de sécurité nationaux, locaux et nationaux remplacent ces directives.**

**VOIR LES INSTRUCTIONS  
D'ASSEMBLAGE  
À L'INTÉRIEUR**

Veillez vous référer aux renseignements importants concernant l'altitude sur la couverture intérieure.



### BALAYEZ CECI

avec votre téléphone intelligent ou visitez <http://goo.gl/nvneR> pour voir les vidéos d'entretien pour les fournaises L.B.White.\*

\* Nécessite une application comme QR Droid pour Android ou pour iPhone

**FOURNISSEUR GLOBAL - SOLUTIONS CLIMATIQUES INNOVANTES**

411 Mason Street, Onalaska, WI 54650 • 800 345-7200 • 608 783-5691 • 608 783-6115 (télécopie) • [www.lbwhite.com](http://www.lbwhite.com)

## TABLE DES MATIÈRES

Spécification .....	4
Informations générales et précautions de sécurité .....	5
Déplacement / transport de l'appareil de chauffage .....	8
Instructions générales d'installation.....	9
L.B. White LINK.....	12
Instructions de démarrage.....	13
Verrouillage de sécurité .....	14
Instructions d'arrêt.....	15
Instructions de nettoyage / entretien .....	15
Instructions d'entretien .....	16
Guide de dépannage.....	22
Câblage électrique / schéma à échelle.....	25
Liste des pièces.....	26
Politique de garantie.....	32



### AVERTISSEMENT

Les produits standards sont fabriqués pour être utilisés avec une efficacité optimale à une altitude entre 0 et 2000 pi au-dessus du niveau de la mer.

S'il est utilisé à une altitude plus élevée, le produit ne fonctionnera pas correctement et pourrait fonctionner d'une manière non sécuritaire.

Des produits fonctionnant correctement à une altitude plus élevée pourraient être disponibles.

Si vous avez besoin d'un produit pour une altitude plus élevée, que vous ne l'avez pas spécifié lors de la commande ou que la boîte dans laquelle cet appareil a été livré ne comportait pas d'étiquette avec une désignation d'altitude différente, veuillez contacter le soutien technique.

**AVERTISSEMENT GÉNÉRAL DE DANGER**

Le défaut de se conformer aux précautions et instructions fournies avec cette fournaise pourrait entraîner :

- Un décès
- Des blessures ou des brûlures graves
- Un dommage à la propriété ou une perte due à un incendie ou une explosion
- Une asphyxie due à un manque d'air adéquat ou un empoisonnement au monoxyde de carbone
- Un choc électrique
  - Lire ce manuel du propriétaire avant d'installer ou d'utiliser cette fournaise.
  - Seul le personnel de service correctement entraîné devrait réparer ou installer cette fournaise.
  - Conserver ce manuel du propriétaire pour utilisation et référence futures.
  - Les manuels du propriétaire et les étiquettes de remplacement sont disponibles sans frais. Veuillez contacter L.B. White au 800 345-7200 pour obtenir de l'aide.

**AVERTISSEMENT**

- Conserver tous les matériaux combustibles loin de cette fournaise.
  - Dégagements minimums
  - Sortie : 1,83 m (6 pi)      Côtés : 0,30 m (1 pi)
  - Dessus et arrière : 0,91 m (3 pi)
- Ne JAMAIS utiliser de carburant comme la gazoline, le benzène, les diluants à peinture ou d'autres composés d'huile dans cette fournaise (RISQUE D'INCENDIE OU D'EXPLOSION).
- Ne JAMAIS utiliser cette fournaise dans un endroit où des vapeurs inflammables pourraient être présentes.
- Ne JAMAIS remplir le réservoir de carburant de la fournaise lorsque celle-ci fonctionne ou qu'elle est encore chaude. Cette fournaise est EXTREMEMENT CHAUDE lorsqu'elle fonctionne.
- Ne JAMAIS bloquer l'entrée d'air (arrière) ou la sortie d'air (avant) de la fournaise.
- Ne JAMAIS déplacer ou manipuler la fournaise lorsqu'elle est encore chaude.
- Ne JAMAIS transporter la fournaise lorsqu'il y a du carburant dans son réservoir.
- Lorsqu'elle est utilisée avec un thermostat en option ou qu'elle est munie d'un thermostat, la fournaise peut démarrer n'importe quand.
- TOUJOURS placer la fournaise sur une surface stable et au niveau.
- Ne JAMAIS utiliser de carburant autre que du diesel N°1/N°2 dans cette fournaise.
- Le stockage de carburant en vrac devrait être à un minimum de 25 pi des fournaises, des torches, des génératrices portatives ou d'autres sources d'allumage. Tout stockage de carburant devrait être conforme aux normes des autorités fédérales, d'État et locales compétentes.

**AVERTISSEMENT****Risque d'incendie et d'explosion**

- Conserver les combustibles solides à une distance sécuritaire de la fournaise.
- Les combustibles solides comprennent le bois, les produits de papier, les plumes, la paille et la poussière.
- Ne pas utiliser la fournaise dans des espaces qui contiennent ou pourraient contenir des combustibles volatils ou en suspension dans l'air ni des gaz inflammables.
- Les combustibles volatils ou en suspension dans l'air et les gaz inflammables comprennent le grisou, la gazoline, les solvants, les diluants à peinture, les particules de poussières et les produits chimiques inconnus.
- Ne pas suivre ces instructions pourrait entraîner un incendie ou une explosion.
- Un incendie ou une explosion peuvent entraîner un dommage à la propriété, une blessure ou une perte de vie.

**AVERTISSEMENT****Risque d'incendie et d'explosion**

- Pas pour une utilisation dans une maison ou un véhicule récréatif.
- L'installation de cette fournaise dans une maison ou un véhicule récréatif peut entraîner un incendie ou une explosion.
- Un incendie ou une explosion peuvent entraîner un dommage à la propriété ou une perte de vie.

**POUR VOTRE SÉCURITÉ**

Ne pas entreposer ni utiliser de gazoline ou autres vapeurs et liquides inflammables dans le voisinage cet appareil ou de tout autre appareil.



## Spécifications

		CI230	CI500	CI750
Type de carburant		Mazout N°1 ou N°2		
Entrée maximale (Btu/h / kWh)		230 000 / 67,4	500 000 / 146,5	750 000 / 219,8
Débit d'air (pi <sup>3</sup> /min)		1600	3457	4280
Pression de pompe (psi/kPa)		180 / 1241	150 / 1034	
Injecteur		1,25 GPH x 60B	2,75 GPH X 60 B	4,0 GPH X 60 B
Capacité du réservoir de carburant (gal/litre)		42 / 159	61 / 231	
Allure de chauffe (GPH/LPM)		1,7 / 0,11	3,6 / 0,23	5,4 / 0,34
Caractéristiques du moteur		Roulements à bille, 0,5 H.P. / 373 Watts, 1 725 RPM	Roulements à billes, 1,5 H.P. / 1 119 Watts, 1 725 RPM	Roulements à billes, 2,0 H.P. / 1 491 Watts. 1 725 RPM
Vitesse du ventilateur (tr/min)		1 725	1 000	
Alimentation électrique (Volts/Hz/phase)		120/60/1	120/60/1	240/60/1
Intensité en ampères	Démarrage	32	35	35
	Fonctionnement continu (FLA)	9	14,8	12
Dimensions (pouces / cm) L x l x P		23,7 x 10,5 x 17,0 / 60,2 x 26,6 x 43,3	92,5 x 32 x 44,5 / 235 x 813 x 113	
Distances sécuritaires minimales aux matériaux combustibles les plus proches (pieds / mètres)	Haut:	3,0 / 0,91		
	Côtés:	1,0 / 0,30		
	Arrière:	3,0 / 0,91		
	Sortie souffleur:	6,0 / 1,83		
Conteneur de stockage de carburant en vrac: (pieds / mètres)		25 / 7,62		
Température ambiante minimum à laquelle la fournaise peut être utilisée (°F / °C)		-20 / -29		
Poids net (lbs. / kg)		396 / 179.6	805 / 365.1	826 / 374.7

## Informations générales

Ce manuel du propriétaire comprend les accessoires communément utilisés sur cette fournaise. Ces accessoires doivent être commandés séparément.

Lorsque vous appelez le soutien technique du service, ou pour d'autres renseignements spécifiques, ayez **toujours** le numéro de modèle, le numéro de configuration et le numéro de série en main. Ces renseignements se trouvent sur la plaque signalétique.

Ce manuel vous indiquera comment utiliser et entretenir votre appareil. Demandez à votre installateur de réviser ce manuel avec vous afin de comprendre parfaitement la fournaise et son fonctionnement.

Contactez votre distributeur local L.B. White ou L.B. White Co., LLC pour de l'aide ou si vous avez des questions au sujet de l'utilisation de l'équipement ou son application.

L.B. White Co., LLC a une politique d'amélioration continue du produit. Elle se réserve le droit de modifier les spécifications et la conception sans préavis.

## Vue d'ensemble

La fournaise est munie d'un ensemble de brûleur. Cet ensemble inclut un allumeur électronique, des électrovalves et une tête de brûleur avec orifice. Lorsque la fournaise est allumée, l'allumeur produit une étincelle pendant que le gaz est amené à l'orifice du brûleur à travers les électrovalves. L'allumage se produit.

Le brûleur réchauffe l'échangeur d'air. Lorsqu'une période prédéterminée est écoulée, un contrôleur de ventilateur démarre le moteur du ventilateur principal et envoi de l'air froid sur l'échangeur d'air. L'air froid est préchauffé en passant au-dessus de l'échangeur d'air, et de l'air chaud et sec est amené à la zone à chauffer.

Les sous-produits de combustion créés durant le processus de chauffage sont transférés par une colonne de ventilation directement vers l'extérieur, fournissant ainsi uniquement de l'air propre et sec à la zone chauffée.

Lorsqu'on éteint la fournaise, l'électrovanne de mazout sera désactivée, coupant le carburant vers la buse du brûleur. Le moteur du brûleur continuera à fonctionner pendant une courte période. Le contrôleur de ventilateur continue à faire fonctionner le moteur du ventilateur principal pendant une période prédéterminée pour permettre de refroidir l'échangeur d'air. Lorsque cette période est terminée, le contrôleur de ventilateur déconnecte l'alimentation au moteur du ventilateur, arrêtant alors complètement le moteur du ventilateur.

## Précautions de sécurité



### AVERTISSEMENT

#### Danger d'asphyxie

- Ne pas utiliser cette fournaise pour chauffer les zones d'habitation humaine, les garages, les ateliers et autres endroits confinés semblables.
- Le flux de combustion et l'air de ventilation ne doivent pas être obstrués.
- On doit fournir un air de ventilation adéquat pour soutenir les exigences d'air de combustion de la fournaise utilisée.
- Le manque d'air de ventilation adéquat cause une combustion inadéquate.
- Une combustion inadéquate peut causer un empoisonnement au monoxyde de carbone ce qui peut entraîner une blessure grave ou la mort.  
Les symptômes d'un empoisonnement au monoxyde de carbone peuvent inclure des maux de tête, un étourdissement et de la difficulté à respirer.
- On doit fournir de l'air de ventilation adéquat pour la combustion conformément à OSHA 29 CFR 1926.154, Dispositifs de chauffage temporaires, ANSI A10.10, Exigences de sécurité pour les dispositifs de chauffage temporaires et portatifs, ou le code d'installation du gaz propane et du gaz naturel, CAN/CSA B149.1 le cas échéant.



### PRÉCAUTIONS

#### Risque d'incendie et de brûlure

- Chaud pendant le fonctionnement
- Ne pas toucher
- Garder les enfants, les vêtements et les combustibles hors de portée.

## QUALIFICATIONS POUR ENTRETIEN ET INSTALLATION :

1. Ne pas tenter d'installer, de réparer ou d'entretenir cette fournaise à moins d'avoir une formation continue en tant qu'expert et connaître les fournaises à carburant liquide.

Les qualifications pour l'entretien et l'installation de cet équipement sont les suivantes :

Pour être qualifié en tant que personne de service pour fournaise à carburant liquide, vous devez avoir une formation et une expérience suffisante pour traiter tous les aspects de l'installation, de l'entretien et de la réparation de fournaise à carburant liquide à chauffage indirect. Cela inclut les tâches d'installation, de dépannage, de remplacement de pièces défectueuses et le test de la fournaise. Vous devez être capable de conserver la fournaise en condition de fonctionnement continue sécuritaire et normale. Vous devez vous familiariser complètement avec la fournaise en lisant et en vous conformant aux instructions de sécurité, aux étiquettes, au manuel du propriétaire, etc., qui sont fournis avec chaque fournaise.

2. Toutes les installations et les applications de fournaises L.B. White doivent répondre à tous les codes locaux, d'État et nationaux pertinents. Cela inclut les codes électriques et de sécurité. Votre fournisseur local de carburant, un électricien qualifié local, le service des incendies local ou des agences gouvernementales similaires, ou encore votre agent d'assurance peuvent vous aider à déterminer les exigences du code.

Consultez les documents suivants :

- ANSI/NFPA 70, Code national de l'électricité.
- ANSI A10.0, 1990 Plus récente édition des exigences de sécurité pour les dispositifs et l'équipement de chauffage temporaire et portatif utilisés dans l'industrie de la construction.
- Norme CSA B139-1962, Code d'installation des appareils de combustion au mazout pour les méthodes d'installation recommandées.

3. La zone entourant la fournaise doit demeurer dégagée et libre de matériaux de construction, de gazoline et d'autres vapeurs et liquides inflammables.
4. Nous ne pouvons pas anticiper toutes les utilisations qui pourraient être faites de nos fournaises. Vérifier avec l'autorité locale chargée de la sécurité incendie si vous avez des questions au sujet des applications.
5. Aux fins de sécurité, cette fournaise est munie d'un ventilateur et d'interrupteurs de haute température. Ne jamais utiliser la fournaise lorsqu'un dispositif de sécurité a été contourné. Ne pas utiliser cette fournaise à moins que ces fonctionnalités soient entièrement fonctionnelles.

6. Ne pas placer les contenants de carburant près de la sortie du ventilateur de la fournaise.
7. Ne pas ajuster l'alimentation en air ou en carburant pour la combustion. Cela pourrait causer une combustion et un fonctionnement incorrects de la fournaise.
8. Ne pas bloquer les entrées d'air ou les sorties d'évacuation de la fournaise. Cela pourrait causer une combustion incorrecte ou un dommage aux composants de la fournaise entraînant un dommage à la propriété.
9. Vérifier s'il y a présence de fuites de carburant et si le fonctionnement est adéquat après l'installation de la fournaise, lors de sa réinstallation ou après son entretien.
10. Un membre qualifié du personnel de service devrait inspecter le fonctionnement adéquat de cette fournaise avant chaque utilisation, au moins une fois par quart de travail et au moins annuellement.
11. Cette fournaise est munie d'une fiche à trois broches (à mise à la terre) pour votre protection contre les risques de décharge électrique et elle doit être branchée directement dans une prise à trois broches avec mise à la terre adéquate. Ne pas utiliser une prise adéquatement mise à la terre peut entraîner une décharge électrique, une blessure ou la mort.
12. Lire et comprendre tous les avertissements. Conserver ce manuel pour référence. Il est votre guide pour un fonctionnement sécuritaire et adéquat de cette fournaise.
13. N'utiliser que les carburants recommandés pour éviter un risque d'incendie ou d'explosion. Ne jamais utiliser de gazoline, de naphtha, de diluants à peinture, d'alcool ou autres carburants extrêmement inflammables.
14. Ravitaillement en carburant :
  - a. Le personnel impliqué dans le ravitaillement doit être qualifié et parfaitement au courant des instructions du fabricant et des réglementations applicables concernant le ravitaillement sécuritaire en carburant des appareils de chauffage.
  - b. Utiliser uniquement le type de carburant spécifié dans le manuel.
  - c. Toutes les flammes doivent être éteintes et la fournaise doit être refroidie avant le ravitaillement.
- d. Lors du ravitaillement, toutes les entrées de carburant et les raccords de ligne de carburant doivent être inspectés pour déceler la présence de fuites. Toute fuite doit être réparée avant de remettre la fournaise en service.

- e. En tout temps, il ne doit jamais y avoir plus d'une journée de ravitaillement en carburant de chauffage stocké à l'intérieur d'un édifice à proximité de la fournaise. Le stockage de carburant en vrac doit se faire à l'extérieur de la structure.
  - f. Tout le stockage de carburant doit être situé à un minimum de 7,62 m (25 pieds) de tout appareil de chauffage, toute torche, tout équipement de soudure et sources similaires d'allumage (exception : le réservoir de carburant intégré à l'intérieur de l'appareil de chauffage).
  - g. Chaque fois que cela est possible, le stockage de carburant doit être confiné aux zones où les pénétrations de plancher ne permettent pas que le carburant s'y écoule ou soit allumé par un incendie à un niveau plus bas.
  - h. Le stockage de carburant sera conforme aux prescriptions de l'autorité compétente.
  - i. Le stockage de carburant ne sera pas permis à moins de 3,05 m (10 pi) des pénétrations de plancher utilisées pour un accès vertical à moins qu'il ne soit séparé de la pénétration par des murs de maçonnerie pleine hauteur.
15. Utiliser uniquement dans des zones libres de vapeurs inflammables ou de contenu élevé en poussières.
  16. Installer la fournaise sur une surface stable et au niveau lorsqu'elle est chaude ou qu'elle fonctionne. Utiliser un niveau.
  17. Ne jamais démarrer la fournaise si du carburant s'est accumulé dans la chambre de combustion.
  18. La fournaise peut démarrer n'importe quand lorsqu'elle est utilisée avec un thermostat.
  19. Lorsque la fournaise est entreposée, elle doit être de niveau.
  20. Ne jamais déplacer, manipuler, ravitailler ou faire de l'entretien sur une fournaise chaude, en cours de fonctionnement ou branchée.
  21. Suivre tous les codes locaux si vous raccordez la fournaise à une source de carburant externe.
  22. Les fournaises utilisées dans le voisinage de bâches, de canevas ou autres matériaux d'enveloppe similaire doivent être situées à une distance sécuritaire de ces matériaux. La distance sécuritaire minimum recommandée est de 3,05 m (10 pi). De plus, on recommande que ces matériaux d'en-

veloppe soient ignifuges. Ces matériaux d'enveloppe doivent être fixés sécuritairement pour les empêcher de s'enflammer ou de perturber la fournaise à cause de l'action du vent.

23. Débrancher la fournaise lorsqu'elle n'est pas utilisée.
24. Lorsque la fournaise est utilisée à l'intérieur d'une structure permanente ou temporaire, fermée ou partiellement fermée, on doit effectuer des tests afin de déceler la présence de monoxyde de carbone dans l'heure suivant le début de chaque quart de travail, et au moins quatre heures par la suite. Des tests immédiats, plus fréquents peuvent être indiqués selon les conditions de travail.

## Système de sécurité

**Contrôle de température élevée :** La fournaise est munie d'un interrupteur de température élevée conçu pour éteindre la fournaise si la température interne atteint un niveau non sécuritaire.



**Cellule au sulfure de cadmium :** Une résistance sensible à la lumière. Utilisée pour détecter la présence de lumière dans l'échangeur de chaleur, permettant à la fournaise de continuer à fonctionner.



Plage de détection de la flamme par la cellule au sulfure de cadmium. Condition normale=0 à 1600 ohms

## Déplacement/transport de l'appareil de chauffage

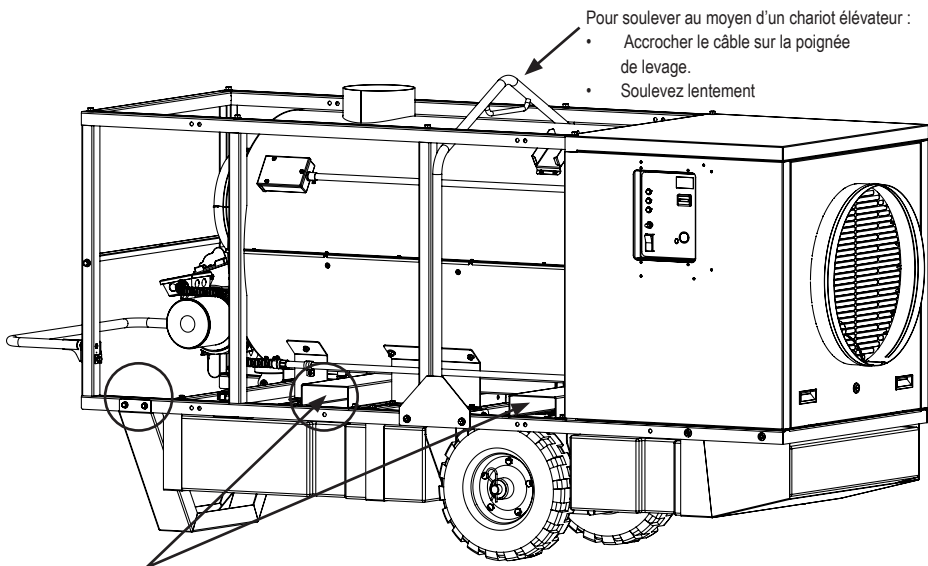


### ATTENTION:

- NE JAMAIS transporter l'appareil de chauffage alors qu'il est debout sur son extrémité (CI230).
- Assurez-vous que la taille nominale et la sangle de poids appropriées sont uniquement utilisées.

Fixation de l'appareil de chauffage sur une remorque ou un lit plat.

- Fixez les sangles au point le plus bas du cadre du radiateur. Voir le cercle des emplacements ci-dessous.
- Ne pas trop serrer. Trop de pression pourrait endommager votre sangle ou les roues du radiateur.
- Si vous ne pouvez pas passer un doigt entre la sangle et le radiateur, vous avez probablement trop serré.
- N'utilisez PAS la poignée de l'appareil de chauffage comme point de fixation de l'appareil de chauffage à la remorque.



#### CI500/CI750 seulement

- Pour utilisation sur chariot élévateur. Insérez les fourches ici en vous assurant que les deux passent complètement à travers les canaux.
- Point de fixation pour fixer les sangles de chauffage à la remorque pour le transport.

# Instructions d'installation générales



## AVERTISSEMENT

### Risque d'incendie et d'explosion

- Avant d'utiliser cette fournaise, veuillez lire attentivement ce MANUEL DE L'UTILISATEUR. Ce MANUEL DE L'UTILISATEUR a été conçu pour vous indiquer la bonne manière
- d'entretenir, de stocker et, plus important, comment utiliser la fournaise d'une manière sécuritaire et efficace.
- Ne jamais laisser la fournaise sans surveillance pendant qu'elle fonctionne!

1. Lire toutes les précautions de sécurité et suivre les recommandations de L.B. White lors de l'installation de cette fournaise. Si lors de l'installation ou de la réinstallation de la fournaise, vous soupçonnez qu'une pièce est endommagée ou défectueuse, appelez une agence d'entretien qualifiée pour effectuer la réparation ou le remplacement.
2. S'assurer au moyen d'un niveau que la fournaise est de niveau et bien positionnée avant l'utilisation. Respecter les distances minimales de sécurité entre la fournaise et les plus proches matériaux combustibles. Les distances sécuritaires sont données à la page 4 de ce manuel.
3. Cette fournaise peut être installée à l'intérieur ou à l'extérieur. Dans le cas d'installations intérieures, la sortie de la fournaise doit être canalisée vers l'extérieur. Voir la section de ce manuel concernant l'installation dans une structure intérieure.
4. Les fournaises utilisées dans le voisinage de bâches combustibles, de canevassés, de pare-vent ou autres protections similaires doivent être situées à au moins 3,05 m/10 pieds des protections. Celles-ci doivent être fixées sécuritairement pour les empêcher de s'enflammer ou de perturber la fournaise à cause de l'action du vent sur la protection ou sur un autre matériau.
5. Exigences relatives à la taille du câble du cordon de rallonge
  - CI230
    - Jusqu'à 15 m (50 pi), utilisez une rallonge de calibre 16 AWG
    - De 15 à 30 m (50 à 100 pi), utilisez une rallonge de calibre 14 AWG
    - Au-delà de 30 m (100 pi), consultez votre électricien
  - CI500/CI750
    - Jusqu'à 15 m (50 pi), utilisez une rallonge de calibre 12 AWG
    - Au-delà de 15 m (50 pi), utilisez une rallonge de calibre 10 AWG
6. Lorsque vous utilisez un réservoir de carburant externe, le brûleur pompe le carburant :
  - Augmentation de 10 pi si le réservoir se trouve sous la fournaise, ou
  - Course horizontale de 100 pi si elle se trouve sur le même niveau.
7. Allumer conformément aux instructions sur la fournaise ou à l'intérieur du manuel de l'utilisateur.
8. La fournaise doit être installée de façon à ne pas interférer ou obstruer les sorties normales, les sorties d'urgences, les portes et les allées.
9. On doit utiliser des garde-corps, des clôtures ou autres matériaux substitués appropriés pour éloigner l'équipement de chauffage des personnes utilisant ou visitant la structure.
10. La fournaise doit être située de manière à ce que la pluie, la glace ou la neige s'écoulant de la structure n'affectent pas son fonctionnement. Si la fournaise est installée à l'extérieur, elle doit être montée au-dessus de toute eau stagnante. Si l'appareil doit être installé sur le sol, on recommande de creuser une tranchée autour afin de permettre le drainage de toute pluie, glace ou neige loin de l'appareil.
11. Le sol et le terrain autour doivent être dégagés de toute végétation combustible ou de tout autre matériau combustible lorsque la fournaise est utilisée à l'extérieur.
12. Éventuellement, comme tout appareil électrique/mécanique, le thermostat peut faire défaut. Une défaillance de thermostat peut entraîner une condition de sous-chauffage. On doit tester le thermostat pour s'assurer qu'il allume et éteint la fournaise à l'intérieur d'un différentiel de température de  $\pm 1,5$  °F ( $\pm 3$  °C).
13. Toute défaillance trouvée lors d'une procédure d'entretien ou de maintenance doit être éliminée et les pièces défectueuses doivent être remplacées immédiatement. La fournaise doit être retestée par du personnel d'entretien adéquatement qualifié avant de remettre la fournaise en service.
14. Prendre le temps de comprendre comment utiliser et entretenir la fournaise en utilisant ce manuel du propriétaire

## Structure intérieure

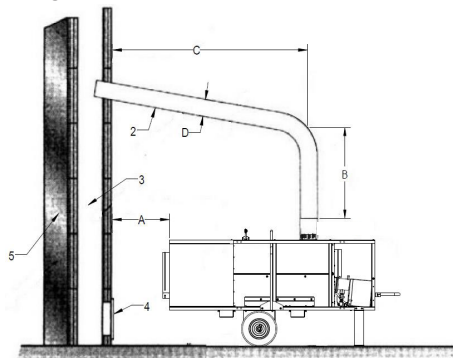
### **AVERTISSEMENT** Danger d'asphyxie

- Dans le cas des installations intérieures, la sortie de la fournaise doit être canalisée vers l'extérieur.
- Le défaut de se conformer peut entraîner une asphyxie due à un manque d'air adéquat ou un empoisonnement au monoxyde de carbone.
- Un empoisonnement au monoxyde de carbone peut entraîner une blessure grave ou la mort.

### **AVERTISSEMENT** Danger d'asphyxie

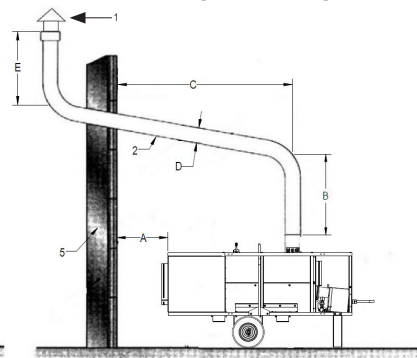
- Lorsque cette fournaise est raccordée à un tuyau de raccordement, celui-ci doit se terminer par une section verticale longue d'au moins deux pieds et doit permettre de créer un tirage suffisant pour assurer un fonctionnement sécuritaire et adéquat de la fournaise. Un minimum de courant d'air de 0.20 po. de colonne d'eau est recommandé.
- Lorsque des refluxes d'air peuvent se produire, on doit utiliser un chapeau de cheminée sur la sortie du tuyau de raccordement.
- Les sections horizontales du tuyau de raccordement doivent avoir une pente de 1 pour 10 en s'éloignant de la fournaise.

#### DANS LA CHEMINÉE



- 1) Dispositif anti-vent, accessoire en option
- 2) Traverse horizontale avec angle minimal d'inclinaison vers le haut de 5°
- 3) Cheminée 8 po x 8 po de dimension interne minimum
- 4) Trappe de cheminée anti-explosion
- 5) Mur d'appui externe

#### DIRECTEMENT VERS L'EXTÉRIEUR



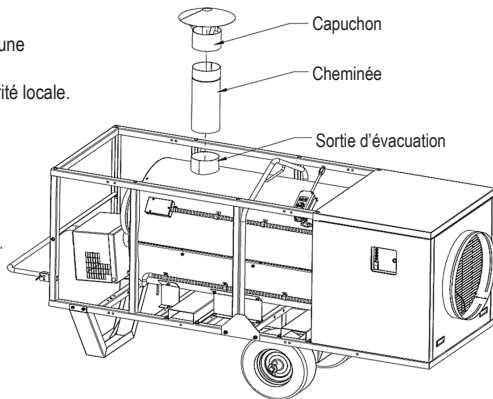
- A. 3 pi minimum
- B. 3 pi minimum
- C. Le plus court
- D. Diamètre de sortie identique ou plus grand que celui de la cheminée de la fournaise.
- E. 3 pi minimum

**Remarque :** L'information ci-dessus est uniquement une recommandation.  
Faire vérifier votre installation par l'autorité locale.

## Structure extérieure

On doit installer une cheminée d'échappement de 1,25 m/5 pi minimum sur la sortie d'évacuation afin d'éviter la recirculation des gaz d'échappement provenant de la sortie d'évacuation dans l'entrée d'air de la fournaise.

Lorsque la fournaise est installée à l'extérieur, un capuchon est nécessaire afin de protéger contre une entrée d'eau. L'accessoire en option peut être acheté chez L. B. White Co. Capuchon ou cheminée.



## Installation de cheminée/capuchon

\*Accessoire – doit être commandé séparément

1. Installer le capuchon sur la cheminée.
2. Percer 4 trous de 1/8 po selon un modèle entre-croisé.
3. Fixer le capuchon et la cheminée avec les vis fournies dans les ensembles.
4. Installer l'ensemble de cheminée/capuchon sur le tuyau d'échappement de la fournaise.
5. Percer 4 trous de 1/8 po selon un modèle entre-croisé.
6. Fixer l'ensemble cheminée/capuchon avec les vis fournies dans les ensembles.

## Installation de conduit

\*Accessoire – doit être commandé séparément

Cet appareil de chauffage peut être raccordé à l'aide des dispositifs de distribution approuvés L.B.White:

- 30,48 cm de diamètre x 7,62 m de conduit par sortie de chauffage. L.B.White part 500-30052. Un adaptateur de conduit n'est pas nécessaire.
- (CI500 / CI750), 40,64 cm de diamètre x 7,62 m, L.B.White, pièce 500-30076. Un adaptateur de conduit est requis, 500-30902.
- Localiser le conduit sous des matériaux de pare-vent appropriés pour les exigences du chantier.
- Substituer le matériau de conduit est acceptable, mais celui-ci doit être conforme aux exigences suivantes :

1. Le conduit doit avoir une température minimale de matériel de 149 °C/300°F
2. Procure une conduite jusqu'à 100 pi./30,48 m et peut être raccordé à la fournaise pourvu que la pression statique ne dépasse pas la limite de la plaque signalétique. Une pression statique accrue réduira le débit et pourrait faire en sorte que les limites de température élevée éteignent la fournaise. Les courbes et les coups donnés à la conduite, ou un affaissement de la conduite sont susceptibles de faire augmenter la pression statique.

3. Un conduit substitut de 30,48 cm/12 po x 7,62 m/25 pi de l'un des fabricants suivants peut être utilisé :
  - Artic Helix - Norseman
  - Artic Econorush - Norseman
  - Hitex Series - NTI Global
  - Ventflex Series - NTI Global

### Installation :

1. Étendre l'ensemble de conduit à une longueur de 7,62 m/25 pi.
2. Fixer une extrémité du conduit à une des sorties d'évacuation de la fournaise.
3. Fixer le conduit à la fournaise au moyen de la bride fournie dans l'ensemble. Comme montré.



4. Redresser les conduits et éliminer tout pli

### Remarque :

- Lorsqu'on utilise le conduit, s'assurer qu'il y a un minimum de coudes dans le conduit. Un maximum de deux coudes de 90° est permis.
- La réduction du nombre de coudes assurera que l'air chaud sortant de la fournaise circule librement, évitant ainsi la surchauffe. S'il y a un nombre excessif de coudes, les interrupteurs de haute température peuvent s'ouvrir.

**Facultatif :** Une trousse de conduit de recirculation d'air avec une longueur maximale de 7,62 m / 25 pi peut être fixé à l'entrée d'air d'alimentation.

(CI230) 40,6 cm x 7,62 m  
(CI500/CI750) 50,8 cm x 7,62 m»



## Ajustement pour haute altitude

Le réglage de l'air du brûleur de la fournaise est défini en usine pour fonctionner normalement à une altitude de 0 à 2 000 pi au-dessus du niveau de la mer. On doit tenir compte d'une allocation pour altitude lors du fonctionnement au-dessus de 2 000 pi. Une réduction du taux de 1,84 % pour chaque 1000 pi au-dessus du niveau de la mer est nécessaire pour que la fournaise fonctionne de manière sécuritaire. Pour recalibrer la fournaise, veuillez contacter :

Beckett Technical Service  
1-800 645-2876 ou  
Courriel : techservice@beckettcorp.com

**REMARQUE** : L'allure de chauffe (quantité d'entrée en Btu) du brûleur doit être maintenue pour répondre à la charge de chauffage pour laquelle l'appareil a été conçu.

## Thermostats

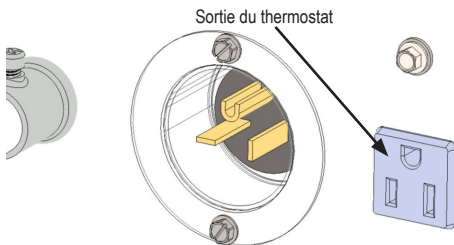
Le thermostat à distance en option est un thermostat entièrement fermé NEMA 4X avec un ajustement de température à une seule étape ( $\pm 16$  °C/3 °F degrés). N° pièce L.B. White 500-30125.



Si le thermostat n'est pas nécessaire, sélectionner le réglage manuel sur le commutateur du thermostat.



Lorsqu'un thermostat est requis, soulevez le couvercle de sortie du thermostat et branchez la broche mâle du cordon du thermostat à la sortie du thermostat du radiateur. Sélectionnez le réglage du thermostat sur le commutateur à bascule du thermostat.



### Avertissement

- Couvrez TOUJOURS la sortie du thermostat lorsqu'il n'est pas utilisé.
- NE branchez PAS un appareil à la prise du thermostat.
- NE branchez PAS de thermostat en ligne dans la prise du thermostat.

## Amorçage de la pompe

L'amorçage de la pompe n'est pas nécessaire avec la fournaise Foreman Oil Heater.



Les les de chauffage L.B. White Foreman seront soit configurés en usine pour être L.B. White LINK prêt ou compatible. Vérifiez le numéro de modèle sur la plaque signalétique pour déterminer si votre appareil de chauffage Foreman est soit L.B. White LINK prêt ou compatible. Si la conception de votre modèle se termine par la lettre «L», alors c'est. Prêt pour le L.B. LINK. Si la conception de votre modèle ne se termine pas par la lettre «L», il s'agit uniquement de L.B. White LINK Compatible. Voir l'exemple ci-dessous.

L.B. WHITE		Model/Modèle/Modelo	<b>C1500BSON42168TL</b>
Serial No./No. de série			
Fuel / Carburant / Combustible	Diesel 1 & 2		
Tank Capacity / Capacité Du Réservoir / Capacidad Del Tanque	61 gal / 231 L		
Elevation / Élévation (ft/m)	0 - 2,000 / 0 - 610		
Max Input/ Max D'Entrée/ Max Entrada (kBtu/kW)	500 / 146.5		
Firing Rate/ Cadence De Tier / Tasa de disparos (GPH/LPM)	3.6 / 0.23		
Nozzle / Bus / Boquilla	2.75 GPHx60B		
Electrical / Électrique / Eléctrico (V/A/Hz/Ø)	120 / 14 / 60 / 1		
Min. operating temp./Min. température de fonctionnement / Min. temperatura de funcionamiento (°F/°C)	-20 / -28		
<b>L.B. White Co., LLC 411 Mason Street Onalaska, WI 54650 USA 1-608-783-5691</b>			

Pour L.B. White LINK Ready Foreman Oil, commander le numéro de kit 500-133307. Pour L.B. Huile de contremaitre compatible White LINK, numéro de kit de commande 500-133193.

Pour plus d'informations sur le système L.B. White LINK, contactez votre L.B. White marchande. Vous pouvez également appeler le L.B. White Compagnie, LLC au 1-800-345-7200.

## Branchement de l'acheminement externe en carburant

- Le Foreman 230/500 nécessitera l'installation du kit 500-131261 pour le raccordement à un réservoir distant.
- Le Foreman 750 sera livré prêt à être connecté à un réservoir de carburant distant. Voir les instructions ci-dessous.

### Matériaux

- Ruban téflon (en utiliser sur toutes les connexions filetées)
- Raccords de tuyauterie appropriés pour s'adapter aux filetages femelles 3/8 po NPT sur le té en fer noir 3/8 po.

### Outils

- Clé Allen 5/16
- Clé à molette

### Connexion à un réservoir de carburant à distance

- Fermez le robinet d'arrêt de carburant du réservoir de carburant embarqué.
- Retirez le bouchon à tête Allen du té de 3/8 po.
- Utilisez les raccords de tuyauterie appropriés pour réduire le raccord de tuyau à distance à des filetages NPT de 3/8 po.
- Installez le raccord de tuyau à distance sur le té 3/8 po.
- Vérifiez que TOUTES les connexions sont bien serrées.
- Démarrez le radiateur et vérifiez toutes les connexions afin de détecter la présence de fuites. Resserrez au besoin pour éliminer les fuites de carburant.

### Utilisation du réservoir intégré de carburant


- Tous les réchauffeurs d'huile Foreman sont expédiés prêts à fonctionner à partir du réservoir embarqué.

## Instructions de démarrage

Pour le démarrage initial après l'installation de la fournaise, suivre les étapes 1 à 5. Pour le démarrage normal, régler le thermostat au-dessus de la température de la pièce ou régler le commutateur du thermostat à la position manuelle.

1. Suivre toutes les informations de ventilation et de sécurité.
2. Remplir le réservoir de carburant.
3. Cet appareil de chauffage est câblé avec une connexion à la terre pour votre protection contre le risque de choc électrique. L'appareil de chauffage doit être connecté directement à une alimentation électrique correctement câblée et mise à la terre. Taille minimum du disjoncteur: C1230-15amp, C1500 / C1750-20 amp.
4. Régler le thermostat à la température désirée pour la pièce ou régler le commutateur du thermostat à la position manuelle.
5. Cet appareil de chauffage a un sélecteur de style à bascule situé sur le côté de l'appareil de chauffage. Cet interrupteur permet le mode chauffage ou le mode ventilation (pas de chauffage).



6. Lorsque l'interrupteur est réglé sur chauffage  , trois lampes témoins seront activées en séquence à mesure que les circuits spécifiques sont vérifiés par le contrôleur de chauffage. Si la fournaise ne s'allume pas et qu'une lampe témoin est éteinte, consultez la section dépannage du présent manuel.
7. Ne pas excéder la valeur d'entrée nominale indiquée sur la plaque signalétique ni la pression de pompe maximale recommandée par le fabricant pour l'injecteur utilisé. S'assurer que l'alimentation en air primaire au brûleur principal est ouverte et libre de poussière, saleté et débris afin d'obtenir une combustion complète et propre.

### A. Fonctionnement en mode chauffage

Lorsque le commutateur est en position chauffage et que le thermostat demande de la chaleur, un ensemble de témoins verts s'allume (alimentation EN FONCTION et thermostat EN FONCTION). Le moteur du ventilateur du brûleur effectuera une pré-purge pendant 45 secondes. Après la pré-purge du ventilateur du brûleur, l'allumeur émet une étincelle et l'allumage se produit. Le ventilateur principal dispose d'un délai de 30 secondes avant son fonctionnement. Le thermostat éteint et allume la fournaise selon le réglage de température. La DEL à limite supérieure clignote pendant le cycle pré/post-purge.

**Remarque :** Lorsque le thermostat éteint et rallume la fournaise ou si le commutateur est éteint, le moteur du ventilateur principal continue à fonctionner pendant 3 minutes supplémentaires afin de refroidir l'échangeur d'air.

### B. Fonctionnement en mode ventilation

Lorsque le commutateur est en position ventilation, seul le témoin du moteur du ventilateur s'allume. Le moteur du ventilateur démarre, mais le moteur du brûleur ne démarre pas et aucun allumage ne se produit. Cette fonctionnalité est habituellement utilisée lorsqu'aucun chauffage n'est nécessaire, mais qu'une circulation d'air est requise. La fournaise ne s'éteint pas et ne s'allume pas selon le réglage du thermostat. Pour cesser la fonctionnalité de ventilation, placer le commutateur au point médian O ou sur chaleur. Si vous désirez utiliser la fonctionnalité de ventilation, la source de carburant n'est pas nécessaire.

### C. Désactivé O

Placer le commutateur au point médian O

## Verrouillage de sécurité

Cette fournaise est munie du contrôle de brûleur avancé Beckett GeniSys. Le GeniSys est utilisé avec un détecteur de flamme approprié à cellule au sulfure de cadmium afin de contrôler le moteur du brûleur à huile, l'allumeur et l'électrovanne d'huile.

- Le contrôleur de brûleur GeniSys a un essai d'allumage. Si l'allumage n'est pas effectué, le contrôle de brûleur GeniSys entre en mode « verrouillage à chaud ».

Verrouillage à chaud – le contrôle a mis fin au fonctionnement pour une des raisons de sécurité suivante :

- L'essai d'allumage a échoué.
- La cellule au sulfure de cadmium n'a pas détecté de flamme.
- La flamme est perdue pendant l'essai d'allumage
- Le contrôle du brûleur effectuera un autre essai d'allumage dans 60 secondes.

### POUR RÉINITIALISER LE BOÎTIER DE COMMANDE

Appuyer sur le bouton de réinitialisation sur le contrôleur GeniSys pendant 1 seconde et vérifier que le témoin rouge dans le bouton de réinitialisation s'est éteint.




### MODE DIAGNOSTIC

Lampes témoins

Couleur du témoin	Fixe	Clignotant
Rouge	Verrouillage à froid (1)	Verrouillage à chaud (2)
Vert	Fonctionnement normal	Recyclage (3)

- (1) Récurrence d'un verrouillage à chaud - pour réinitialiser, enfoncer et tenir le bouton de réinitialisation pendant 15 secondes jusqu'à ce que le témoin jaune s'allume
- (2) Échec de l'allumage, la cellule au sulfure de cadmium n'a pas détecté de flamme, ou la flamme est perdue - pour réinitialiser, enfoncer et relâcher le bouton de réinitialisation.
- (3) Le contrôle a commencé un délai de 60 secondes et répétera la séquence d'allumage.
- (4) Purge de l'air hors de la ligne de carburant en cours.

Le contrôleur fournira les diagnostics uniquement lorsque le commutateur est réglé sur CHAUFFAGE 

- Il est normal que de l'air soit emprisonné dans la ligne de carburant sur les nouvelles installations. La fournaise pourrait nécessiter plusieurs essais d'allumage avant que l'air soit finalement purgé de la ligne et que l'allumage se produise.

## Instructions pour l'arrêt

Si la fournaise doit être arrêtée pour cause de nettoyage, maintenance ou réparation, suivre les étapes 1 à 3. Sinon, simplement ajuster le thermostat à « Hors fonction » ou « Sans chaleur » ou placer le commutateur CHAUFFAGE/VENTILATION à la position HORS FONCTION.

1. Tourner le cadran du thermostat au réglage de température le plus bas.
2. Laisser la fournaise effectuer son mode de post-purge lors du refroidissement.
3. Débrancher le cordon de la prise.

**NE PAS DÉCONNECTER L'ALIMENTATION ÉLECTRIQUE TANT QUE LE MOTEUR DU VENTILATEUR PRINCIPAL NE S'EST PAS ARRÊTÉ APRÈS AVOIR REFOUILLI L'ÉCHANGEUR D'AIR**

**Remarque :** Lors du fonctionnement normal, si le thermostat éteint la fournaise ou si le commutateur est placé en position HORS FONCTION, le moteur du ventilateur principal continue à fonctionner. C'est la post-purge de refroidissement de l'échangeur d'air. La DEL à limite supérieure clignote pendant ce processus. La fournaise s'éteint après 3 minutes de post-purge.

## Instructions de nettoyage

### **AVERTISSEMENT** Risque d'incendie, de brûlure et d'explosion

- Cette fournaise contient des composants électriques et mécaniques dans les systèmes de gestion du gaz et de sécurité.
- Ces composants peuvent devenir inopérants ou faire défaut à cause de la poussière, de la saleté, de l'usure et de l'âge.
- Un nettoyage et une inspection périodiques ainsi qu'un entretien approprié sont essentiels afin d'éviter une blessure grave ou un dommage à la propriété.

1. Déconnecter l'alimentation électrique avant le nettoyage.

2. On devrait nettoyer régulièrement la saleté et la poussière de la fournaise :

- a. Avant chaque utilisation, effectuer un nettoyage général de la fournaise au moyen d'air comprimé ou d'une brosse douce ou d'un chiffon sec sur le boîtier et les composants internes. En même temps, éponseter le boîtier du moteur pour empêcher le moteur de surchauffer.
- b. Effectuer un nettoyage à fond de la fournaise au moins une fois par année. À ce moment, retirer l'ensemble de ventilateur et de moteur et brosser ou souffler sur l'ensemble de pales du ventilateur. De plus, s'assurer que l'entrée d'air du brûleur est libre de toute accumulation de poussière.

### **AVERTISSEMENT** Risque d'incendie, de brûlure et d'explosion

- Ne pas utiliser de laveuse à pression, d'eau ou de solution de nettoyage liquide sur les commandes de gaz. L'utilisation d'une laveuse à pression, d'eau ou d'une solution de nettoyage liquide sur les composants du circuit de commande peut causer une blessure grave ou un dommage à la propriété à cause de l'eau ou des liquides.
- Dans les composants électriques et les fils, entraînant une décharge électrique ou une défaillance de l'équipement.

Nettoyer tous les composants de la fournaise avec de l'air sous pression, une brosse sèche ou un chiffon sec.

## Instructions d'entretien

### AVANT CHAQUE UTILISATION :

- Vérifier la zone entourant la fournaise pour assurer qu'elle est dégagée et libre de matériaux de construction, de gazoline et d'autres vapeurs et liquides inflammables.
- Lors de l'installation, s'assurer que les flux d'air de combustion et de ventilation ne sont pas obstrués.
- Vérifier toutes les bornes associées au câblage et les composants électriques à l'intérieur de la fournaise pour déceler la présence de corrosion, d'isolation effilochée ou coupée, s'assurer que les connexions sont serrées, etc. Réparer ou remplacer si nécessaire.
- Réviser tous les inscriptions sur la fournaise (c.-à-d., schéma de câblage, avertissements, démarrage, arrêt, dépannage, etc.) au moment de l'entretien afin de s'assurer qu'elles sont lisibles. Assurez-vous qu'aucune inscription n'est coupée, déchirée ou autrement endommagée. Toute inscription endommagée doit être immédiatement remplacée en contactant L.B. White Co., LLC Les plaques signalétiques, les instructions de démarrage et d'arrêt ainsi que les avertissements sont disponibles sans frais. Une modique somme sera appliquée pour les schémas de câblage.
- Vérifier la courroie d'entraînement du ventilateur principal. S'assurer que la courroie n'est pas fissurée. Si c'est le cas, la remplacer. De plus, s'assurer que la courroie ne glisse pas, que la tension de la courroie est adéquate et que les poulies sont correctement alignées et ne sont pas usées.
- Vérifier l'ajustement du dispositif de contrôle d'admission d'air.
- Inspecter toutes les lignes d'alimentation en carburant pour détecter la présence de fissures, d'abrasions ou de ruptures. Remplacer si nécessaire.
- Nettoyer et vérifier annuellement l'allumeur et la cellule au sulfure de cadmium.
- Tester les interrupteurs de haute température pour assurer un fonctionnement adéquat avant chaque utilisation. (voir les instructions dans la section service de ce manuel)
- Vider le réservoir de carburant à toutes les 50 heures de fonctionnement ou au besoin.
- Remplacer le filtre à carburant après chaque six mois d'utilisation normale.
- Les lignes du filtre à carburant devraient être vérifiées et resserrées avant chaque utilisation.
- La roue et la courroie du ventilateur devraient être nettoyées et vérifiées avant chaque utilisation.
- Les passages d'air autour de l'échangeur d'air devraient être vérifiés chaque saison pour détecter la présence de saleté et de débris.

### Entreposage

Avant de stocker le chauffage pendant une période prolongée, vidangez le carburant du filtre à carburant, des conduites de carburant, de la pompe et du crochet distant, le cas échéant.

1. Retirez le bouchon de vidange et vidangez le carburant du réservoir. Remplacez le bouchon de vidange.
2. Si des débris sont présents dans l'ancien carburant, ajoutez 1 ou 2 litres de carburant propre dans le réservoir, remuez-le et videz-le à nouveau. Cela empêchera les débris d'obstruer les filtres lors d'une utilisation ultérieure.
3. Démarrez le chauffage (voir Instructions de démarrage) pour brûler le carburant restant dans les conduites. Une fois que le carburant restant a brûlé, éteignez l'appareil de chauffage (voir les instructions d'arrêt) et laissez-le refroidir complètement.»
4. Éliminer correctement l'ancien carburant et le carburant sale.
5. Entreposer la fournaise dans un endroit sec. S'assurer que l'emplacement d'entreposage est libre de poussière et de vapeurs corrosives.

Ne pas entreposer le carburant inutilisé pendant les mois d'été en prévoyant l'utiliser lors de la prochaine saison de chauffage. L'utilisation de vieux carburant pourrait endommager la fournaise.



### AVERTISSEMENT

#### Risque de basculement (C1230)

- NE PAS installer l'appareil de chauffage debout avec du carburant dans son réservoir.
- Le radiateur doit être stocké sur une surface solide, stable et plane.
- Défaut de suivre ces les avertissements peuvent entraîner de graves blessure ou mort.

## Instructions d'entretien



### AVERTISSEMENT

#### Risque de brûlure

- Les surfaces de la fournaise sont chaudes pendant un certain temps après l'arrêt de la fournaise.
- Laisser la fournaise refroidir avant d'effectuer un entretien, de la maintenance ou un nettoyage.
- Ne pas se conformer à cet avertissement peut entraîner des blessures par brûlure.



### AVERTISSEMENT

#### Risque d'incendie et d'explosion

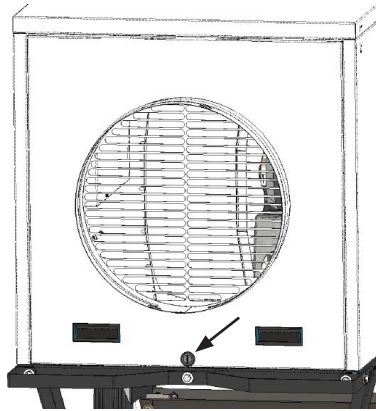
- Ne pas démonter ou tenter de réparer les composants de la fournaise.
- Tous les composants doivent être remplacés si une défaillance est constatée.
- Ne pas se conformer à cet avertissement peut entraîner un incendie ou des explosions, causant des dommages à la propriété, une blessure ou la mort.

1. Débrancher l'alimentation électrique avant l'entretien à moins que celle-ci soit nécessaire pour votre procédure d'entretien.
2. Nettoyer l'injecteur de la fournaise au moyen d'air comprimé ou d'un chiffon doux et sec. Ne pas utiliser de limes, de forets, de broches, etc. pour nettoyer l'orifice. Cela pourrait élargir le trou, entraînant des problèmes de combustion ou d'allumage. Remettre l'injecteur en place s'il ne peut pas être nettoyé correctement.
3. Les interrupteurs de haute température, l'interrupteur CHAUFFAGE/VENTILATION, et le thermostat peuvent être testés en débranchant les fils au composant et en reliant temporairement les fils ensemble.
  - Rebrancher l'alimentation électrique et ouvrir les soupapes d'alimentation en carburant.
  - Si la fournaise s'allume, le composant est défectueux et doit être remplacé.
  - Ne pas laisser la connexion temporaire en place et ne pas faire fonctionner la fournaise si la pièce est défectueuse. Remplacer la pièce immédiatement.
  - Une autre manière de vérifier les composants est d'effectuer une vérification de continuité.
4. Ouvrir ou retirer le panneau de boîtier respectif pour accéder aux composants reliés au ventilateur.
5. Lors du réassemblage, renverser la procédure d'entretien respective. S'assurer que les connexions de gaz sont bien serrées.
6. Après l'entretien, démarrer la fournaise pour s'assurer d'un fonctionnement adéquat.
7. Si les clés du ventilateur sont perdues pendant l'entretien, on peut facilement fabriquer des remplacements au moyen de barre de 3/16 po carré x 1 po. Sinon, commander la pièce N° 22955.

## Composants d'entraînement

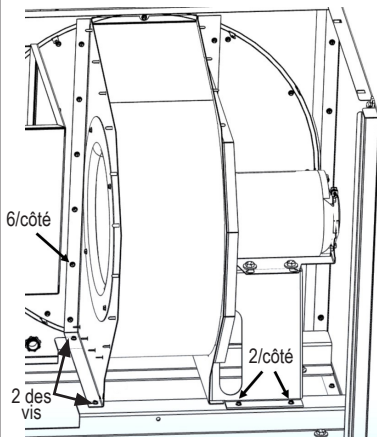
Pour accéder au moteur du souffleur, aux composants d'entraînement et au contrôle électrique.

- Retirez le panneau arrière en ouvrant (CCW) le verrou et en retirant le panneau.
- Détachez le panneau supérieur dans le radiateur et tirez le panneau supérieur vers l'arrière pour libérer les ongles.
- Retirez le panneau supérieur.



### Ensemble de ventilateur et moteur CI230

1. Débranchez le câblage du moteur de la carte de commande.
2. Retirez toutes les vis fixant le boîtier du ventilateur à l'échangeur thermique et aux barres de montage du boîtier.

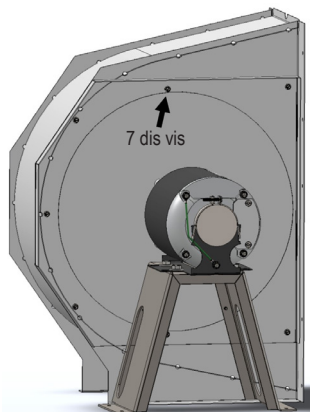


3. Retirez le bloc ventilateur / moteur.

### Enlèvement du moteur du souffleur/de la roue du ventilateur

#### Roue de ventilateur

1. Retirez toutes les vis fixant la plaque de montage du moteur.



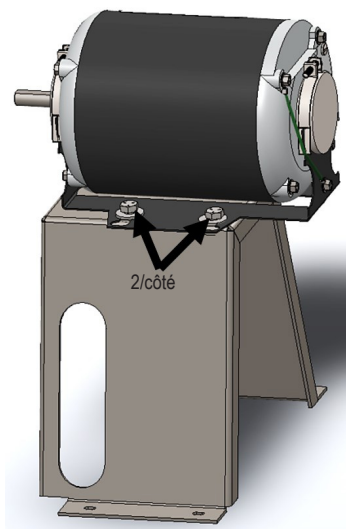
2. Retirez l'ensemble moteur / roue de ventilateur du carter de ventilateur.

3. Desserrez les deux clés Allen 3/16 fixant la roue du ventilateur à l'arbre du moteur.

4. Retirez la roue du ventilateur.

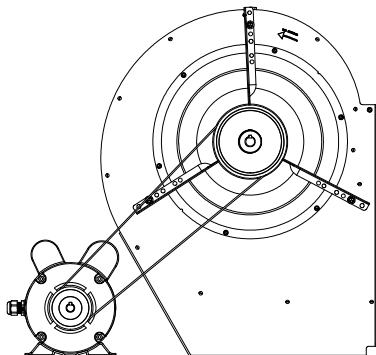
#### Moteur

1. Suivez la procédure de dépose de la roue de ventilateur.
2. Retirez les quatre boulons à tête hexagonale fixant le mtor au support du moteur.

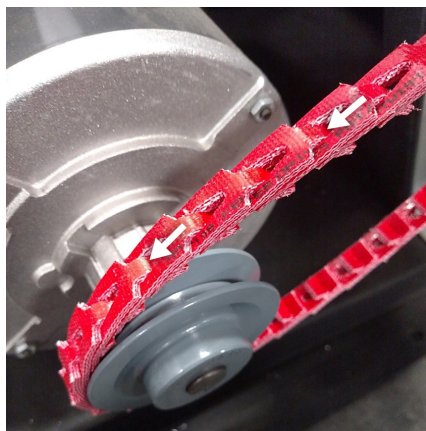


3. Retirer le moteur.

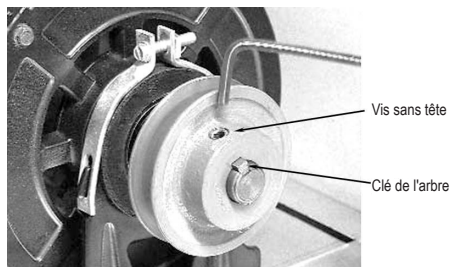


**CI500 / CI750****Remplacement de la courroie**

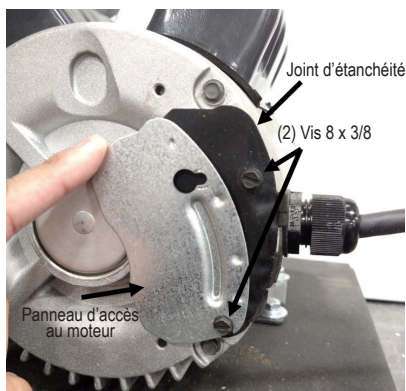
1. Retirer soigneusement la courroie de la poulie.
2. Vérifier si les rainures de la poulie du ventilateur et du moteur sont sales, nettoyer le cas échéant.
3. Installer la nouvelle courroie. S'assurer que la courroie est installée comme indiqué ci-dessous. Voir la flèche directionnelle sur la courroie.

**Poulies de ventilateur et de moteur**

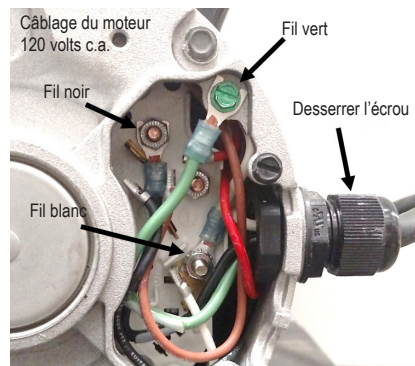
1. Retirer la courroie des poulies. Voir Remplacement de la courroie.
2. Desserrer la vis allen sur les poulies du ventilateur et du moteur.
3. Retirer la poulie et la clé de l'arbre du ventilateur et du moteur.
4. Lors de l'installation de la nouvelle poulie, utiliser une arête droite, vérifier l'alignement de la poulie du moteur et du ventilateur. Le contact doit se faire au bord des deux poulies.

**Moteur du ventilateur**

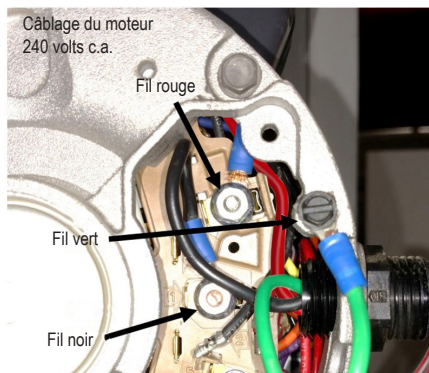
1. Desserrer les vis du panneau d'accès à l'alimentation électrique sur le moteur
2. Retirer le panneau d'accès et le joint d'étanchéité



3. Débrancher la ligne d'alimentation électrique.





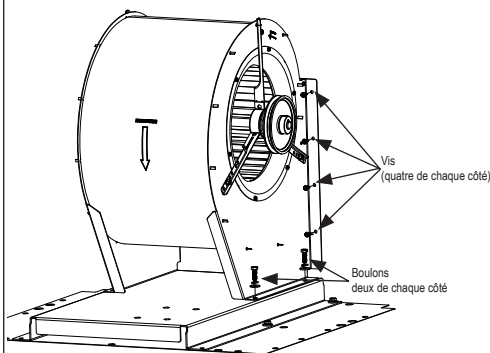


4. Enlever les quatre boulons à l'aide d'une clé ouverte de 1/2 pouce.

- Veiller à ce que les poulies du moteur et du ventilateur soient correctement alignées lors de la réinstallation.
- Les roulements du moteur sont lubrifiés en permanence.

#### Retrait du logement du ventilateur

1. Retirer la courroie du ventilateur. Voir la procédure de remplacement de la courroie.
2. Retirer le moteur du ventilateur. Voir la section du moteur du ventilateur.
3. Localiser et retirer les quatre boulons à la base du boîtier du ventilateur. Voir ci-dessous.
4. Localiser et retirer les huit vis à tôle. Voir le dessin ci-dessous.
5. Retirer le boîtier de roue du ventilateur.



#### Remplacement de la roue de ventilateur

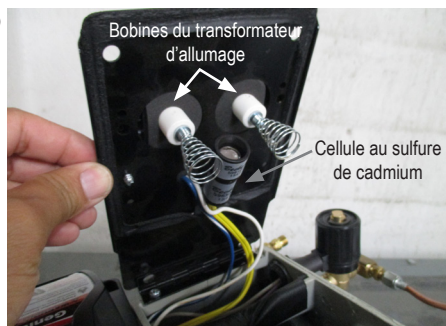
1. Retirer la courroie du ventilateur. Consulter les procédures de remplacement de la courroie.
2. Retirer la poulie de l'arbre du ventilateur. Consulter les procédures concernant les poulies du ventilateur et du moteur.
3. Desserrer toutes les vis creuses sur l'arbre du ventilateur, y compris la vis de pression sur le moyeu de la roue de ventilateur.
4. Tirer l'arbre du ventilateur à travers la roue de ventilateur et les supports de montage du roulement.
5. Abaisser la roue de ventilateur pour accéder aux écrous du support de montage du roulement derrière le boîtier du ventilateur.
6. Retirer les vis à œillet du boîtier du ventilateur.
7. Retirer la roue de ventilateur.

REMARQUE: Lors de l'installation d'une nouvelle roue de ventilateur, s'assurer que le moyeu de la roue de ventilateur se trouve du même côté que la poulie du moteur.

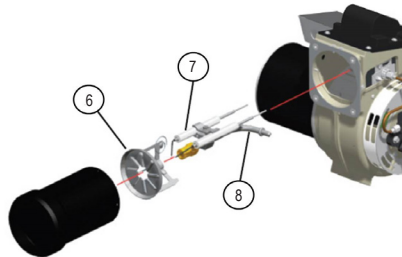
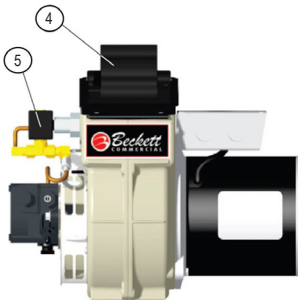
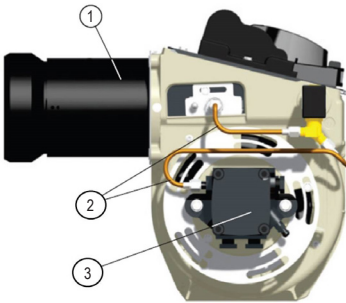
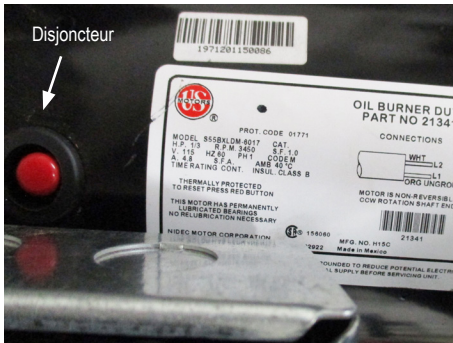
## Composants du brûleur

### **AVERTISSEMENT** Risque de brûlure ou d'incendie

- Ne jamais faire d'entretien sur la fournaise lorsqu'elle est branchée.
- Laisser la fournaise refroidir avant d'effectuer un entretien, de la maintenance ou un nettoyage.
- Ne pas se conformer à cet avertissement peut entraîner des blessures par brûlure.
- Ne pas tenter d'installer, de réparer ou d'entretenir cette fournaise à moins d'avoir une formation continue en tant qu'expert et connaître les fournaises à carburant liquide.



## CI500/CI750 Bouton de réinitialisation de la surcharge du moteur



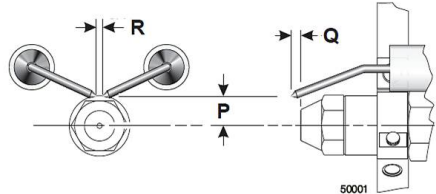
1. Tube d'air
2. Lignes de carburant
3. Pompe à carburant
4. Transformateur d'allumage
5. Électrovanne d'huile\*
6. Assemblage de tête
7. Assemblage d'électrode
8. Assemblage de ligne d'injecteur

\* Non disponible sur le modèle CI230

## ⚠ AVERTISSEMENT Spécifications d'électrode

- Le défaut de maintenir correctement ces spécifications pourrait entraîner un mauvais fonctionnement de l'allumage, un retour de gaz chauds, une épaisse fumée, une asphyxie, un risque d'explosion et d'incendie.

Ajuster l'écartement d'électrode et la position par rapport à l'injecteur selon les spécifications suivantes.



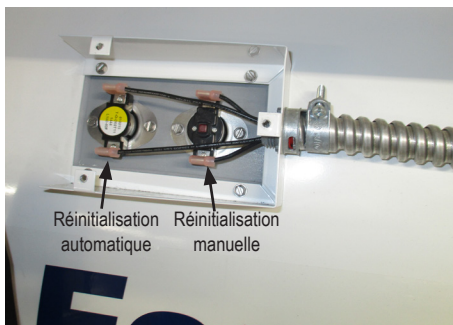
	CI230	CI500/CI750
P	0,635 cm	0,478 cm
Q	0,318 cm	0,635 cm
R	0,397 cm	0,478 cm

## Interrupteurs de haute température

Cette fournaise est munie de deux interrupteurs de haute température. Un est à réinitialisation manuelle; l'autre est à réinitialisation automatique. Les interrupteurs sont situés sur le côté de la fournaise.

### **AVERTISSEMENT** Risque d'incendie

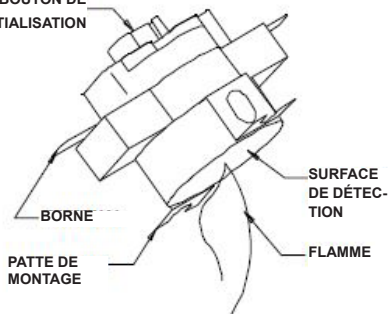
- Ne pas faire fonctionner la fournaise lorsque l'un ou l'autre des interrupteurs de haute température est contourné.
- Faire fonctionner la fournaise lorsqu'un interrupteur de haute température est contourné pourrait mener à une surchauffe, entraînant possiblement un incendie, avec dommage subséquent à la fournaise ou à la propriété.



Les deux interrupteurs de haute température devraient être testés au moins une fois par année lorsque la fournaise a été nettoyée en profondeur.

1. Retirer l'interrupteur de haute température.
2. Appliquer une petite flamme uniquement à la portion capteur à l'arrière de l'interrupteur.

BOUTON DE  
RÉINITIALISATION



Faire attention de ne pas faire fondre le boîtier de plastique de l'interrupteur lors de ce test.

3. En moins d'une minute, vous devriez entendre un petit clic, indiquant que les contacts de l'interrupteur se sont ouverts.
4. **INTERRUPTEUR DE RÉINITIALISATION MANUELLE** : Laisser refroidir l'interrupteur pendant environ une minute avant de presser fermement sur son bouton de réinitialisation. **INTERRUPTEUR DE RÉINITIALISATION AUTOMATIQUE** : Laisser l'interrupteur refroidir pendant environ une minute. Nul besoin de réinitialiser.
5. Vérifier la continuité électrique à travers les bornes de l'interrupteur pour assurer que les contacts se sont fermés.

## Vérifications de pression de la pompe

### ATTENTION :

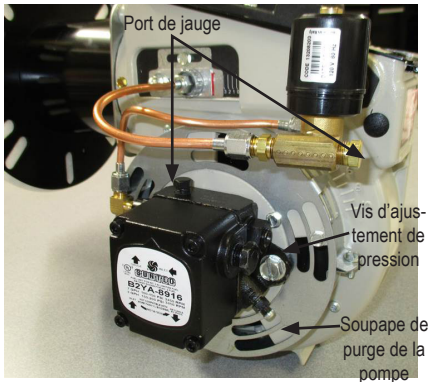
Consulter la plaque signalétique de la fournaise ou la page 4 de ce manuel pour les pressions spécifiques à utiliser.

1. Connectez la jauge de pression d'huile au port de jauge de la pompe. Voir le port de jauge pour CI230 ci-dessous, CI500 / CI750 à la page 23.
2. Démarrer la fournaise
3. Laisser le moteur atteindre sa pleine vitesse.
4. Ajuster la pression (au moyen d'un tournevis plat).
5. Tourner la soupape de surpression dans le sens horaire pour augmenter la pression.
6. Tourner la soupape de surpression dans le sens antihoraire pour diminuer la pression.
7. Régler la pression de pompe à la pression appropriée comme indiqué sur la plaque signalétique de la fournaise.
8. Arrêter la fournaise.
9. Retirer la jauge de pression et boucher le port de la pompe à carburant.

### CI230 port de jauge



## CI500/CI750 port de jauge



## Guide de dépannage

### LIRE CETTE SECTION EN ENTIER AVANT DE COMMENCER À DIAGNOSTIQUER LES PROBLÈMES

Le guide de dépannage suivant donne les procédures permettant d'isoler les problèmes d'équipement. Ce guide est à l'intention d'un MEMBRE QUALIFIÉ DU PERSONNEL DE SERVICE DE FOURNAISE. NE PAS TENTER DE FAIRE L'ENTRETIEN DE CES FOURNAISES À MOINS D'AVOIR REÇU LA FORMATION APPROPRIÉE ÉQUIPEMENT DE TEST REQUIS :

- Multimètre numérique - pour mesurer la tension CA et la résistance
- Jauge de haute pression - pour vérifier la pression de pompe par rapport à la valeur selon la plaque signalétique.

#### Avant de commencer :

- Effectuer une inspection visuelle de l'équipement pour détecter les dommages apparents.
- Vérifier tout le câblage pour détecter les connexions desserrées et l'isolation usée.



### AVERTISSEMENT

- Cette fournaise peut démarrer à n'importe quel moment.
- Le dépannage de ce système peut nécessiter que l'appareil fonctionne alors que la tension de ligne et le carburant sont présents.
- Faire extrêmement attention lors du travail sur la fournaise.
- Ne pas se conformer à cet avertissement peut entraîner un dommage à la propriété, une blessure ou la mort.

Les composants devraient être remplacés uniquement

après que chaque étape a été complétée et qu'un remplacement est suggéré. Consulter les sections d'entretien au besoin pour obtenir les renseignements concernant les procédures de démontage et de remplacement du composant une fois le problème identifié. Consulter la séquence de fonctionnement du système dans cette section afin de comprendre comment l'équipement fonctionne durant une demande de chaleur. Comprendre la séquence de fonctionnement du module d'allumage et des composants connexes est essentiel puisque cela est directement relié à la résolution de problème fournie dans les tableaux.

#### SÉQUENCE DE FONCTIONNEMENT :

- Tension secteur connectée à la prise d'alimentation du réchauffeur.
  - Tension de ligne d'affichage du voltmètre
- La tension de ligne est envoyée à :
  - Borne 2 du commutateur
  - Borne 2 du relais du moteur principal
  - Borne « L1 » de la commande de chauffage
- Commutateur réglé sur mode chauffage.
  - Tension de ligne envoyée à la sortie du thermostat.
- Le thermostat demande de la chaleur ou l'interrupteur du thermostat est réglé à manuel.
  - Le commutateur du thermostat envoie la tension à la borne « W » de la commande de chauffage.
  - La DEL du thermostat est activée indiquant une demande de chaleur.
  - La tension de ligne est envoyée du contrôleur de fournaise « PSO » à l'interrupteur de réinitialisation manuelle de haute température.
  - La tension de ligne est ramenée à « PSI » sur la commande de chauffage.
  - La tension de ligne est envoyée au contrôle du brûleur
  - Le moteur du brûleur démarre.
  - La DEL de haute température clignote.
- 45 secondes après, la commande du brûleur reçoit l'alimentation.
  - L'allumage se produit
- 30 secondes après que l'allumage s'est produit, la tension de ligne est envoyée de « IND » à la borne 0 du relais du moteur principal.
  - Le relais se ferme, le moteur principal est mis sous tension.
- La DEL du moteur principal s'allume.
  - La DEL de limite/purge cesse de clignoter.
- Le thermostat s'ouvre lorsque la demande de chaleur est satisfaite.
  - La DEL du thermostat s'éteint
  - La commande du brûleur ferme l'électrovanne de fioul.
  - Le moteur du brûleur continuera de fonctionner pendant une courte période.
  - Le moteur principal continue à recevoir la tension de ligne (post-purge) pendant 180 secondes.
  - La DEL de limite clignote.
- Après 180 secondes, la commande de chauffage met le moteur principal hors tension
  - La DEL de limite est éteinte
  - La DEL du moteur principal est éteinte

## Dépannage des composants d'entraînement du ventilateur CI500 / CI750

PROBLÈMES	CAUSE	SOLUTION
<b>La courroie glisse</b>	Poulies usées (Les courroies se retrouvent au fond des rainures)	Remplacer les poulies
	Huile ou graisse sur la courroie	Nettoyer les poulies ou la courroie
<b>La courroie se brise</b>	Installation incorrecte de la courroie Courroie tirée sur les poulies au moyen d'outils aiguisés ou pointus.	Installer correctement une nouvelle courroie
<b>La courroie saute sur les rainures de la poulie</b>	Entraînement mal aligné	Vérifier et réaligner
	Saleté entrant dans les poulies	Retirer la courroie, nettoyer les poulies
<b>Fissure de la courroie</b>	Saleté ou graisse sur la courroie ou courroie âgée	Retirer la saleté ou remplacer la courroie.
<b>La courroie s'use rapidement</b>	Poulies usées	Remplacer les poulies
	Saleté dans les poulies	Enlever la saleté

## Dépannage du mode chauffage

Problème	Solution
Le voltmètre, le thermostat, le moteur principal et les voyants de limite supérieure sont allumés	Vérifier les deux limiteurs de température; les réinitialiser ou les remplacer.
Les voyants du voltmètre et du thermostat sont allumés, mais le moteur du brûleur ne démarre pas.	Vérifiez la pile, nettoyez ou remplacez
	Vérifier l'interrupteur de limite haute automatique
Seul le voltmètre est allumé	Le thermostat est au-dessous du point de consigne, ajuster le réglage du thermostat ou l'interrupteur T-stat
Les voyants du voltmètre, du thermostat et du moteur principal sont allumés, mais le moteur du ventilateur ne démarre pas.	Le moteur du ventilateur principal est défectueux, remplacer le moteur
	Contrôleur de chauffage défectueux
	Relais défectueux
Le solénoïde ne s'ouvre pas	Vérifier l'alimentation du solénoïde
	Solénoïde défectueux, remplacer

## Dépannage du mode chauffage (suite)

Problème	Solution
L'électrovanne ne s'est pas ouverte	Vérifier l'alimentation à l'électrovanne
	Électrovanne défectueuse, la remplacer
L'électrovanne s'ouvre, mais le carburant n'est pas détecté ni allumé	Ouvrir toutes les soupapes d'arrêt manuelles
	Vérifier la pression de pompe
	Aucun carburant
	Coupleur de pompe défectueux
L'électrovanne s'ouvre, le carburant est détecté, mais aucun allumage	Vérifier les ressorts du transformateur d'allumage
	Vérifier l'écartement d'allumeur
	Transformateur d'allumage défectueux
L'allumage se produit, puis s'éteint	Vérifier la présence de défaut ou de fissure sur la cellule au sulfure de cadmium
	Vérifier la connexion de la cellule au sulfure de cadmium
	Vérifier l'emplacement de la cellule au sulfure de cadmium
	Problème de défaut de mise à la terre
Moteur du brûleur actionné puis arrêté	Déclenchement de l'interrupteur de surcharge du moteur
	Déclenchement de l'interrupteur automatique de température élevée
	Relais du brûleur principal défectueux
Le moteur du brûleur bourdonne	Verrouillage du moteur
	Blocage de la roue de ventilateur
	Tension incorrecte
Le moteur du brûleur ne s'allume pas	Vérifier la connexion des fils du moteur du brûleur
	Déclenchement de l'interrupteur automatique de température élevée
	Déclenchement de l'interrupteur de surcharge du moteur du brûleur
	Relais du brûleur principal défectueux

\* Déconnecter l'alimentation au contrôleur du circuit imprimé du brûleur ne réinitialisera pas le contrôleur du brûleur.

## Dépannage du mode ventilation

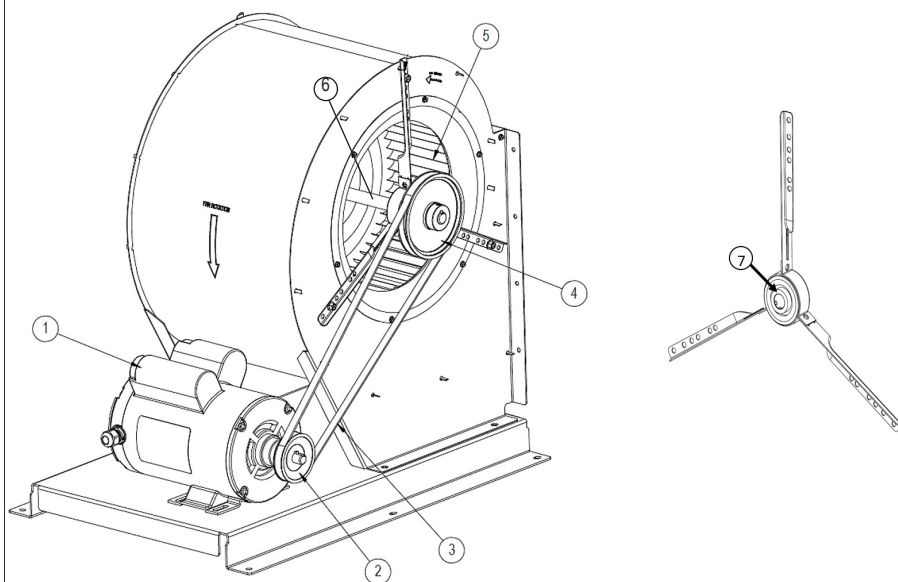
Problème	Solution
Le moteur principal du ventilateur ne fonctionne pas.	Vérifier l'alimentation au moteur du ventilateur
	Relais du moteur défectueux
	Mauvaises connexions électriques
	Courroie desserrée
Le moteur du ventilateur bourdonne; il ne fonctionne pas.	Vérifier s'il y a un blocage du ventilateur ou un condensateur défectueux





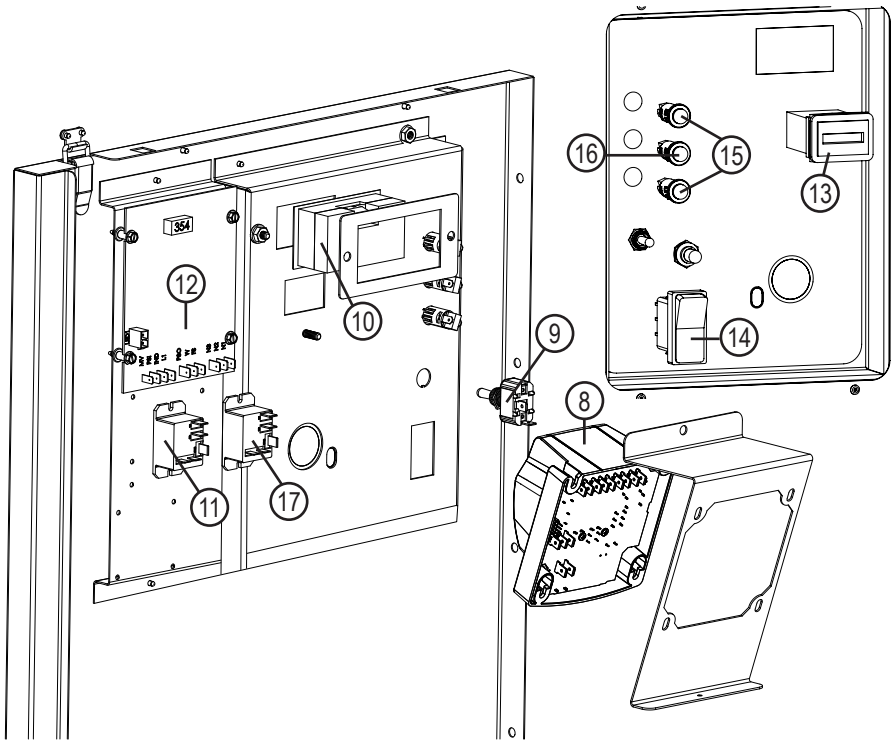
## Liste de pièces - Moteur de ventilateur / roue de ventilateur

CI500 / CI750 Configuration du ventilateur affichée



Item	Description	CI230	CI500	CI750
1	Moteur	574120	573565	573686
2	Poulie, Moteur	--	573569	573683
3	Courroie, Power Twist, A/13/4L, 64 connexions	--	573552	574164
4	Poulie	--	573573	573684
5	Roue, ventilateur	574123	573581	573694
6	Arbre, assemblage du ventilateur	--	573572	
7	Roulement, cartouche de caoutchouc	--	573696	

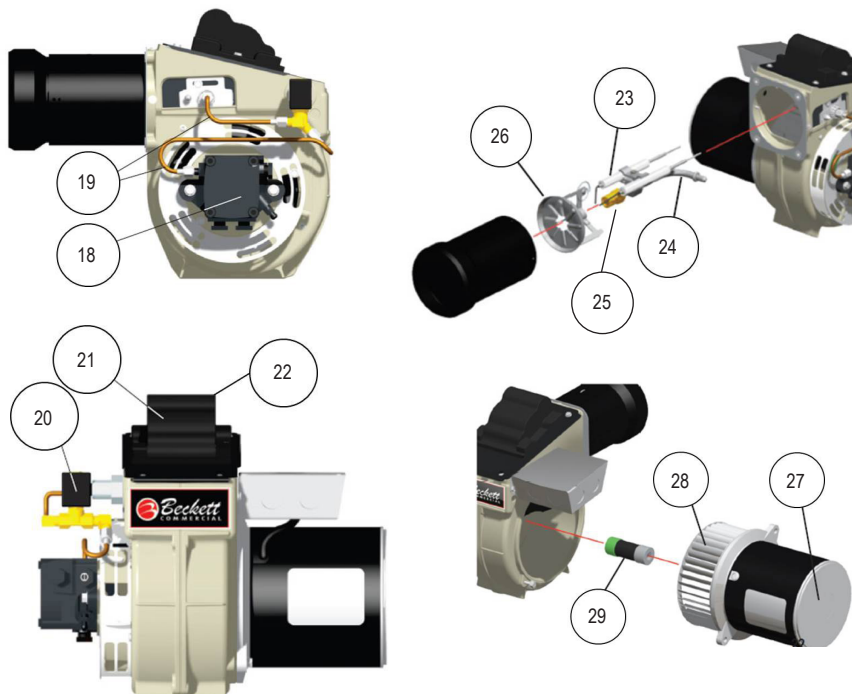
## Liste des pièces - Boîtier de commande



Item	Description	CI230	CI500	CI750
8	Contrôleur, Brûleur, GeniSys 7575		573649	
9	Interrupteur à bascule du thermostat		571907	
10	voltmètre		573947	
11	Relais, 120 VCA	574253		570221
12	Contrôle, conseil, construction		573553	
13	Compteur d'heures		574121	
14	Commutateur à bascule DPDT		574122	
15	DEL, vert, enfichabel, 120V		573770	
16	DEL, rouge, enfichabel, 120V		573564	
17	Relais, 120 VCA		574253	

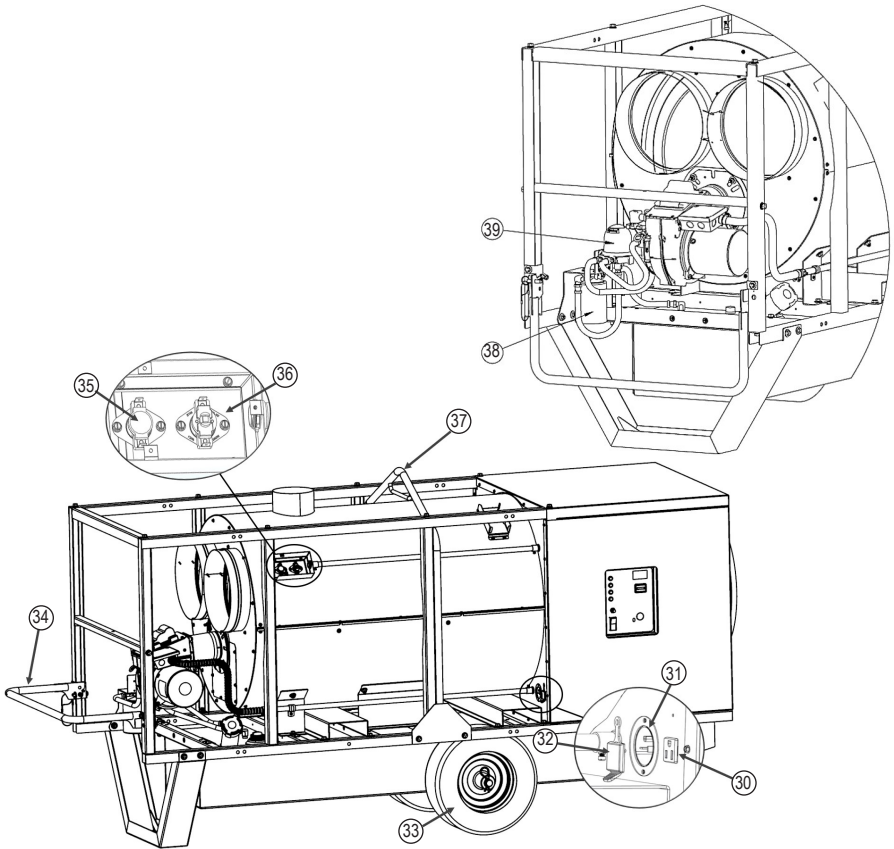
## Liste des pièces – Composants du brûleur

## CI500 / CI750 Brûleur Montré



Item	Description	CI230	CI500	CI750
18	Pompe à carburant	574134		573645
19	Ligne de carburant	574137		573646
20	Électrovanne d'huile	--		573647
21	Cellule au sulfure de cadmium (non montrée)		573658	
22	Transformateur d'allumage	574135		573648
23	Allumeur à bougie d'allumage	573650		574185
24	Assemblage de ligne d'injecteur	--	573651	573714
25	Ajutage	574179	574030	573752
26	Assemblage de tête	--		573652
27	Moteur	574131		573653
28	Roue, 5-19/32 po x 2-13/32 po	574132		573654
29	Accouplement, pompe	574136		573655

## Liste des pièces – Composants du châssis



Item	Description	CI230	CI500	CI750
30	Prise, NEMA femelle CA, enfichable		573570	
31	Entrée, à bride, à lames droites, électrique	574125	574126	574127
32	Couverture, prise électrique		574138	
33	Roue	573991	573581	
34	Poignée, levage, arrière	574140	573560	
35	Interrupteur, limite, brûleur, réinitialisation auto	573575	573660	
36	Interrupteur, haute température, 225 °F	571671		
37	Poignée, levage, balle	574139	573561	
38	Filtre, carburant	573662		
39	Le dégazeur d'huile	500-131261*		573747
40	Thermostat avec cordon de 25 pi *	500-30125*		

Accessoires optionnels\*

Remarque

## Remarque

# Politique de garantie

## FOURNAISE

L.B. White Co., LLC garantit que les composants de sa fournaise sont libre de défauts de matériel et de fabrication, lorsqu'ils sont installés, actionnés et entretenus correctement, conformément aux instructions d'installation et de maintenance, aux guides de sécurité et aux étiquettes contenues dans chaque appareil. Si, dans les 24 mois suivant la date d'achat par l'utilisateur final, un composant est jugé défectueux, L.B. White Co., LLC pourra à son choix, réparer ou remplacer la pièce défectueuse ou la fournaise, par une nouvelle pièce ou fournaise. F.A.B., Onalaska, Wisconsin.

L'enregistrement de votre produit en ligne auprès de L.B. White établira automatiquement l'admissibilité de l'appareil et ses composants aux fins de garantie. Si un produit n'a pas été enregistré auprès de L.B. White, une copie de la facture sera requise pour établir l'admissibilité à la garantie. Si ni l'un ni l'autre n'est disponible, la période de garantie sera de 24 mois suivant la date d'expédition par L.B. White.

## PIÈCES

L.B. White Co., LLC garantit que les pièces de remplacement achetées de la société et utilisées sur l'équipement L.B. White approprié sont libres de défauts tant en matériel qu'en fabrication pour une période de 24 mois à partir de la date d'achat par l'utilisateur final. La garantie est automatique si un composant est jugé défectueux dans les 24 mois du code de date marqué sur la pièce. Si le défaut se produit plus de 24 mois après le code de date, mais dans les 24 mois suivant la date d'achat par l'utilisateur final, une copie de la facture sera requise pour établir l'admissibilité à la garantie.

La garantie susmentionnée est la garantie exclusive fournie par L.B. White et toutes les autres garanties, incluant toute garantie implicite ou de qualité marchande ou d'adaptation à un usage particulier, sont expressément résiliées. Dans le cas où une garantie implicite n'est pas résiliée effectivement par la présente à cause de l'effet d'une loi, une telle garantie implicite est limitée en durée à la durée de la garantie applicable indiquée ci-dessus.

Les recours susmentionnés sont les seuls et uniques recours disponibles en vertu des présentes. L.B. White ne sera responsable d'aucun dommage incident ou conséquent, directement ou indirectement relié à la vente, à la manipulation ou à l'utilisation de l'équipement et dans tous les cas, la responsabilité de L.B. White en relation avec l'équipement, y compris pour réclamation basée sur la négligence ou la responsabilité stricte, est limitée au prix d'achat.

Certains États ne permettent pas les limitations sur la durée d'une garantie implicite, donc la limitation ci-dessus pourrait ne pas s'appliquer à vous.

Certains États ne permettent pas l'exclusion ou la limitation des dommages incidents ou conséquents, alors la limitation ou l'exclusion ci-dessous pourrait ne pas s'appliquer à vous. Cette garantie vous confère des droits juridiques spécifiques, et vous pourriez aussi avoir d'autres droits qui varient d'un État à l'autre.

Pour enregistrer votre produit et vous assurer d'une garantie entière, aller au [http://www.lbwhite.com/customer\\_care\\_center/product-registration/](http://www.lbwhite.com/customer_care_center/product-registration/). Veuillez avoir en main le(s) numéro(s) de série et de modèle(s) en main pour les produits que vous enregistrez.

## Service

Contactez votre distributeur local L.B. White pour les pièces de remplacement et le service. Vous pouvez aussi contacter L.B. White Co., LLC au 1-800 345-7200 pour obtenir de l'aide ou nous envoyer un courriel à l'adresse [customerservice@lbwhite.com](mailto:customerservice@lbwhite.com).

Assurez-vous d'avoir le numéro de modèle de votre fournaise et le numéro de configuration lorsque vous appelez.



## FOURNISSEUR MONDIAL - SOLUTIONS DE CHAUFFAGE NOVATRICES

411 Mason Street, Onalaska, WI 54650

800 345-7200 • 608 783-5691

608 783-6115 (télécopie)

[www.lbwhite.com](http://www.lbwhite.com)