



TITAN®

OPERATION MANUAL

POWRTWIN™ PLUS

Powered By Speeflo® HydraDrive™

- GB -	OPERATION MANUAL	2
- D -	BETRIEBSANLEITUNG	22
- F -	MODE D'EMPLOI	44

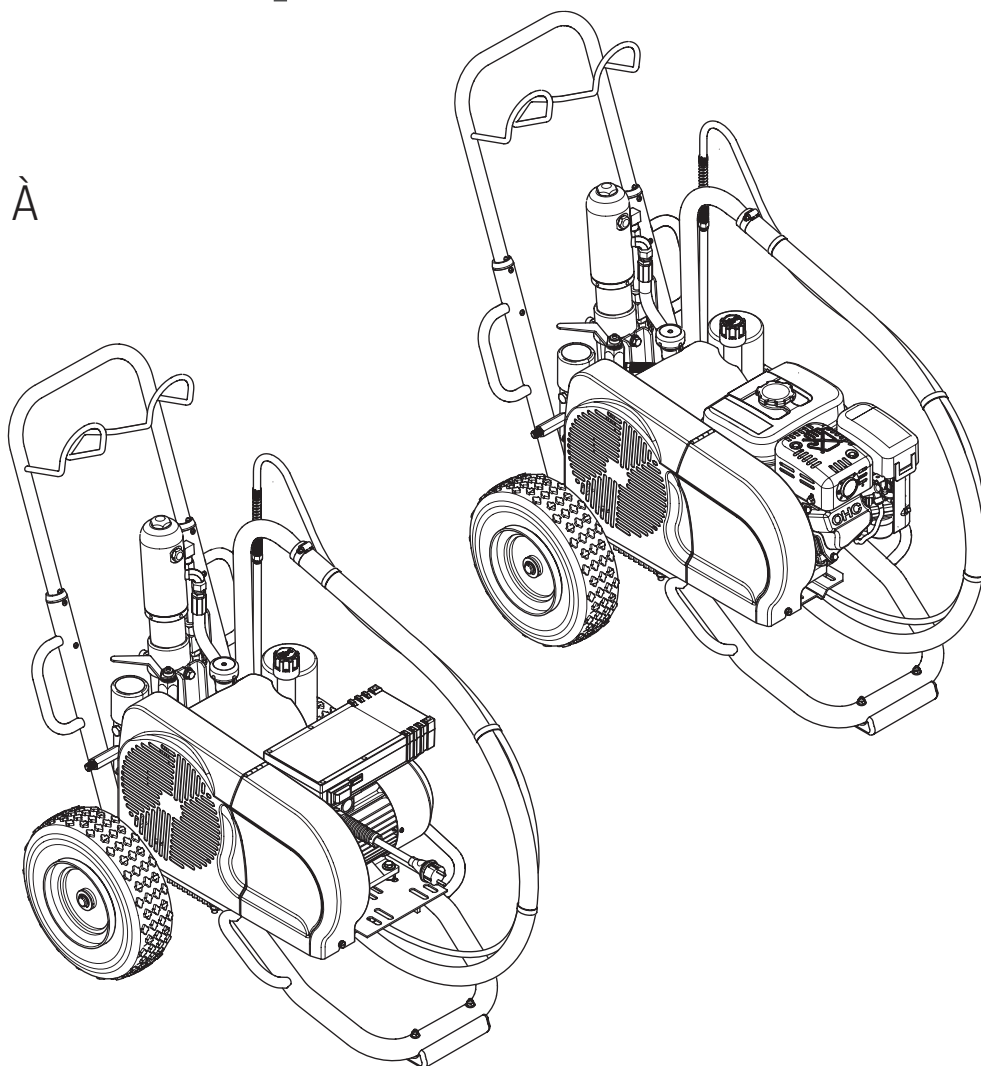
AIRLESS, HIGH-PRESSURE
SPRAYING UNIT

AIRLESS HOCHDRUCK-
SPRITZGERÄT

GROUPE DE PROJECTION À
HAUTE PRESSION

Models:

PT4900 (230V)	0290032
PT4900 (Gas)	0290012
PT6900 (Gas)	0290013
PT8900 (Gas)	0290018
PT12000 (Gas)	0290016 (Honda)
PT12000 (Gas)	0290016K (Kohler)



Warning!

Attention: Danger of injury by injection!
Airless units develop extremely high spraying pressures.



1

Never put your fingers, hands or any other parts of the body into the spray jet!

Never point the spray gun at yourself, other persons or animals.

Never use the spray gun without safety guard.

Do not treat a spraying injury as a harmless cut. In case of injury to the skin through coating materials or solvents, consult a doctor immediately for quick and expert treatment. Inform the doctor about the coating material or solvent used.

2

The operating instructions state that the following points must always be observed before starting up:

1. Faulty units must not be used.
2. Secure Titan spray gun using the safety catch on the trigger.
3. Ensure that the unit is properly earthed.
4. Check allowable operating pressure of high-pressure hose and spray gun.
5. Check all connections for leaks.

3

The instructions regarding regular cleaning and maintenance of the unit must be strictly observed.

Before any work is done on the unit or for every break in work the following rules must be observed:

1. Release the pressure from spray gun and hose.
2. Secure the Titan spray gun using the safety catch on the trigger.
3. Switch off unit.

Be safety conscious!

Contents

	Page
1. Safety regulations for Airless spraying	2
1.1 Explanation of symbols used	2
1.2 Electrical safety.....	3
1.3 Gasoline engine safety	4
1.4 Fueling (gas engine).....	4
1.5 Setting up on uneven surfaces.....	4
2. General view of application	5
2.1 Application	5
2.2 Coating materials	5
3. Description of unit	5
3.1 Airless process	5
3.2 Functioning of the unit	5
3.3 System diagram - gasoline PT units.....	6
3.4 System diagram - electric PT units	7
3.5 Technical data for PT units.....	8
3.6 Airless Spray Tip Recommendation Chart.....	9
3.7 Instruction manuals list.....	9
4. Operation	10
4.1 Setup.....	10
4.2 Preparing a new sprayer	11
4.3 Preparing to paint.....	12
4.4 Painting.....	13
4.5 Pressure relief procedure	13
5. Cleanup	14
5.1 Special cleanup instructions for use with flammable solvents	14
5.2 Cleaning the sprayer	14
5.3 Cleaning a clogged tip	14
6. Maintenance	15
6.1 Daily maintenance	15
6.2 Maintaining the filter assembly.....	15
6.3 Maintaining the hydraulic system.....	16
6.4 Maintaining the fluid section	16
6.5 Basic engine maintenance.....	17
7. Troubleshooting	18
7.1 Airless gun	18
7.2 Fluid section	18
7.3 Hydraulic motors	19
7.4 Spray patterns	20
Warranty	21
Accessories for PT units	66
Gun manifold assemblies (optional)	68/69

1. Safety regulations for Airless spraying

1.1 Explanation of symbols used

This manual contains information that must be read and understood before using the equipment. When you come to an area that has one of the following symbols, pay particular attention and make certain to heed the safeguard.

	This symbol indicates a potential hazard that may cause serious injury or loss of life. Important safety information will follow.
	This symbol indicates a potential hazard to you or to the equipment. Important information that tells how to prevent damage to the equipment or how to avoid causes of minor injuries will follow.
	Danger of skin injection
	Danger of fire from solvent and paint fumes
	Danger of explosion from solvent, paint fumes and incompatible materials
	Danger of injury from inhalation of harmful vapors
	Notes give important information which should be given special attention.
	<p>WARNING! CALIFORNIA PROPOSITION 65 WARNING</p> <p>This product can expose you to chemicals including lead, which are known to the State of California to cause cancer, birth defects, or other reproductive harm.</p> <p>The engine exhaust from models with gas-powered engines can expose you to carbon monoxide which is known to the State of California to cause cancer, birth defects, and other reproductive harm.</p> <p>For more information go to www.P65warnings.ca.gov.</p>



HAZARD: INJECTION INJURY

A high pressure stream produced by this equipment can pierce the skin and underlying tissues, leading to serious injury and possible amputation.

Do not treat a spraying injury as a harmless cut. In case of injury to the skin through coating materials or solvents, consult a doctor immediately for quick and expert treatment. Inform the doctor about the coating material or solvent used.

PREVENTION:

- NEVER aim the gun at any part of the body.
- NEVER allow any part of the body to touch the fluid stream. DO NOT allow body to touch a leak in the fluid hose.

- NEVER put your hand in front of the gun. Gloves will not provide protection against an injection injury.
- ALWAYS lock the gun trigger, shut the fluid pump off and release all pressure before servicing, cleaning the tip guard, changing tips, or leaving unattended. Pressure will not be released by turning off the engine. The PRIME/SPRAY valve or pressure bleed valve must be turned to their appropriate positions to relieve system pressure.
- ALWAYS keep tip guard in place while spraying. The tip guard provides some protection but is mainly a warning device.
- ALWAYS remove the spray tip before flushing or cleaning the system.
- NEVER use a spray gun without a working trigger lock and trigger guard in place.
- All accessories must be rated at or above the maximum operating pressure range of the sprayer. This includes spray tips, guns, extensions, and hose.



HAZARD: HIGH PRESSURE HOSE

The paint hose can develop leaks from wear, kinking and abuse. A leak can inject material into the skin. Inspect the hose before each use.

PREVENTION:

- Avoid sharp bending or kinking of the high-pressure hose. The smallest bending radius amounts to about 20 cm.
- Do not drive over the high-pressure hose. Protect against sharp objects and edges.
- Replace any damaged high-pressure hose immediately.
- Never repair defective high-pressure hoses yourself!
- Electrostatic charging of spray guns and the high-pressure hose is discharged through the high-pressure hose. For this reason the electric resistance between the connections of the high-pressure hose must be equal to or lower than 1MΩ.
- For reasons of function, safety and durability use only original Titan high-pressure hoses.
- Before each use, check all hoses for cuts, leaks, abrasion or bulging of cover. Check for damage or movement of couplings. Immediately replace the hose if any of these conditions exist. Never repair a paint hose. Replace it with another earthed high-pressure hose.
- Make sure power cord, air hose and spray hoses are routed in such a manner to minimize slip, trip and fall hazard.



HAZARD: EXPLOSION OR FIRE

Flammable vapors, such as solvent and paint vapors, in work area can ignite or explode.

PREVENTION:

- Use equipment only in well ventilated area. Keep a good supply of fresh air moving through the area to keep the air within the spray area free from accumulation of flammable vapors. Keep pump assembly in well ventilated area. Do not spray pump assembly.
- Electric models only - Do not use materials with a flashpoint below 38° C (100° F). Flashpoint is the temperature at which a fluid can produce enough vapors to ignite.
- Gas models only - Do not fill fuel tank while engine is running or hot; shut off engine and allow to cool. Fuel is flammable and can ignite or explode if spilled on a hot surface.
- Eliminate all ignition sources, such as pilot lights, cigarettes, portable electric lamps and plastic drop cloths (potential static arc).

- Keep work area free of debris, including solvent, rags and gasoline.
- Do not plug or unplug power cords, or turn power or light switches on or off when flammable vapors are present.
- Ground equipment and conductive objects in work area. Make sure the grounding cable (not equipped) is connected from the grounding lug to a true earth ground.
- Use only grounded hoses.
- Hold spray gun firmly to the side of a grounded pail when triggering into pail.
- If there is static sparking or if you feel a shock, stop operation immediately.
- Know the contents of the paint and solvents being sprayed. Read all Material Safety Data Sheets (MSDS) and container labels provided with the paints and solvents. Follow the paint and solvent manufacturer's safety instructions.
- Do not use a paint or solvent containing halogenated hydrocarbons. Such as chlorine, bleach, mildewcide, methylene chloride and trichloroethane. They are not compatible with aluminum. Contact the coating supplier about compatibility of material with aluminum.
- Keep a fire extinguisher in work area.



HAZARD: HAZARDOUS VAPORS

Paints, solvents, and other materials can be harmful if inhaled or come in contact with body. Vapors can cause severe nausea, fainting, or poisoning.

PREVENTION:

- Wear respiratory protection when spraying. Read all instructions supplied with the mask to be sure it will provide the necessary protection.
- All local regulations regarding protection against hazardous vapors must be observed.
- Wear protective eyewear.
- Protective clothing, gloves and possibly skin protection cream are necessary for the protection of the skin. Observe the regulations of the manufacturer concerning coating materials, solvents and cleaning agents in preparation, processing and cleaning units.



HAZARD: GENERAL

This product can cause severe injury or property damage.

PREVENTION:

- Follow all appropriate local, state, and national codes governing ventilation, fire prevention, and operation.
- Pulling the trigger causes a recoil force to the hand that is holding the spray gun. The recoil force of the spray gun is particularly powerful when the tip has been removed and a high pressure has been set on the airless pump. When cleaning without a spray tip, set the pressure control knob to the lowest pressure.
- Use only manufacturer authorized parts. User assumes all risks and liabilities when using parts that do not meet the minimum specifications and safety devices of the pump manufacturer.
- ALWAYS follow the material manufacturer's instructions for safe handling of paint and solvents.
- Clean up all material and solvent spills immediately to prevent slip hazard.
- Wear ear protection. This unit can produce noise levels above 85 dB(A).

- Never leave this equipment unattended. Keep away from children or anyone not familiar with the operation of airless equipment.
- Do not spray on windy days.
- The device and all related liquids (i.e. hydraulic oil) must be disposed of in an environmentally friendly way.

1.2 Electric Safety

Electric models must be earthed. In the event of an electrical short circuit, earthing reduces the risk of electric shock by providing an escape wire for the electric current. This product is equipped with a cord having an earthing wire with an appropriate earthing plug. Connection to the mains only through a special feed point, e.g. through an error protection installation with INF < 30 mA.



DANGER — Work or repairs at the electrical equipment may only be carried out by a skilled electrician. No liability is assumed for incorrect installation. Switch the unit off. Before all repair work, unplug the power plug from the outlet.

Danger of short-circuits caused by water ingressing into the electrical equipment. Never spray down the unit with high-pressure or high-pressure steam cleaners.

Work or repairs at the electrical equipment:

These may only be carried out by a skilled electrician. No liability is assumed for incorrect installation.

Operating Temperature

This equipment will operate correctly in its intended ambient, at a minimum between +10°C and +40°C.

Relative Humidity

The equipment will operate correctly within an environment at 50% RH, +40°C. Higher RH may be allowed at lower temperatures.

Measures shall be taken by the Purchaser to avoid the harmful effects of occasional condensation.

Altitude

This equipment will operate correctly up to 2100 m above mean sea level.

Transportation and Storage

This equipment will withstand, or has been protected against, transportation and storage temperatures of -25°C to +55°C and for short periods up to +70°C.

It has been packaged to prevent damage from the effects of normal humidity, vibration and shock.

1.3 Gasoline Engine Safety

1. Gas engines are designed to give safe and dependable service if operated according to instructions. Read and understand the engine manufacturer's Owner's Manual before operating the engine. Failure to do so could result in personal injury or equipment damage.
2. To prevent fire hazards and to provide adequate ventilation, keep the engine at least 1 meter (3 feet) away from buildings and other equipment during operation. Do not place flammable objects close to the engine.
3. People who are not operating the device must stay away from the area of operation due to a possibility of burns from hot engine components or injury from any equipment the engine may be used to operate.
4. Know how to stop the engine quickly, and understand the operation of all controls. Never permit anyone to operate the engine without proper instructions.
5. Gasoline is extremely flammable and is explosive under certain conditions.
6. Refuel in a well-ventilated area with the engine stopped. Do not smoke or allow flames or sparks in the refueling area or where gasoline is stored.

Safety precautions

7. Do not overfill the fuel tank. After refueling, make sure the tank cap is closed properly and securely.
8. Be careful not to spill fuel when refueling. Fuel vapor or spilled fuel may ignite. If any fuel is spilled, make sure the area is dry before starting the engine.
9. Never run the engine in an enclosed or confined area. Exhaust contains poisonous carbon monoxide gas; exposure may cause loss of consciousness and may lead to death.
10. The muffler becomes very hot during operation and remains hot for a while after stopping the engine. Be careful not to touch the muffler while it is hot. To avoid severe burns or fire hazards, let the engine cool before transporting it or storing it indoors.
11. Never ship/transport sprayer with gasoline in the tank.



DO NOT use this equipment to spray water or acid.



Do not lift by cart handle when loading or unloading. Device is very heavy. Three-person lift is required.

Attention

1.4 Fueling (gas engine)



Gasoline is extremely flammable and is explosive under certain conditions.



Do not overfill the gas tank. Overfilling can cause the gas cap to become clogged with any particles in the gasoline which can cause a vacuum. Read the gas engine's instruction manual for fueling instructions.

Attention

Fuel Specifications

- Use automotive gasoline that has a pump octane number of 86 or higher, or that has a research octane number of 91 or higher. Use of a lower octane gasoline can cause persistent "pinging" or heavy "spark knock" (a metallic rapping noise) which, if severe, can lead to engine damage.



If "spark knock" or "pinging" occurs at a steady engine speed under normal load, change brands of gasoline. If spark knock or pinging persists, consult an authorized dealer of the engine manufacturer. Failure to do so is considered misuse, and damage caused by misuse is not covered by the engine manufacturer's limited warranty.

Occasionally you may experience light spark knock while operating under heavy loads. This is no cause for concern, it simply means your engine is operating efficiently.

- Unleaded fuel produces fewer engine and spark plug deposits and extends the life of the exhaust system components.
- Never use stale or contaminated gasoline or an oil/gasoline mixture. Avoid getting dirt, dust, or water in the fuel tank.

Gasolines Containing Alcohol

If you decide to use a gasoline containing alcohol (gasohol), be sure its octane rating is at least as high as that recommended by the engine manufacturer. There are two types of "gasohol": one containing ethanol, and the other containing methanol. Do not use gasohol that contains more than 10% ethanol. Do not use gasoline containing methanol (methyl or wood alcohol) that does not also contain co-solvents and corrosion inhibitors for methanol. Never use gasoline containing more than 5% methanol, even if it has co-

solvents and corrosion inhibitors.

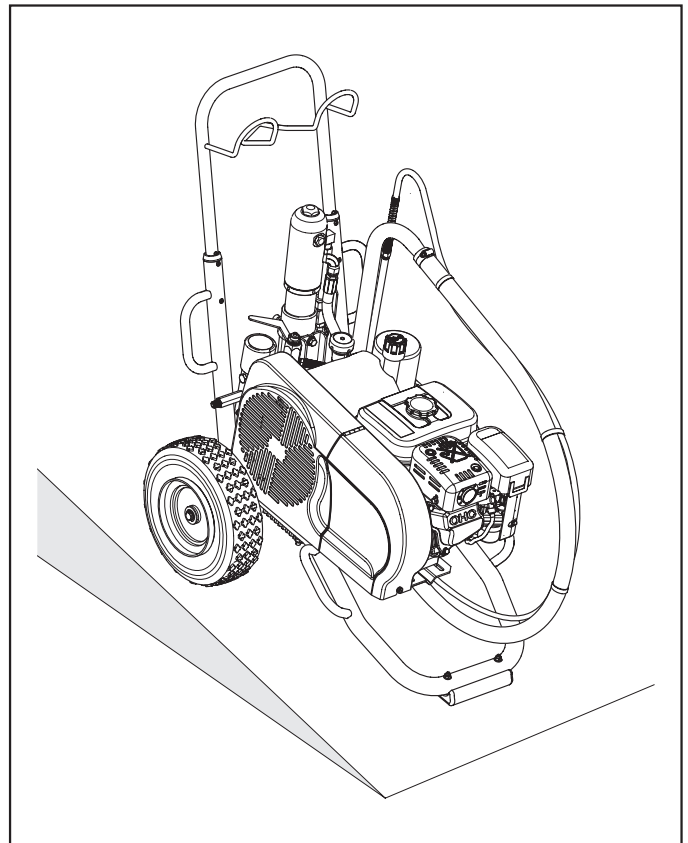


Fuel system damage or engine performance problems resulting from the use of fuels that contain alcohol is not covered under the warranty. The engine manufacturer cannot endorse the use of fuels containing methanol since evidence of their suitability is incomplete at this time.

Before buying gasoline from an unfamiliar station, try to find out if the gasoline contains alcohol. If it does, confirm the type and percentage of alcohol used. If you notice any undesirable operating characteristics while using a gasoline that contains alcohol, or one that you think contains alcohol, switch to a gasoline that you know does not contain alcohol.

1.5 Setting up on uneven surfaces

The front side of the unit must point downwards to prevent sliding away.



2. General view of application

2.1 Application

Priming and final coating of large areas, sealing, impregnation, construction sanitation, façade protection and renovation, rust protection and building protection, roof coating, roof sealing, concrete sanitation, as well as heavy corrosion protection.

Examples of objects to be sprayed

Large-scale construction sites, cooling towers, bridges, sewage treatment plants and terraces.

2.2 Coating materials

Processible coating materials



Pay attention to the Airless quality of the coating materials to be processed.

Latex paint, dispersion paints, fire protection and thick film materials, zinc dust and micaceous iron ore paints, Airless spray primer, sprayable glue, anti-corrosive agents, thick coating materials and bitumen-like coating materials.

No other materials should be used for spraying without Titan's approval.

Filtering

In spite of the high-pressure filter, filtering of the coating material is to be recommended in general (except when processing airless joint filler).

Stir coating material before commencement of work.



Make sure when stirring with motor-driven agitators that no air bubbles are stirred in. Air bubbles disturb when spraying and can, in fact, lead to interruption of operation.

Viscosity

It is possible to work with high-viscosity coating materials with the devices.

If highly viscous coating materials cannot be sucked up, they must be diluted in accordance with the manufacturer's instruction.

Two-component coating material

The appropriate processing time must be adhered to exactly. Within this time rinse through and clean the unit meticulously with the appropriate cleaning agents.

Coating materials with sharp-edged additional materials

These have a strong wear and tear effect on valves, high-pressure hose, spray gun and tip. The durability of these parts can be reduced appreciably through this.

3. Description of unit

3.1 Airless process

The main area of application are thick layers of highly viscous coating material for large areas and a high consumption of material.

A piston pump takes in the coating material by suction and conveys it to the tip. Pressed through the tip at a pressure of up to a maximum of 3300-3600 psi (228-248 bar, 24.4-24.8 MPa), the coating material is atomised. This high pressure has the effect of micro fine atomisation of the coating material.

As no air is used in this process, it is described as an AIRLESS process.

This method of spraying has the advantages of finest atomisation, cloudless operation and a smooth, bubble-free surface. As well as these, the advantages of the speed of work and convenience must be mentioned.

3.2 Functioning of the unit

The following section contains a brief description of the technical construction for better understanding of the function.

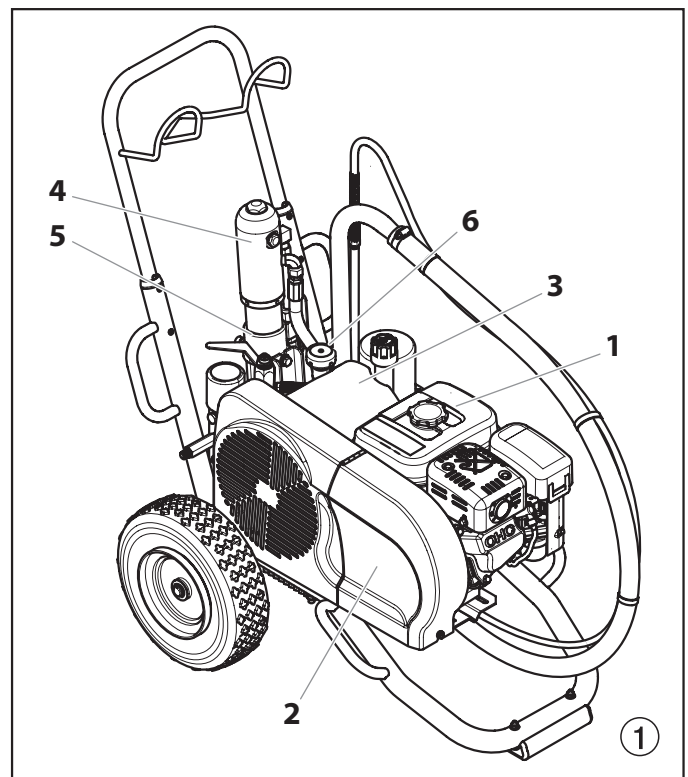
TITAN PowrTwin Plus (PT) are high-pressure spraying units driven by either a gasoline engine or electric motor.

The gasoline engine or electric motor (fig. 1, item 1) drives the hydraulic pump (3) by means of a V-belt which is under the belt cover (2). Hydraulic oil flows to the Speeflo® HydraDrive™ hydraulic motor (4) and then moves the piston up and down in the material feed pump (5).



The inlet valve is opened automatically by the upwards movement of the piston. The outlet valve is opened when the piston moves downward.

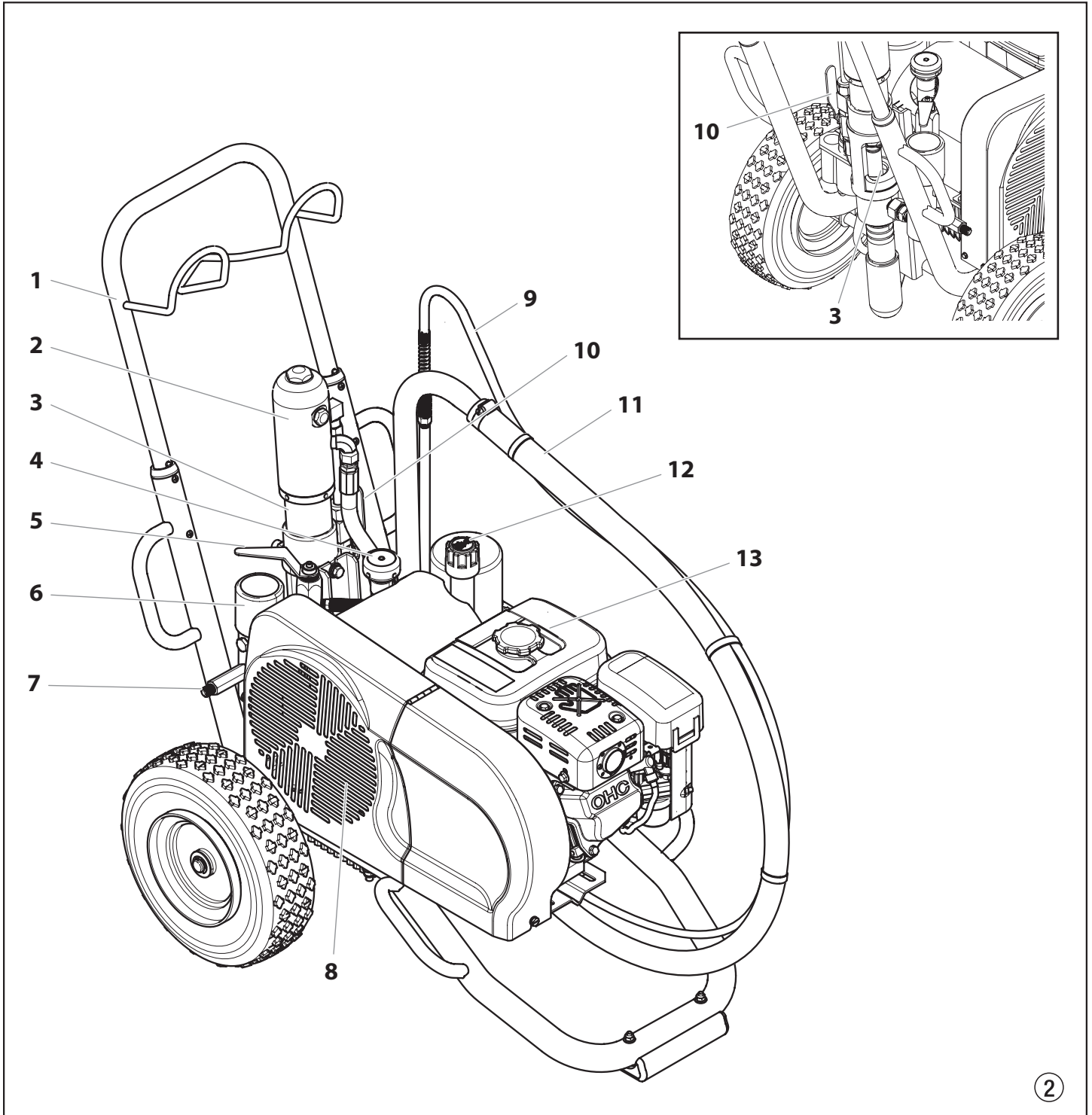
The coating material flows under high pressure through the high-pressure hose to the spray gun. When the coating material exits from the tip it atomises.

The pressure control valve (6) controls the volume and the operating pressure of the coating material.





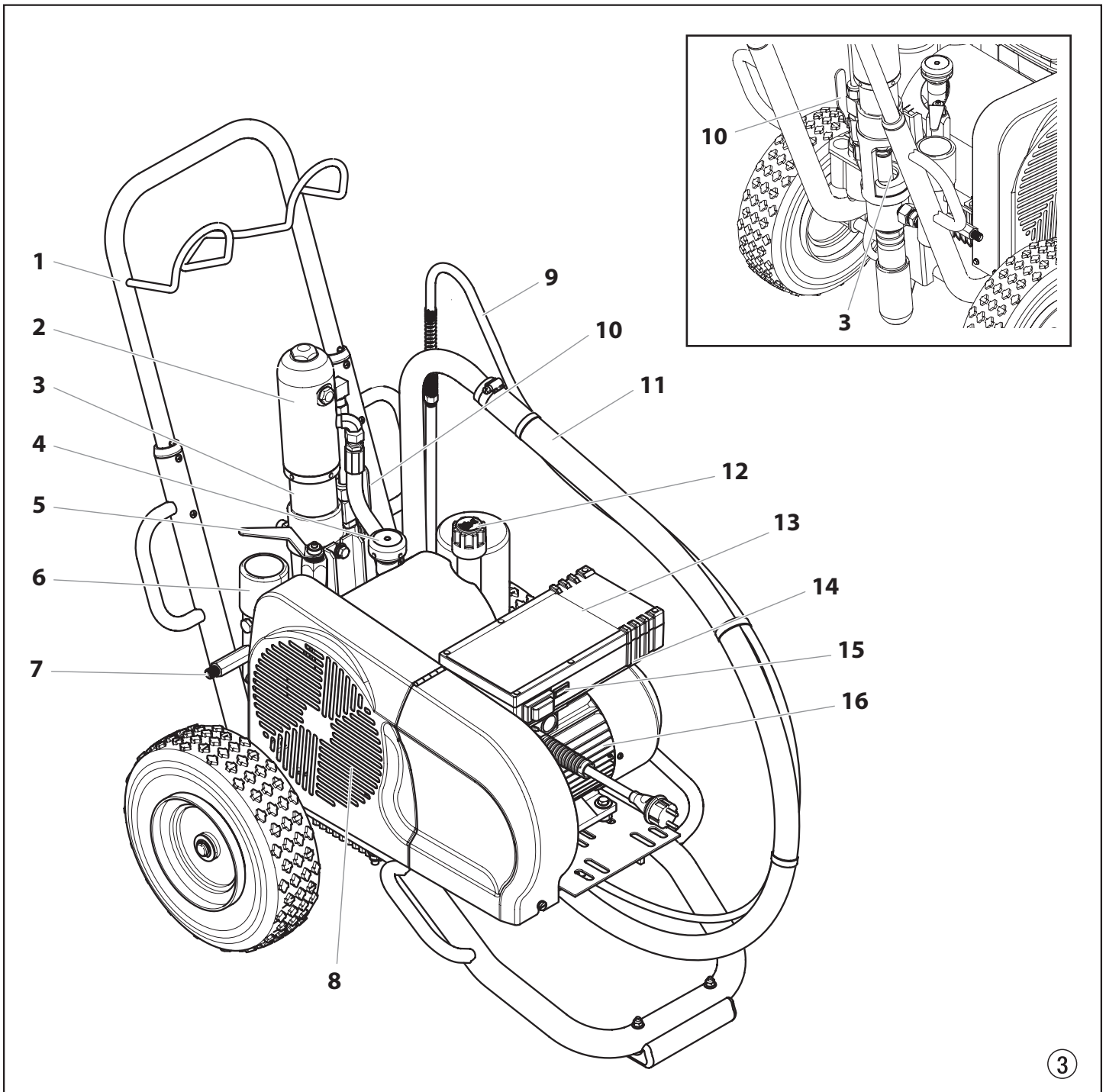
3.3 System diagram - gasoline PT units

- | | |
|---|--|
| 1 Extractable handle | 7 High-pressure hose outlet |
| 2 Speeflo® HydraDrive™ hydraulic motor | 8 V-belt under the belt cover |
| 3 Oil cup for separating oil (separating oil prevents increased wear and tear of the packings) | 9 Bleed hose |
| 4 Pressure control knob | 10 Ball valve: horizontal position – hydraulic motor switched off
vertical position – hydraulic motor switched on |
| 5 Relief valve handle: Turn left for circulation  Turn right for spray  | 11 Suction tube |
| 6 High-pressure filter | 12 Oil measuring stick |
| | 13 Gasoline engine |



3.4 System diagram - electric PT units

- | | |
|--|--|
| 1 Extractable handle | 9 Bleed hose |
| 2 Speeflo® HydraDrive™ hydraulic motor | 10 Ball valve: horizontal position – hydraulic motor switched off
vertical position – hydraulic motor switched on |
| 3 Oil cup for separating oil (separating oil prevents increased wear and tear of the packings) | 11 Suction tube |
| 4 Pressure control knob | 12 Oil measuring stick |
| 5 Relief valve handle: Turn left for circulation 
Turn right for spray  | 13 Electric motor (230V) |
| 6 High-pressure filter | 14 ON/OFF switch |
| 7 High-pressure hose outlet | 15 Control lamp that shows unit operational |
| 8 V-belt under the belt cover | 16 Power Cord |



3.5 Technical data for PT units

	PT4900 Plus (230V)	PT4900 Plus (gas)	PT6900 Plus	PT8900 Plus	PT12000 Plus
Gasoline engine, power					
Honda	-----	163cc, 4.8 Hp	163cc, 4.8 Hp	196cc, 5.5 Hp	270cc, 8.5 Hp
Kohler	-----	-----	-----	-----	277cc, 9.5 Hp
Fuel Capacity					
	-----	0.83 US gal (3.1 l)	0.83 US gal (3.1 l)	0.83 US gal (3.1 l)	1.6 US gal (6.06 l)
Voltage					
	230 V~, 50 Hz	-----	-----	-----	-----
Capacity					
	2.6 kW	-----	-----	-----	-----
Power Cord					
	3 x 2.5 mm ² – 6 m	-----	-----	-----	-----
Fuse Protection					
	16 A	-----	-----	-----	-----
Max. operating pressure					
	22.8 MPa (228 bar, 3300 psi)				24.8 MPa (248 bar, 3600 psi)
Max. sound pressure level					
	80 dB (A)*	92 dB (A)*		98 dB (A)*	
Max. size of tip with a spray gun					
1-gun	0.038" – 0.97 mm	0.044" – 1.12 mm	0.050" – 1.27 mm	0.054" – 1.37 mm	0.058" – 1.47 mm
2-gun	0.027" – 0.69 mm	0.031" – 0.79 mm	0.035" – 0.89 mm	0.038" – 0.96 mm	0.040" – 1.01 mm
3-gun	0.021" – 0.53 mm	0.025" – 0.64 mm	0.029" – 0.74 mm	0.032" – 0.81 mm	0.034" – 0.86 mm
4-gun	-----	-----	0.025" – 0.64 mm	0.028" – 0.71 mm	0.030" – 0.76 mm
5-gun	-----	-----	-----	0.024" – 0.61 mm	0.026" – 0.66 mm
6-gun	-----	-----	-----	-----	0.024" – 0.61 mm
Max. volume flow					
	1.1 gal (4.2 l)/min	1.5 gal (5.7 l)/min	2.25 gal (8.5 l)/min	2.5 gal (9.5 l)/min	3.15 gal (11.9 l)/min
Weight					
	139 lbs. (63 kg)	132 lbs. (60 kg)	139 lbs. (63 kg)	154 lbs. (70 kg)	183 lbs. (83 kg)
Max. viscosity					
	50.000 mPa·s			65.000 mPa·s	
Dimensions L x W x H					
	37.2" x 26.8" x 35" (946 x 680 x 890 mm)			42.5" x 27" x 31" (1080 x 686 x 866 mm)	46" x 27" x 31" (1168 x 686 x 866 mm)
Max. temperature of the coating material					
	109°F (43° C)				
Filter insert (standard equipment)					
	50 mesh, 18 in ²			5 mesh, 18 in ²	
Hydraulic oil filling quantity					
	5.9 l (1.56 gal) CoolFlo				
Max. tire pressure					
	0.2 MPa (2 bar)				
Special high-pressure hose					
	DN 6 mm, 15 m (50' x 1/4"), connection thread NPSM 1/4				

* Place of measurement: 1 m distance from unit and 1.60 m above reverberant floor, 120 bar (12 MPa) operating pressure.

3.6 Airless Spray Tip Recommendation Chart

Viscosity	Filter Mesh	Coating	Orifice Range	Synergy™ (Fine Finish)
Light	100-150	Varnishes	.009 - .011	.008 - .010
		Lacquer Finishes (clear)	.009 - .011	.008 - .010
		Sanding Sealers	.009 - .011	.008 - .010
		Shellac (clear)	.009 - .013	.008 - .012
		Transparent Stain	.011 - .013	.010 - .012
		Water Sealers (clear)	.011 - .013	.010 - .012
Medium	60-100	Solid Stains	.013 - .015	
		Exterior House Paints	.013 - .017	
		Interior Wall Paints	.013 - .017	
		Interior & Exterior Primers	.017 - .019	
Heavy	30-60	Commercial Grade		
		Architectural Coatings	.017 - .019	
		Interior Wall Paints	.017 - .019	
		Interior Wall Primers	.017 - .019	
		Dry Fall (quick dry)	.019 - .023	
		One Coat, Primer-Finish Paints	.019 - .023	
Extra Heavy	0	Elastomerics	.021 - .031	
		Pigmented Waterproofers	.021 - .027	
		Block Filler	.025 - .031	

Orifice sizes recommended on this chart are based on fan widths between 8 inches (20 cm) and 12 inches (30 cm)

3.7 Instruction manuals list

The following is a list of the available instruction manuals for this unit. Online items can be downloaded at www.titantool.com

Description	Form #	How to Find
Operation Manuals		
GB/D/F	537853	<ul style="list-style-type: none"> included with unit online
E/I/P	537854	
NL/DK/S	537855	
RFB	537867	
Service Manual, Spare Parts		
GB/D/F	2439109	<ul style="list-style-type: none"> online
E/I/P	2439114	
NL/DK/S	2439115	
RFB	2439116	

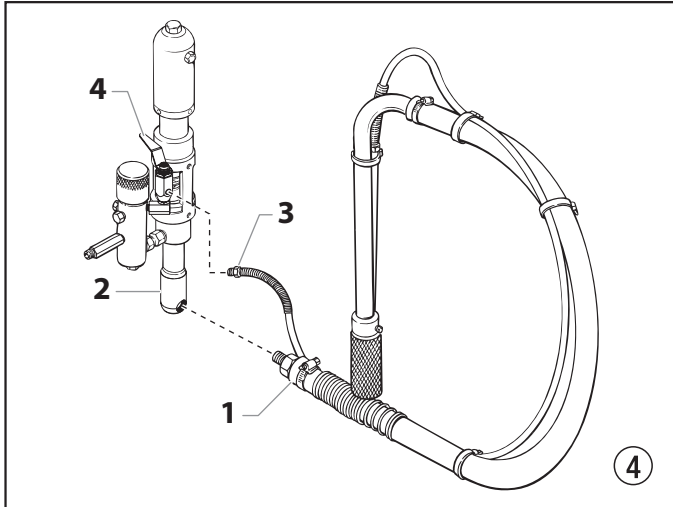
4. Operation



This equipment produces a fluid stream at extremely high pressure. Read and understand the warnings in the Safety Precautions section at the front of this manual before operating this equipment.

4.1 Setup

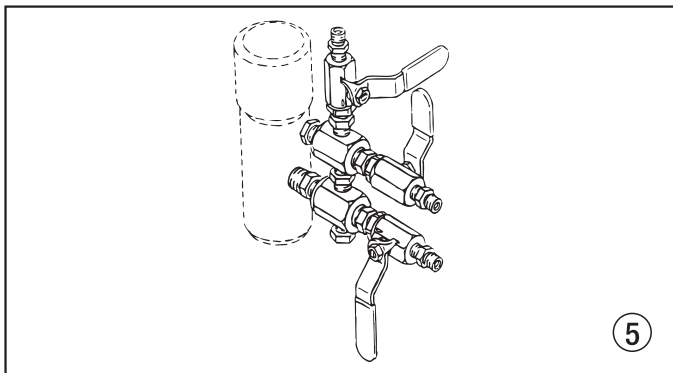
1. Make sure the siphon hose (fig. 4, 1) is connected to the fluid section (2) and the bleed hose (3) is connected to the bleed valve (4). They each have factory installed PTFE tape on the male end of the hoses and should be wrench tight.



2. Attach a minimum of 15m of nylon airless spray hose to the sprayer. Do not use PTFE tape or thread sealant on the spray hose connection.
3. Attach an airless spray gun to the spray hose. Do not attach the tip to the spray gun yet. Remove the tip if it is already attached.
 - a. To use two guns, remove the plug from the second gun outlet on the filter assembly. Connect a hose and gun to the outlet.



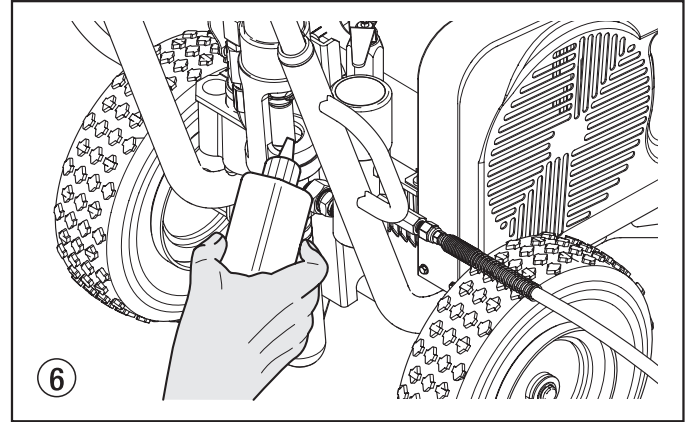
For multiple gun operation, connect a multiple gun manifold to the single gun outlet. Connect a hose and gun to each outlet. Make sure the second gun outlet remains plugged. See "Technical Data", Section 3.5 to determine number of guns and maximum spray tip sizes.



4. Fill the oil cup 1/2 full with Piston Lube (P/N 314-480). This extends packing life.



Piston Lube prevents increased wear and tear to the packings.



5. Check the hydraulic fluid level daily before starting the sprayer. The hydraulic fluid level should be at the "Full" mark on the dipstick. Refer to the Maintenance section of this manual for hydraulic system maintenance instructions.



Use of Titan's Coolflo™ Hydraulic Fluid (P/N 430-361) is mandatory in the hydraulic system. Do not use any other hydraulic fluid. Use of any other hydraulic fluid may seriously damage the hydraulic system and will void the warranty.

6. For gas models, check the engine oil level daily before starting the sprayer. The gasoline engine oil level is determined by the engine manufacturer. Refer to the engine manufacturer's service manual supplied with this sprayer.
7. For electric models, use a 20 amp service outlet. Always locate the electric model within 10 to 15 feet of the service outlet. Use a short electric cable and a long paint hose. Any extension cord will create some voltage drop. If an extension cord is necessary, use only a grounded 3-wire #12 extension cord.
8. Make sure the sprayer is earthed. All sprayers are equipped with a earthing lug. An earthing cable (not supplied) should be used to connect the sprayer to a true earth ground. Check your local electrical regulations for detailed earthing instructions.



Proper earthing is important. This applies to both gas and electric powered models. The passage of some materials through the nylon fluid hose will build up a static electric charge, which if discharged, could ignite solvent vapors present and create an explosion.

9. Strain all paints with a nylon strainer to ensure trouble free operation and freedom from frequent cleaning of the inlet screen and gun filter.
10. Make sure the spray area is well ventilated to prevent hazardous operation with volatile solvents or exhaust fumes.



If lacquer or other flammable materials are to be sprayed, ALWAYS locate the sprayer outside the immediate spraying area. Failure to do so may cause an explosion.

11. Locate the sprayer outside the immediate spraying area to avoid clogged air intake of the engine or electric motor with overspray.

4.2 Preparing a New Sprayer

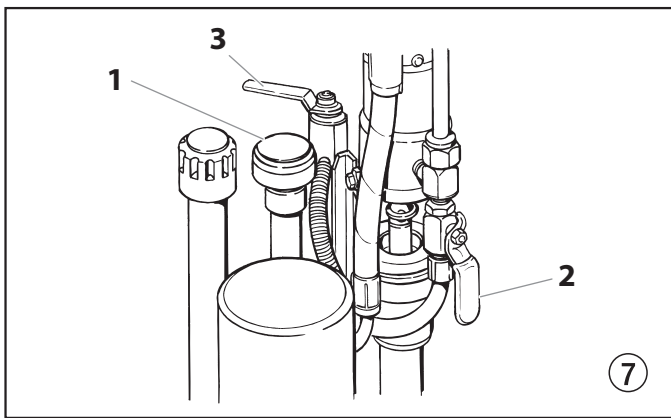
If this unit is new, it is shipped with test fluid in the fluid section to prevent corrosion during shipment and storage. This fluid must be thoroughly cleaned out of the system with mineral spirits before you begin spraying.



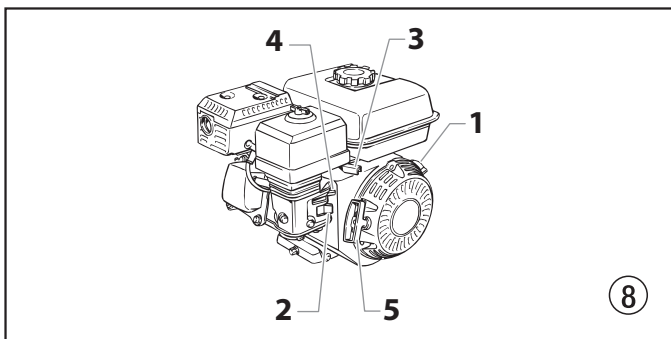
Attention

Always keep the trigger lock on the spray gun in the locked position while preparing the system.

1. Place the siphon tube into a container of mineral spirits.
2. Place the bleed hose into a metal waste container.
3. Turn the pressure control knob fully counterclockwise to its lowest pressure setting (fig 7, 1).
4. Open the hydraulic shut-off valve (2) located on the hydraulic pressure hose. The handle should be in line with the hose.
5. Open the bleed valve (3) by turning it fully counterclockwise.



6. Start the engine or turn on the electric motor.
 - a. To start the gas engine (fig. 8),
 - move the fuel valve lever (2) to the open position,
 - move the throttle lever (3) to its middle point,
 - move the choke lever (4) to the closed position for a cold engine or to the open position for a warm engine,
 - turn the engine switch (1) to the ON position, and
 - pull the starter rope (5) briskly until the engine starts.
 - b. To start the electric motor, move the ON/OFF switch to the ON position.



7. Turn the pressure control knob (fig. 7, 1) clockwise approximately 1/3 of the way down to increase pressure until the sprayer cycles evenly and solvent flows freely from the bleed hose.
8. Allow the sprayer to run for 15–30 seconds to flush the test fluid out through the bleed hose and into the waste container.

9. Turn off the sprayer.
 - a. To turn off the gas engine,
 - set the pressure to minimum by turning the pressure control knob fully counterclockwise,
 - move the throttle lever to the slow position, and
 - turn the engine switch to the OFF position.
 - b. To turn off the electric motor,
 - set the pressure to minimum by turning the pressure control knob fully counterclockwise,
 - move the ON/OFF switch to the OFF position.

4.3 Preparing to Paint

Before painting, it is important to make sure that the fluid in the system is compatible with the paint that is going to be used.



Incompatible fluids and paint may cause the valves to become stuck closed, which would require disassembly and cleaning of the sprayer's fluid section.



Attention

Always keep the trigger lock on the spray gun in the locked position while preparing the system.

1. Place the siphon tube into a container of the appropriate solvent for the material being sprayed.

- i** **If you are spraying a water-based latex, flush with warm, clean water. If you are using any other material, check with the material manufacturer for a compatible solvent.**

2. Place the bleed hose into a metal waste container.
3. Turn the pressure control knob fully counterclockwise to its lowest pressure setting (fig 7, 1).
4. Open the hydraulic shut-off valve (2) located on the hydraulic pressure hose. The handle should be in line with the hose.
5. Open the bleed valve (3) by turning it fully counterclockwise.
6. Start the engine or turn on the electric motor.
 - a. To start the gas engine (fig. 8),
 - move the fuel valve lever (2) to the open position,
 - move the throttle lever (3) to its middle point,
 - move the choke lever (4) to the closed position for a cold engine or to the open position for a warm engine,
 - turn the engine switch (1) to the ON position, and
 - pull the starter rope (5) briskly until the engine starts.
 - b. To start the electric motor, move the ON/OFF switch to the ON position.
7. Turn the pressure control knob (1) clockwise approximately 1/3 of the way down to increase pressure until the sprayer cycles evenly and solvent flows freely from the bleed hose.
8. Allow the sprayer to run for 15–30 seconds to flush the test fluid out through the bleed hose and into the waste container.
9. Turn off the sprayer.
 - a. To turn off the gas engine,
 - set the pressure to minimum by turning the pressure control knob fully counterclockwise,
 - move the throttle lever to the slow position, and
 - turn the engine switch to the OFF position.
 - b. To turn off the electric motor,
 - set the pressure to minimum by turning the pressure control knob fully counterclockwise,
 - move the ON/OFF switch to the OFF position.

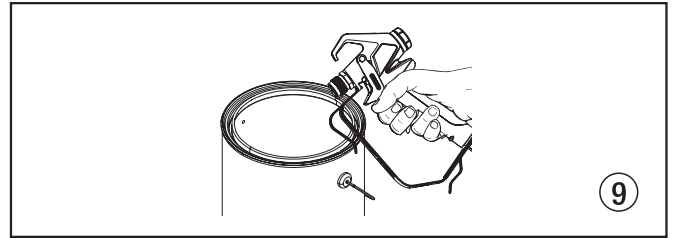


Make sure that the spray gun does not have a tip or tip guard installed.

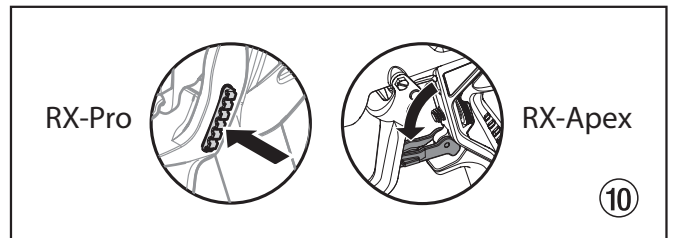
10. Close the bleed valve by turning it fully clockwise.
11. Start the engine or turn on the electric motor.
12. Turn the pressure control knob clockwise approximately 1/3 of the way down to increase pressure.
13. Unlock the gun by turning the gun trigger lock to the unlocked position.



Earth the gun by holding it against the edge of the metal container while flushing. Failure to do so may lead to a static electric discharge, which may cause a fire.



14. Trigger the gun into the metal waste container until the old solvent is gone and fresh solvent is coming out of the gun.
15. Lock the gun by turning the gun trigger lock to the locked position (fig 10).



16. Set down the gun and increase the pressure by turning the pressure control knob slowly clockwise to its highest setting.
17. Check the entire system for leaks. If leaks occur, turn the sprayer off and follow the "Pressure Relief Procedure" in this manual before tightening any fittings or hoses.
18. Follow the "Pressure Relief Procedure" (section 4.5) in this manual before changing from solvent to paint.



Be sure to follow the Pressure Relief Procedure when shutting the unit down for any purpose, including servicing or adjusting any part of the spray system, changing or cleaning spray tips, or preparing for cleanup.

4.4 Painting

1. Place the siphon hose into a container of paint.
2. Place the bleed hose into a metal waste container.
3. Turn the pressure control knob fully counterclockwise to its lowest pressure setting (fig 7, 1).
4. Open the hydraulic shut-off valve (2) located on the hydraulic pressure hose. The handle should be in line with the hose.
5. Open the bleed valve (3) by turning it fully counterclockwise.
6. Start the engine or turn on the electric motor.
 - a. To start the gas engine (fig. 8),
 - move the fuel valve lever (2) to the open position,
 - move the throttle lever (3) to its middle point,
 - move the choke lever (4) to the closed position for a cold engine or to the open position for a warm engine,
 - turn the engine switch (1) to the ON position, and
 - pull the starter rope (5) briskly until the engine starts.
 - b. To start the electric motor, move the ON/OFF switch to the ON position.
7. Turn the pressure control knob (1) clockwise approximately 1/3 of the way down to increase pressure until the sprayer cycles evenly and solvent flows freely from the bleed hose.
8. Turn off the sprayer.
 - a. To turn off the gas engine,
 - set the pressure to minimum by turning the pressure control knob fully counterclockwise,
 - move the throttle lever to the slow position, and
 - turn the engine switch to the OFF position.
 - b. To turn off the electric motor,
 - set the pressure to minimum by turning the pressure control knob fully counterclockwise,
 - move the ON/OFF switch to the OFF position.
9. Remove the bleed hose from the waste container and place it into the container of paint.
10. Close the bleed valve by turning it fully clockwise.
11. Start the engine or turn on the electric motor.
12. Turn the pressure control knob clockwise approximately 1/3 of the way down to increase pressure.
13. Unlock the gun by turning the gun trigger lock to the unlocked position.



Earth the gun by holding it against the edge of the metal container while flushing. Failure to do so may lead to a static electric discharge, which may cause a fire.

14. Trigger the gun into the metal waste container until all air and solvent is flushed from the spray hose and paint is flowing freely from the gun.
15. Lock the gun by turning the gun trigger lock to the locked position (fig 10).
16. Turn off the sprayer.
17. Attach tip guard and tip to the gun as instructed by the tip guard or tip manuals.



POSSIBLE INJECTION HAZARD. Do not spray without the tip guard in place. Never trigger the gun unless the tip is in either the spray or the unclog position. Always engage the gun trigger lock before removing, replacing or cleaning tip.

18. Start the engine or turn on the electric motor.

19. Increase the pressure by turning the pressure control knob slowly clockwise and test the spray pattern on a piece of cardboard. Adjust the pressure control knob until the spray from the gun is completely atomized.



Turning the pressure up higher than needed to atomize the paint will cause premature tip wear and additional overspray.

4.5 Pressure Relief Procedure



Be sure to follow the Pressure Relief Procedure when shutting the unit down for any purpose, including servicing or adjusting any part of the spray system, changing or cleaning spray nozzles, or preparing for cleanup.

1. Lock the spray gun by turning the gun trigger lock to the locked position.
2. Turn off the sprayer.
 - a. To turn off the gas engine,
 - set the pressure to minimum by turning the pressure control knob fully counterclockwise,
 - move the throttle lever to the slow position, and
 - turn the engine switch to the OFF position.
 - b. To turn off the electric motor,
 - set the pressure to minimum by turning the pressure control knob fully counterclockwise,
 - move the ON/OFF switch to the OFF position.
3. Close the hydraulic shut-off valve on the hydraulic pressure hose.
4. Unlock the gun by turning the gun trigger lock to the unlocked position.
5. Hold the metal part of the gun firmly to the side of a metal waste container to earth the gun and avoid a build up of static electricity.
6. Trigger the gun to remove any pressure that may still be in the hose.
7. Lock the gun by turning the gun trigger lock to the locked position.
8. Place the bleed hose into the metal waste container.
9. Open the bleed valve by turning it fully counterclockwise.

5. Cleanup



The sprayer, hose, and gun should be cleaned thoroughly after daily use. Failure to do so permits material to build up, seriously affecting the performance of the unit.



Always spray at minimum pressure with the gun nozzle tip removed when using mineral spirits or any other solvent to clean the sprayer, hose, or gun. Static electricity buildup may result in a fire or explosion in the presence of flammable vapors.

5.1 Special cleanup instructions for use with flammable solvents

- Always flush spray gun preferably outside and at least one hose length from spray pump.
- If collecting flushed solvents in a one gallon metal container, place it into an empty five gallon container, then flush solvents.
- Area must be free of flammable vapors.
- Follow all cleanup instructions.

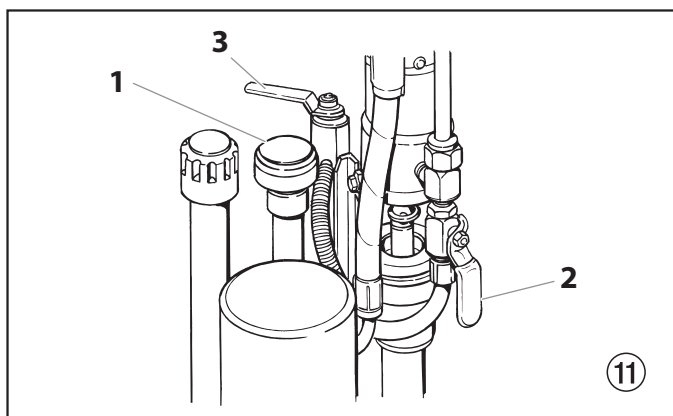
5.2 Cleaning the sprayer

1. Follow the "Pressure Relief Procedure" found in the Operation section of this manual, section 4.5.
2. Remove the gun tip and tip guard and clean with a brush using the appropriate solvent.
3. Place the siphon tube into a container of the appropriate solvent.



Use only compatible solvents when cleaning out oil based enamels, lacquers, coal tar, and epoxies. Check with the fluid manufacturer for the recommended solvent.

4. Place the bleed hose into a metal waste container.
5. Set the pressure to minimum by turning the pressure control knob (1) fully counterclockwise.
6. Open the hydraulic shut-off valve located on the hydraulic pressure hose (2). The handle should be in line with the hose.
7. Open the bleed valve (3) by rotating the bleed valve handle fully counterclockwise.



8. Start the engine or turn on the electric motor.
9. Allow the solvent to circulate through the sprayer and flush the paint out of the bleed hose into the metal waste container.
10. Turn off the sprayer.
11. Close the bleed valve by rotating the bleed valve handle fully clockwise.

12. Start the engine or turn on the electric motor.



Earth the gun by holding it against the edge of the metal container while flushing. Failure to do so may lead to a static electric discharge, which may cause a fire.

13. Trigger the gun into the metal waste container until the paint is flushed out of the hose and solvent is coming out of the gun.
14. Continue to trigger the spray gun into the waste container until the solvent coming out of the gun is clean.



For long-term, cold weather storage, or any freezing temperature exposure pump mineral spirits through the entire system.

For short-term storage not exposed to freezing temperatures when using latex paint, pump water mixed with Titan Liquid Shield through the entire system (see Accessories section of this manual for part number and product label for dilution instructions).

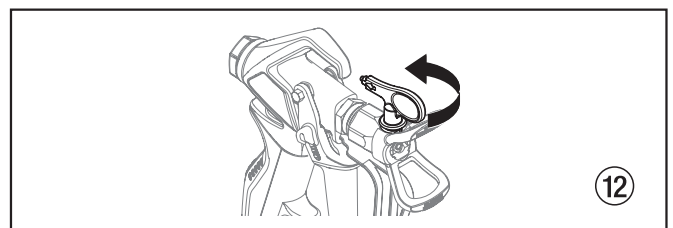
15. Follow the "Pressure Relief Procedure" found in the Operation section of this manual.
16. Store the sprayer in a clean, dry area.



Do not store the sprayer under pressure.

5.3 Cleaning a Clogged Tip

1. Follow the "Pressure Relief Procedure" in the Operation section of this manual.
2. If the tip clogs, rotate the tip handle 180° until the arrow on the handle is facing the opposite of the spray direction and the handle clicks in the reverse position.



3. Trigger the gun once so that the pressure can blow the clog out. NEVER use the tip in the reverse position for more than ONE trigger pull at a time. This procedure can be repeated until the tip is free of clogging.



The flow from the spray tip is at very high pressure. Contact with any body part may be dangerous. Do not place finger on gun outlet. Do not point the gun at any person. Never operate the spray gun without the proper tip guard.

6. Maintenance



Before proceeding, follow the Pressure Relief Procedure outlined previously in this manual. Additionally, follow all other warnings to reduce the risk of an injection injury, injury from moving parts or electric shock. Always unplug the sprayer before servicing!

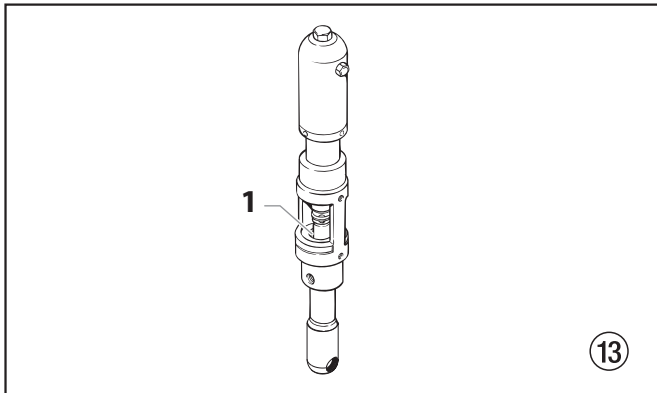
6.1 Daily Maintenance

Two daily procedures are required for routine operator maintenance on this sprayer:

- A. Lubricating the upper packings.
- B. Cleaning the filter screen

A) Lubricating the Upper Packings

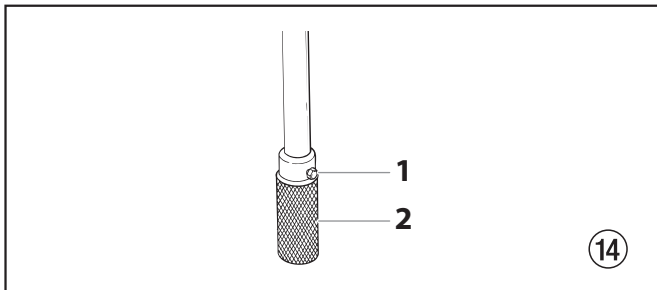
1. Clean out the paint that has seeped past the upper packings into the packing oil reservoir (fig. 13, item 1) above the fluid section.
2. Fill the packing oil reservoir 1/2 full with Piston Lube (P/N 314-480) supplied by the factory. This will extend packing life.



Do not over-fill the reservoir so that it overflows and drips into the paint.

B) Cleaning the Filter Screen

1. The filter screen will clog and must be cleaned at least once a day.
2. Loosen the hex nut (fig. 14, item 1) that secures the filter screen to the siphon tube.
3. Remove the filter screen (2) from the bottom of the siphon tube.
4. Clean thoroughly with the appropriate solvent.



6.2 Maintaining the Filter Assembly

Clean the filter regularly. Dirty or clogged filters can greatly reduce filtering ability and cause a number of system problems including poor spray patterns, clogged spray tips, etc.

Cleaning (Fig. 15)

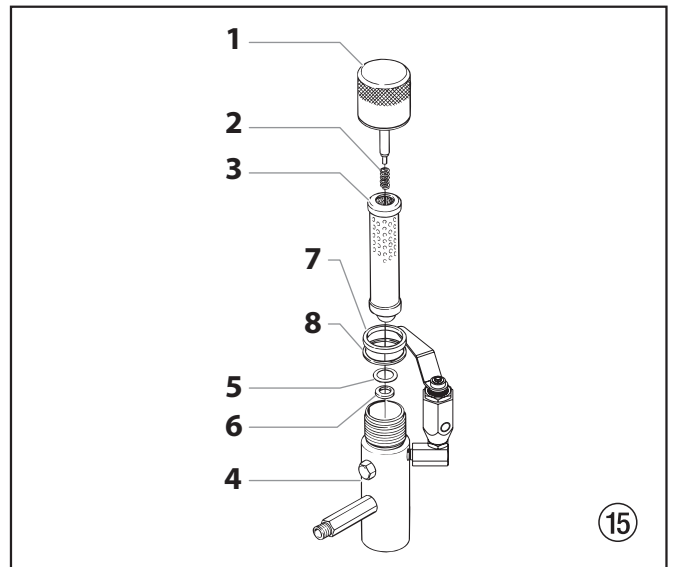
To clean the filter, perform the following procedure.

1. Follow the "Pressure Relief Procedure" found in the Operation section of this manual.
2. Remove the filter cap assembly (1) and spring (2).
3. Pull the filter element with ball straight (3) out of the filter body (4).
4. Clean inside the filter body, filter element with ball, and filter cap assembly using the appropriate solvent.



Use care in handling parts as dirt, debris, scratches, or nicks may prevent o-rings or gaskets from sealing.

This filter element filters from the inside out. Be sure to clean the filter element thoroughly on the inside. Soak in solvent to loosen hardened paint or replace.



Inspection (Fig. 15)

Inspect all parts of the filter assembly before reassembly.

1. Inspect the ball inside the filter element. If the ball has pressure cuts or scratches, replace the filter element.
 - a. If the ball is cut, remove the PTFE o-ring (5) using an o-ring pick and remove the carbide seat (6).
 - b. Check the seat for nicks or grooves. If the seat is damaged, replace.



Removal of the PTFE o-ring will damage the o-ring and require replacement.

2. Remove the spring (2) from the spring guide on the filter cap.
 - a. Measure the length of the spring uncompressed. If it measures less than 3/4" from end to end, replace.
 - b. Push the spring back onto the spring guide until it "snaps" back into position.
3. Inspect the two PTFE gaskets (7,8) and the PTFE o-ring (5) for deformity, nicks, or cuts. Replace, if needed.



The PTFE gaskets, PTFE o-ring, and spring are packaged in Filter Service Kit P/N 930-050.

Reassembly (Fig. 15)

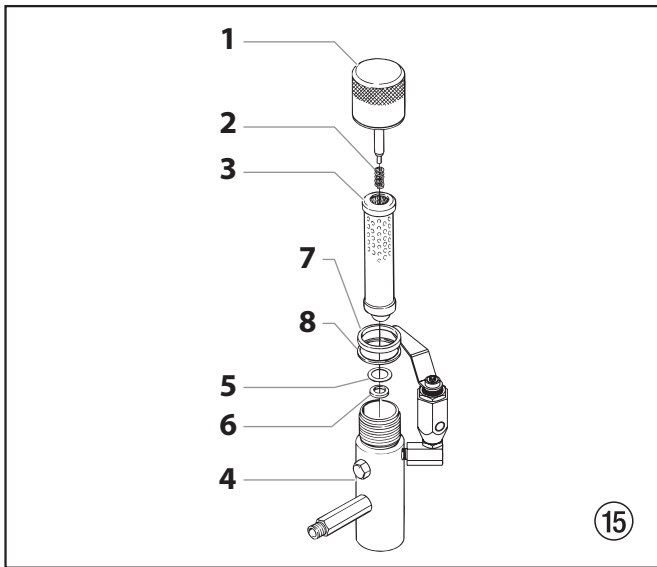
After cleaning and inspecting all parts, reassemble the filter.

1. Place the carbide seat (6) into the filter body (4). Make sure the beveled side of the seat is facing up.
2. Place the PTFE o-ring (5) into the groove on the outer diameter of the carbide seat (6).
3. Place the filter element with ball (3) into the filter body (4).



The top and bottom of the filter element with ball are identical.

4. Push the spring (2) back onto the spring guide of the filter cap (1) until it "snaps" back into position, if not already done.
5. Place the thin PTFE gasket (8) onto the step at the top of the filter body (4).
6. Place the thick PTFE gasket (7) onto the top of the thin gasket (8).
7. Tighten the filter cap assembly (1) onto the filter body (4).

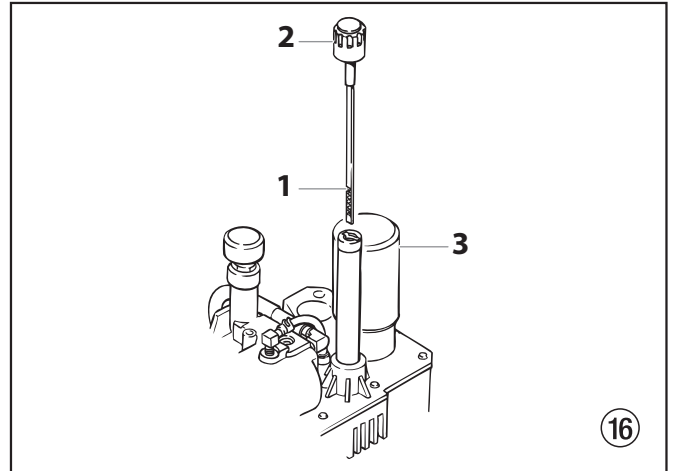


6.3 Maintaining the Hydraulic System



Use of Titan's Coolflo™ Hydraulic Fluid is mandatory in the PowrTwin Plus hydraulic system. Do not use any other hydraulic fluid. Use of any other hydraulic fluid may seriously damage the hydraulic system and will void the warranty.

1. Check the hydraulic fluid daily. It should be at the "Full" mark (fig. 16, item 1) on the dipstick (2). If it is low, add only Titan Coolflo™ Hydraulic Fluid (P/N 430-361). Never add or change hydraulic fluid except in a clean, dust-free area. Contamination of the hydraulic fluid will shorten hydraulic pump life and may void warranty.



2. Change the hydraulic fluid every twelve months. Drain the old fluid from the tank and fill with 6.25 quarts of hydraulic fluid. Start the sprayer at just enough pressure to operate the fluid section. Run the sprayer at this low pressure for at least 5 minutes. This removes air from the system. Check the fluid level after this procedure. Do not over-fill.



When replacing the hydraulic filter (3) during a fluid change, it may be necessary to add up to one additional quart of hydraulic fluid.

3. The hydraulic system has an external, replaceable hydraulic filter. Change the filter every twelve months.
4. The hydraulic pump should not be serviced in the field. If service on the hydraulic pump is required, it must be returned to Titan.

6.4 Maintaining the Fluid Section

If the sprayer is going to be out of service for an extended period of time, it is recommended that following cleanup, a kerosene and oil mixture be introduced as a preservative. Packings may tend to dry out from lack of use. This is particularly true of the upper packing set for which upper packing lubricant Piston Lube (P/N 314-480) is recommended in normal usage.

If the sprayer has been out of service for an extended period of time, it may be necessary to prime the pump with solvent. It is extremely important that the threads on the siphon hose coupling are properly sealed. Any air leakage will produce erratic operation of the sprayer and may damage the system. The up and the down strokes should be approximately equal in time (one should not be faster than the other). A fast up or down stroke may indicate air in the system or malfunctioning valve or seats (see the Troubleshooting section).

6.5 Basic Engine Maintenance (gas engine)

- For detailed engine maintenance and technical specifications refer to the separate gasoline engine manual.
- All service to the engine should be performed by a dealer authorized by the engine manufacturer.
- Use a premium quality motor oil. 10W30 is recommended for general all temperature use. Other viscosities may be required in other climates.
- Use only a (NGK) BR-6HS (PT4900), or (NGK) BP6ES / BPR6E spark plug (PT6900/PT8900/PT12000). Gap the plug to 0.028 to 0.031 in. (0.7 to 0.8 mm) Always use a spark plug wrench.

Daily

1. Check engine oil level, and fill as necessary.
2. Check gasoline level, and fill as necessary.



Always follow the fueling procedure outlined earlier in this manual.

First 20 Hours

1. Change engine oil.

Every 100 Hours

1. Change engine oil.
2. Clean the sediment cup.
3. Clean and re-gap the spark plug.
4. Clean the spark arrestor.

Weekly

1. Remove the air filter cover and clean the element. In very dusty environments, check the filter daily. Replace the element as needed. Replacement elements can be purchased from your local engine manufacturer dealer.

Engine Operation and Service

1. Clean and oil air filter pad on gasoline engine every 25 hours or once weekly. Do not permit the air intake screen around the fly wheel of the gas engine to load up with paint or trash. Clean it regularly. The service life and efficiency of the gas engine model depends upon keeping the gasoline engine running properly. Change the oil in the engine every 100 hours. Failure to observe this may result in engine overheating. Consult the engine manufacturer's service manual provided.
2. To conserve fuel, service life, and efficiency of the sprayer, always operate the gasoline engine at the lowest RPM at which it runs smoothly without laboring and delivers the amount required for the particular painting operation. Higher RPM does not produce higher working pressure. The gasoline engine is connected to the hydraulic pump by a pulley combination designed to produce full paint delivery at maximum RPM.
3. The warranty on gasoline engines or electric motors is limited to the original manufacturer.

7. Troubleshooting

7.1 Airless Gun

Problem	Cause	Solution
A. Spitting gun	<ol style="list-style-type: none"> Air in system Dirty gun Needle assembly out of adjustment Broken or chipped seat 	<ol style="list-style-type: none"> Inspect connections for air leaks. Disassemble and clean. Inspect and adjust. Inspect and replace.
B. Gun will not shut off	<ol style="list-style-type: none"> Worn or broken needle & seat Needle assembly out of adjustment Dirty gun 	<ol style="list-style-type: none"> Replace. Adjust. Clean.
C. Gun does not spray	<ol style="list-style-type: none"> No paint Plugged filter or tip Broken needle in gun 	<ol style="list-style-type: none"> Check fluid supply. Clean. Replace.

7.2 Fluid Section

Problem	Cause	Solution
A. Pump delivers on upstroke only or goes up slowly and down fast (commonly called downstroke dive)	<ol style="list-style-type: none"> Lower foot valve ball is not seating due to trash or wear Material too viscous to siphon. Air leaking in on siphon side or damaged siphon hose. Siphon may be too small for heavy material. 	<ol style="list-style-type: none"> 1* Remove foot valve assembly. Clean and inspect. Test foot valve by filling with water; if ball fails to seal the seat, replace ball. Thin material — contact manufacturer for proper thinning procedures. Tighten all connections between pump and paint container. If damaged, replace. Switch to larger diameter siphon set.
B. Pump delivers on down stroke only or goes up fast and down slowly	<ol style="list-style-type: none"> Upper ball is not seating due to trash or wear Lower packing set is worn 	<ol style="list-style-type: none"> 1* Check upper seat and ball with water. If ball fails to seal, replace seat. 2* Replace packing set if worn.
C. Pump moves up and down fast, delivering material	<ol style="list-style-type: none"> Material container is empty or material is too thick to flow through siphon hose Bottom ball stuck to foot valve seat Siphon hose is kinked or loose 	<ol style="list-style-type: none"> 1. Refill with new material. If too thick, remove siphon hose, immerse fluid section in material, and start pump to prime. Add thinner to material. Change to bigger siphon set. Open bleed valve to remove air and restart pump. 2* Remove foot valve. Clean ball and seat. 3. Straighten.
D. Pump moves up and down slowly when spray gun is shut off	<ol style="list-style-type: none"> Loose connections. Bleed valve is open partially or bleed valve is worn. Lower packing seat is worn. Upper and/or lower ball not seating 	<ol style="list-style-type: none"> 1. Check all connections between pump and gun. Tighten as necessary. If material is flowing from bleed hose, close bleed valve or replace, if necessary. Should none of the above be evident, replace lower packing. 2* Reseat balls by cleaning.
E. Not enough fluid pressure at gun	<ol style="list-style-type: none"> Spray tip is worn Outlet filter or gun filter is clogged Low voltage and/or inadequate amperage Hose size or length is too small or too long 	<ol style="list-style-type: none"> 1. Replace. 2. Clean or replace filter. 3. Check electrical service. Correct as required. 4. Increase hose size to minimize pressure drop through hose and/or reduce hose length.
F. Pump chatters on up or down stroke	<ol style="list-style-type: none"> Solvent has caused upper packing to swell 	<ol style="list-style-type: none"> 1* Replace packing.

* Refer to the Service Manual (part number 2439109, available online) for complete instructions regarding this procedure.

7.3 Hydraulic Motors*

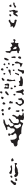
Problem	Cause	Solution
A. Oil motor stalls at bottom (no unusual heat problems)	<ol style="list-style-type: none"> 1. Fluid pump piston seat unthreaded 2. Valve sticking or oil motor trip rod shifter assembly separated 	<ol style="list-style-type: none"> 1. If connecting rod is okay, remove cylinder head plug and pop valve down. Replace plug and start machine. If machine cycles up and stops at bottom again, then problem is piston seat on fluid pump. Check piston seat. Repair or replace as necessary. If piston seat is okay and problem does not change, check oil motor. 2. Remove valve and check for scratches and rough movement when sliding it up and down. Replace valve and spool in this condition. Check trip rod for possible separation, and spool in this condition. Check trip rod for possible separation.
B. Oil motor stalls at top (no unusual heat problems)	<ol style="list-style-type: none"> 1. Valve sticking 2. Broken spring retainer (valve rod assembly) 3. Broken spring or valve rod 4. Air in hydraulic motor 5. Air in fluid pump 	<ol style="list-style-type: none"> 1. Remove valve and check for scratches and rough movement when sliding it up and down. Replace valve and spool in this condition. 2. Replace valve rod assembly. 3. Replace valve rod assembly. 4. Reset valve. Purge Air, generally accomplished by low pressure cycling of motor/pump assembly for 5–10 minutes. Check for causes of air introduction: <ul style="list-style-type: none"> • Loose fittings in tank. • Loose fittings on hydraulic pump. • Loose hose connections. • Low oil in reservoir. 5. Stall at top can occur randomly when fluid pump picks up air. Reset valve. Avoid air in the fluid pump.
C. Low pressure (okay on down stroke, sluggish on up.stroke — high heat)	<ol style="list-style-type: none"> 1. Blown piston seal 2. Cracked piston 	<ol style="list-style-type: none"> 1. Before dismantling oil motor, start machine. With pump cycling under pressure, touch the hydraulic cylinder and the head to see if cylinder or head gets hotter. This will help determine if piston seal is blown or piston nut is broken. If heat is on the head, check the o-rings on spool valve. 2. Dismantle oil motor and check piston seals cylinder bore and piston nut. Pay special attention to piston nut. It can be cracked and not show externally.
Note: Engine labors on upstroke, idles back at stall on the down stroke.		
D. Low pressure (both strokes - high heat)	<ol style="list-style-type: none"> 1. Blown center o-rings on spool valve 2. Bad hydraulic pump 	<ol style="list-style-type: none"> 1. Before dismantling oil motor, start machine. With pump cycling under pressure, touch the head to see if the head becomes hotter. This will help determine if center o-ring is blown on spool valve. If hot, remove and replace o-ring. 2. Replace hydraulic pump.
Note: Engine labors at stall on both strokes.		

* Refer to the Service Manual (part number 2439109, available online) for complete instructions regarding the procedures in this section.

7.4 Spray Patterns

Problem

A. Tails



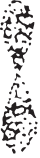
Cause

1. Inadequate fluid delivery

Solution

1. Fluid not atomizing correctly: Increase fluid pressure. Change to smaller tip orifice size. Reduce fluid viscosity. Reduce hose length. Clean gun and filter(s). Reduce number of guns using pump.

B. Hour glass



1. Inadequate fluid delivery

1. Same as above.

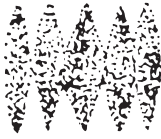
C. Distorted



1. Plugged or worn nozzle tip

1. Clean or replace nozzle tip.

D. Pattern expanding and contracting (surge)



1. Suction leak
2. Pulsating fluid delivery

1. Inspect for suction hose leak.
2. Change to a smaller tip orifice size. Install pulsation dampener in system or drain existing one. Reduce number of guns using pump. Remove restrictions in system; clean tip screen if filter is used.

E. Round pattern



1. Worn tip
2. Fluid too heavy for tip

1. Replace tip.
2. Increase pressure. Thin material. Change nozzle tip.

Warranty

Titan Tool, Inc. ("Titan") warrants that at the time of delivery to the original purchaser for use ("End User"), the equipment covered by this warranty is free from defects in material and workmanship. With the exception of any special, limited, or extended warranty published by Titan, Titan's obligation under this warranty is limited to replacing or repairing without charge those parts which, to Titan's reasonable satisfaction, are shown to be defective within twelve (12) months after sale to the End User. This warranty applies only when the unit is installed and operated in accordance with the recommendations and instructions of Titan.

This warranty does not apply in the case of damage or wear caused by abrasion, corrosion or misuse, negligence, accident, faulty installation, substitution of non-Titan component parts, or tampering with the unit in a manner to impair normal operation.

Defective parts are to be returned to an authorized Titan sales/service outlet. All transportation charges, including return to the factory, if necessary, are to be borne and prepaid by the End User. Repaired or replaced equipment will be returned to the End User transportation prepaid.

THERE IS NO OTHER EXPRESS WARRANTY. TITAN HEREBY DISCLAIMS ANY AND ALL IMPLIED WARRANTIES INCLUDING, BUT NOT LIMITED TO, THOSE OF MERCHANTABILITY AND FITNESS FOR A PARTICULAR PURPOSE, TO THE EXTENT PERMITTED BY LAW. THE DURATION OF ANY IMPLIED WARRANTIES WHICH CANNOT BE DISCLAIMED IS LIMITED TO THE TIME PERIOD SPECIFIED IN THE EXPRESS WARRANTY. IN NO CASE SHALL TITAN LIABILITY EXCEED THE AMOUNT OF THE PURCHASE PRICE. LIABILITY FOR CONSEQUENTIAL, INCIDENTAL OR SPECIAL DAMAGES UNDER ANY AND ALL WARRANTIES IS EXCLUDED TO THE EXTENT PERMITTED BY LAW.

TITAN MAKES NO WARRANTY AND DISCLAIMS ALL IMPLIED WARRANTIES OF MERCHANTABILITY AND FITNESS FOR A PARTICULAR PURPOSE WITH RESPECT TO ACCESSORIES, EQUIPMENT, MATERIALS OR COMPONENTS SOLD BUT NOT MANUFACTURED BY TITAN. THOSE ITEMS SOLD, BUT NOT MANUFACTURED BY TITAN (SUCH AS GAS ENGINES, SWITCHES, HOSES, ETC.) ARE SUBJECT TO THE WARRANTY, IF ANY, OF THEIR MANUFACTURER. TITAN WILL PROVIDE THE PURCHASER WITH REASONABLE ASSISTANCE IN MAKING ANY CLAIM FOR BREACH OF THESE WARRANTIES.



Note on disposal:

In observance of the European Directive 2012/19/ EU on waste electrical and electronic equipment and implementation in accordance with national law, this product is not to be disposed of together with household waste material but must be recycled in an environmentally friendly way!



Titan or one of our dealers will take back your used Titan waste electrical or electronic equipment and will dispose of it for you in an environmentally friendly way. Please ask your local Titan service centre or dealer for details or contact us direct.

We declare under sole responsibility that this product conforms to the following relevant stipulations:

2006/42/EC

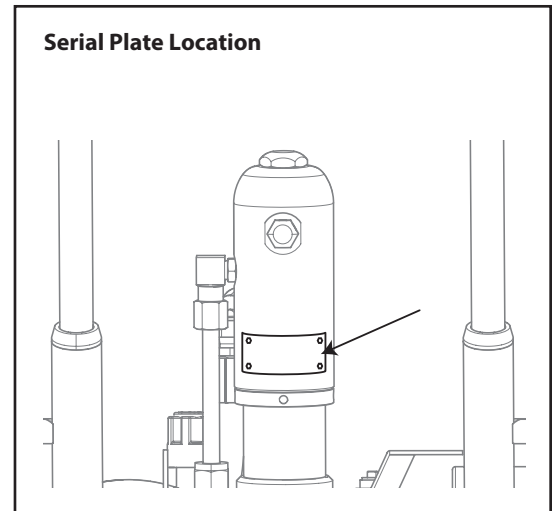
Applied harmonised norms:

EN ISO 12100:2012, EN 1953:2013

The EU declaration of conformity is enclosed with the product.

If required, it can be re-ordered using order number **2338028**.

Serial Plate Location



Warnung!

**Achtung: Verletzungsgefahr durch Injektion!
Airless-Geräte entwickeln extrem hohe Spritzdrücke.**



1

Niemals Finger, Hände oder andere Körperteile mit dem Spritzstrahl in Berührung bringen!

Nie die Spritzpistole auf sich, Personen und Tiere richten.

Nie die Spritzpistole ohne Spritzstrahl-Berührungsschutz benutzen.

Behandeln Sie eine Spritzverletzung nicht als harmlose Schnittverletzung. Bei einer Hautverletzung durch Beschichtungsstoff oder Lösemittel sofort einen Arzt aufsuchen zur schnellen, fachkundigen Behandlung. Informieren Sie den Arzt über den verwendeten Beschichtungsstoff oder das Lösemittel.

2

Vor jeder Inbetriebnahme sind gemäß Betriebsanleitung folgende Punkte zu beachten:

1. Fehlerhafte Geräte dürfen nicht benutzt werden.
2. Titan-Spritzpistole sichern mit Sicherungshebel am Abzugsbügel.
3. Erdung sicherstellen.
4. Zulässigen Betriebsdruck von Hochdruckschlauch und Spritzpistole überprüfen.
5. Alle Verbindungsteile auf Dichtheit prüfen.

3

Anweisungen zur regelmäßigen Reinigung und Wartung des Gerätes sind streng einzuhalten.

Vor allen Arbeiten am Gerät und bei jeder Arbeitspause folgende Regeln beachten:

1. Spritzpistole und Hochdruckschlauch druckentlasten.
2. Titan-Spritzpistole sichern mit Sicherungshebel am Abzugsbügel.
3. Gerät ausschalten.

Achte auf Sicherheit!

Inhalt

	Seite
1. Sicherheitsvorschriften für das Airless-Spritzen	23
1.1 Erklärung der verwendeten Symbole.....	23
1.2 Elektrische Sicherheit.....	24
1.3 Benzinmotoren-Betriebssicherheit.....	25
1.4 Betanken (Benzinmotor).....	26
1.5 Aufstellung in unebenem Gelände.....	26
2. Anwendungsübersicht	27
2.1 Einsatzgebiete.....	27
2.2 Beschichtungsstoffe.....	27
3. Gerätebeschreibung	27
3.1 Airless-Verfahren.....	27
3.2 Funktion des Gerätes.....	27
3.3 Erklärungsbild PT-Geräte mit Benzinmotor.....	28
3.4 Erklärungsbild PT-Geräte mit Elektromotor.....	29
3.5 Technische Daten PT-Geräte.....	30
3.6 Empfehlungstabelle für Airless Spritzdüse.....	31
3.7 Liste der Bedienungsanleitungen.....	31
4. Bedienung	32
4.1 Einrichtung.....	32
4.2 Vorbereitung eines neuen Spritzgeräts.....	33
4.3 Vorbereitung der Farbe.....	34
4.4 Farbgebung.....	35
4.5 Vorgehensweise bei Druckentlastung.....	35
5. Reinigung	36
5.1 Besondere Reinigungshinweise bei Verwendung entflammbarer Lösungsmittel.....	36
5.2 Reinigung des Spritzgeräts.....	36
5.3 Eine verstopfte Düse reinigen.....	36
6. Unterhalt	37
6.1 Tägliche Wartung.....	37
6.2 Unterhalt des Filteraufbaus.....	37
6.3 Unterhalt des hydraulischen Systems.....	38
6.4 Unterhalt des Flüssigkeitsbereichs.....	38
6.5 Einfacher Unterhalt des Motors (Benzinmotor).....	39
7. Fehlerbehebung	40
7.1 Airless-Spritzpistole.....	40
7.2 Flüssigkeitsbereich.....	40
7.3 Hydraulikmotor.....	41
7.4 Spritzmuster.....	42
Garantie	43
Zubehör für PT-Geräte	106
Pistolenmehrfachanschluss (Optional).....	108/109

1. Sicherheitsvorschriften für das Airless-Spritzen

1.1 Erklärung der verwendeten Symbole

Diese Bedienanleitung enthält Informationen, die der Benutzer vor Verwendung des Geräts gründlich durcharbeiten muss. In Bereichen, die mit den folgenden Symbolen gekennzeichnet sind, besonders vorsichtig arbeiten und alle Sicherheitshinweise beachten.

	Dieses Symbol verweist auf eine potenzielle Gefahr, die zum Tode oder zu schweren Verletzungen führen kann. Hier finden Sie wichtige Sicherheitsinformationen.
	Dieses Symbol weist auf eine potenzielle Gefahr für Sie bzw. das Gerät hin. Unter diesem Symbol finden Sie wichtige Informationen, wie Sie Schäden an dem Gerät und Verletzungsgefahr vermeiden.
	Injektionsgefahr
	Brandgefahr durch Lösemittel und Farbdämpfe
	Explosionsgefahr durch Lösemittel, Farbdämpfe und ungeeignete Materialien
	Verletzungsgefahr durch das Einatmen von schädlichen Dämpfen
	Hinweise enthalten wichtige Informationen, die beachtet werden sollten.



GEFAHR: Verletzung durch Flüssigkeiten unter Druck

Eine unter hohem Druck stehende Flüssigkeit, wie sie von diesem Gerät erzeugt wird, kann die Haut durchdringen und in das darunter liegende Bindegewebe eindringen und so zu schweren Verletzungen und selbst zur Amputation führen. **Behandeln Sie eine Spritzverletzung nicht als harmlose Schnittverletzung. Bei einer Hautverletzung durch Beschichtungsstoff oder Lösemittel sofort einen Arzt aufsuchen zur schnellen, fachkundigen Behandlung. Informieren Sie den Arzt über den verwendeten Beschichtungsstoff oder das Lösemittel.**

VORSICHTSMASSNAHMEN:

- NIEMALS die Spritzpistole auf Körperteile halten.
- NIEMALS mit Körperteilen den Flüssigkeitsstrahl berühren. NIEMALS mit dem Körper eine Leckstelle im Druckschlauch berühren.
- NIEMALS die Hand vor die Düse der Spritzpistole halten. Handschuhe stellen keinen sicheren Schutz vor Verletzungen durch injizierte Flüssigkeiten dar.
- STETS den Auslöser der Spritzpistole verriegeln, die Pumpe ausschalten und den Druck vollständig entspannen, bevor Wartungs- und Reinigungsarbeiten, Durchsichten, Düsenwechsel oder ähnliche Arbeiten durchgeführt werden oder das Gerät unbeaufsichtigt gelassen wird. Auch nach dem Ausschalten des Motors steht das Gerät noch unter Druck. Das Ventil PRIME/SPRAY (Vorfüll-/Sprühventil) bzw.

Sicherheitsvorschriften

- das Druckentlastungsventil müssen in ihren Sollpositionen stehen, um den Systemdruck zu entspannen.
- STETS den Düsenschutz aufsetzen, wenn Spritzarbeiten durchgeführt werden. Der Düsenschutz stellt einen gewissen Schutz dar, ist aber vor allem als Warnvorrichtung gedacht.
- STETS die Spritzdüse entfernen, bevor das System gereinigt oder gespült wird.
- NIEMALS eine Spritzpistole ohne funktionsfähige Auslöserverriegelung und ohne Auslöserbügel verwenden.
- Das gesamte Zubehör muss mindestens für den maximalen Betriebsdruckbereich des Spritzgeräts zugelassen sein. Dazu gehören Spritzdüsen, Spritzpistolen, Verlängerungen und Schlauch.

**GEFAHR: Hochdruckschlauch**

Durch Verschleiß, Knicken und nicht zweckentsprechende Verwendung können sich Leckstellen im Farbschlauch bilden. Durch eine Leckstelle kann Flüssigkeit in die Haut injiziert werden. Vor Verwendung den Schlauch gründlich prüfen.

VORSICHTSMASSNAHMEN:

- Scharfes Biegen oder Knicken des Hochdruckschlauches vermeiden, kleinster Biegeradius etwa 20 cm.
- Hochdruckschlauch nicht überfahren, sowie vor scharfen Gegenständen und Kanten schützen.
- Beschädigten Hochdruckschlauch sofort ersetzen.
- Niemals defekten Hochdruckschlauch selbst reparieren!
- Elektrostatische Aufladung von Spritzpistole und Hochdruckschlauch wird über den Hochdruckschlauch abgeleitet. Deshalb muss der elektrische Widerstand zwischen den Anschlüssen des Hochdruckschlauchs gleich oder kleiner ein Megaohm betragen.
- Aus Gründen der Funktion, Sicherheit und Lebensdauer, nur Titan-Original-Ersatzhochdruckschläuche verwenden.
- Vor jedem Einsatz alle Schläuche auf Einschnitte, Leckstellen, Scheuerstellen oder gewölbte Oberflächen kontrollieren. Die Kupplungen auf Unversehrtheit und festen Sitz kontrollieren. Schläuche unverzüglich ersetzen, wenn einer der oben genannten Fehler festgestellt wird. Einen Farbschlauch niemals reparieren. Einen defekten Schlauch durch einen geerdeten Hochdruckschlauch ersetzen.
- Achten Sie darauf, Spritzschläuche so zu verlegen, dass die Rutsch-, Stolper-, und Umfallgefahr minimiert wird.

**GEFAHR: Explosions- und Brandgefahr**

Brennbare Dämpfe, wie z. B. Dämpfe von Lösungsmitteln und Farben können sich in den Arbeitsbereichen entzünden oder explodieren.

VORSICHTSMASSNAHMEN:

- Verwenden Sie das Gerät ausschließlich in gut belüfteten Bereichen. Achten Sie auf ausreichende Frischluftzufuhr im gesamten Bereich, damit sich keine brennbaren Dämpfe in der Luft im Spritzbereich ansammeln können. Bewahren Sie die Pumpenbaugruppe in einem gut belüfteten Bereich auf. Besprühen Sie nicht die Pumpenbaugruppe.
- Nur elektronische Modelle - Verwenden Sie keine Materialien mit einem Flammpunkt unter 38°C (100°F). Der Flammpunkt ist die Temperatur, bei der eine Flüssigkeit ausreichend Dämpfe entwickeln kann, dass sich diese entzünden.
- Nur Modelle mit Benzin - Befüllen Sie den Treibstofftank nicht, wenn der Motor läuft oder heiß ist; schalten Sie den Motor ab und lassen diesen abkühlen. Der Treibstoff ist brennbar und kann sich entzünden bzw. explodieren, wenn dieser mit einer heißen Oberfläche in Berührung kommt.

- Beseitigen Sie alle Zündquellen, wie z. B. Zündflammen, Zigaretten, tragbare elektrische Lampen und Plastikabdeckplanen (potenzieller elektrostatischer Lichtbogen).
- Halten Sie die Arbeitsbereiche frei von Verunreinigungen, einschließlich Lösungsmittel, Lappen und Benzin.
- Schließen Sie die Elektrozuleitungen nicht bzw. trennen diese nicht ab bzw. schalten Sie die Netzschalter bzw. Lichtschalter nicht ein bzw. aus, wenn sich brennbare Dämpfe entwickelt haben.
- Schutzleiter und leitfähige Gegenstände im Arbeitsbereich. Achten Sie darauf, dass die Erdleitung (in der Lieferung nicht enthalten) von der Erdungsklemme mit einem wirksamen Erdungsanschluss verbunden ist.
- Verwenden Sie ausschließlich geerdete Schläuche.
- Halten Sie die Spritzpistole fest an die Seite eines geerdeten Eimers, wenn Sie in den Eimer spritzen.
- Kommt es durch statische Aufladung zu Funkenbildung bzw. wenn Sie einen Stromschlag verspüren, brechen Sie den Vorgang umgehend ab.
- Sie müssen die Zusammensetzung der Farben und Lösungsmittel, die Sie spritzen möchten, kennen. Lesen Sie alle Material Sicherheitsdatenblätter (MSDS) und Behälterbeschriftungen von Farben und Lösungsmitteln durch. Befolgen Sie die Sicherheitsanweisungen des Farben- und Lösungsmittelherstellers.
- Verwenden Sie keine Farben bzw. Lösungsmittel, die Halogenkohlenwasserstoffe enthalten, wie z. B. Chlor, Bleiche, Antischimmelmittel, Methylenchlorid und Trichlorethan. Sie sind nicht kompatibel mit Aluminium. Setzen Sie sich mit dem Lieferanten der Beschichtung hinsichtlich der Kompatibilität des Materials mit Aluminium in Verbindung.
- Halten Sie im Arbeitsbereich einen Feuerlöscher bereit.

**GEFAHR: Gefährliche Dämpfe**

Farben, Lösungsmittel und andere Materialien können beim Einatmen oder beim Kontakt mit dem Körper gesundheitsschädlich sein. Die Dämpfe können schwere Übelkeit, Ohnmacht und Vergiftungen verursachen.

VORSICHTSMASSNAHMEN :

- Bei Spritzarbeiten Atemschutz tragen. Alle mit der Gesichtsmaske mitgelieferten Anleitungen durcharbeiten, damit die Gesichtsmaske auch den gewünschten Schutz bietet.
- Dem Benutzer ist eine Atemschutzmaske zur Verfügung zu stellen (Berufs-Genossenschaftliche Regeln „Regeln für den Einsatz von Atemschutzgeräten“ (BGR 190).
- Arbeitsschutzbrille tragen.
- Zum Schutz der Haut sind Schutzkleidung, Handschuhe und eventuell Hautschutzcreme erforderlich (BGR 197 "Benutzung von Hautschutz"). Vorschriften der Hersteller beachten zu den Beschichtungsstoffen, Lösemittel und Reinigungsmittel bei Aufbereitung, Verarbeitung und Gerätereinigung.

**GEFAHR: Allgemeines**

Kann schwere Personen- oder Sachschäden verursachen.

VORSICHTSMASSNAHMEN :

- Alle lokalen sowie im Land bzw. Bundesland geltenden Vorschriften zum Brandschutz, zur Bedienung und Lüftung einhalten.
- Bei Betätigung des Auslösers zieht die Spritzpistole zur Seite. Diese Kraftwirkung der Spritzpistole ist besonders stark, wenn die Düse entfernt und bei der Pumpe hoher Druck eingestellt wurde. Bei der Reinigung mit abgeschraubter Düse daher den Druckreglerknopf auf den niedrigsten Druck einstellen.

- Nur vom Hersteller zugelassene Teile verwenden. Bei Verwendung von Teilen, die nicht die technischen Mindestanforderungen erfüllen, trägt der Benutzer alle Risiken und die gesamte Haftung. Dies gilt auch für die Sicherheitsvorrichtungen der Pumpe.
- IMMER die Hinweise des Herstellers zum sicheren Umgang mit Farben und Lösungsmitteln einhalten.
- Verschüttete Materialien und Lösemitteln sofort aufwischen, um Rutschgefahr zu vermeiden.
- Gehörschutz tragen. Dieses Gerät kann einen Schalldruck über 85 dB(A) erzeugen.
- Das Gerät niemals unbeaufsichtigt lassen. Kinder oder andere Personen, die mit dem Betrieb des druckluftlosen Spritzgeräts nicht vertraut sind, von dem Gerät fern halten.
- An windigen Tagen nicht im Freien spritzen.
- Das Gerät inklusive aller Flüssigkeiten (z.B. Hydrauliköl) müssen umweltgerecht entsorgt werden.

1.2 Elektrische Sicherheit

Elektrogeräte müssen geerdet werden. Bei einem elektrischen Kurzschluss reduziert die Erdung die Gefahr eines elektrischen Schlags, da der Fehlerstrom über den Schutzleiter abgeführt wird. Dieses Gerät ist mit einem Netzkabel versehen, das einen Schutzkontaktstecker besitzt. Anschluss an das Stromnetz nur über einen besonderen Speisepunkt z. B. über eine Fehlerstromschutzeinrichtung mit $INF \leq 30$ mA.



GEFAHR — Arbeiten oder Reparaturen an der elektrischen Ausrüstung nur von einer Elektrofachkraft durchführen lassen. Für unsachgemäße Installation wird keine Haftung übernommen. Gerät ausschalten. Vor allen Reparaturen – Netzstecker aus der Steckdose ziehen.

Gerätereinigung: Kurzschlussgefahr durch eindringendes Wasser in die elektrische Ausrüstung. Gerät niemals mit Hochdruck- oder Dampfhochdruckreiniger abspritzen.

Arbeiten oder Reparaturen an der elektrischen Ausrüstung:

Diese nur von einer Elektrofachkraft durchführen lassen. Für unsachgemäße Installation wird keine Haftung übernommen.

Betriebstemperatur

Dieses Gerät funktioniert einwandfrei in seiner für ihn vorgesehen Raumtemperatur zwischen $+10^{\circ}\text{C}$ und $+40^{\circ}\text{C}$.

Relative Feuchtigkeit

Das Gerät funktioniert in einem Umfeld mit einer relativen Feuchtigkeit von 50%, bei $+40^{\circ}\text{C}$ einwandfrei. Eine höhere relative Feuchtigkeit stellt bei niedrigeren Temperaturen kein Problem dar.

Der Käufer des Geräts muss Maßnahmen ergreifen, um die schädigenden Auswirkungen der gelegentlichen Kondensation zu vermeiden.

Höhe

Dieses Gerät funktioniert in einer Höhe von bis zu 2100m über n.n. einwandfrei.

Transport und Aufbewahrung

Dieses Gerät hält Transport- bzw. Aufbewahrungstemperaturen von -25°C bis $+55^{\circ}\text{C}$, kurzzeitig auch bis zu $+70^{\circ}\text{C}$, stand bzw. ist dagegen geschützt.

Es wurde so verpackt, dass es Beschädigungen durch die Auswirkungen von normaler Feuchtigkeit, Erschütterungen und Stößen standhält.

1.3 Benzinmotoren-Betriebsicherheit

1. Benzinmotoren sind so gebaut, dass sie sicher und verlässlich funktionieren, wenn sie gemäß der Instruktionen bedient werden. Vor der Bedienung des Motos muss das Besitzerhandbuch des Herstellers gelesen und verstanden werden. Bei Unterlassung kann Personenverletzung oder Materialschaden entstehen.
2. Um Feuergefahr zu vermeiden und genügend Ventilation zu erlauben, muss der Motor mindestens 1 Meter von Gebäuden und anderen Maschinen entfernt sein wenn er in Betrieb ist. Keine brennbaren Gegenstände in der Nähe des Motors aufbewahren.
3. Personen, die das Gerät nicht bedienen, dürfen den Betriebsbereich nicht betreten, da die Möglichkeit besteht Verbrennungen von heißen Motorenteilen oder Verletzungen durch Geräte, die zur Bedienung des Motors benutzt werden, zu erleiden.
4. Seien Sie vertraut damit, wie Sie den Motor schnell abstellen können und wissen Sie Bescheid über alle Bedienungselemente und deren Handhabung. Erlauben Sie niemandem, den Motor ohne sachgerechte Anleitung zu bedienen.
5. Benzin ist äusserst flammbar und unter bestimmten Bedingungen explosiv.
6. Tanken Sie Benzin nur in einem gut durchlüfteten Bereich nach, nachdem der Motor abgestellt wurde. Rauchen Sie nicht und erlauben Sie keine Flammen oder Funken im Bereich in welchem aufgetankt wird oder Benzin aufbewahrt wird.
7. Ueberfüllen Sie den Benzintank nicht. Nach dem Auftanken, vergewissern Sie sich, dass die Tankverschlusskappe richtig und sicher aufgeschraubt ist.
8. Seien Sie darauf bedacht, beim Auftanken kein Benzin zu verschütten. Benzindämpfe oder verschüttetes Benzin könnte sich entflammen. Falls Benzin verschüttet wurde, vergewissern Sie sich, dass der Bereich trocken ist, bevor Sie den Motor starten.
9. Lassen Sie den Motor nie in einem geschlossenen oder engen Bereich laufen. Abgase enthalten giftige Kohlenmonoxidgase; diesen ausgesetzt läuft man Gefahr das Bewusstsein zu verlieren und es kann soogar zu Tod führen.
10. Der Auspuff wird während des Laufen des Motors sehr heiss und bleibt nach abstellen des Motors noch für eine Weile heiss. Seien Sie darauf Bedacht, den Auspuff nicht zu berühren, solange er noch heiss ist. Um schwere Verbrennungen oder Feuergefahr zu vermeiden, lassen Sie den Motor abkühlen, bevor Sie ihn transportieren oder in einem Innenraum aufbewahren.
11. Verschiffen oder transportieren Sie die Sprühanlage niemals mit Benzin im Tank.



Benutzen Sie diese Anlage NICHT um Wasser oder Säuren zu spritzen.



Achtung

Beim Auf- oder Abladen, nicht an der Deichsel halten.

Gerät ist sehr schwer. Muss von drei Personen getragen werden.

1.4 Betanken (Benzinmotor)



Benzin ist äußerst entflammbar und unter bestimmten Bedingungen sogar explosiv.



Achtung

Überfüllen Sie nicht den Benzintank. Durch Überfüllen kann die Kappe des Benzintanks durch Partikel im Benzin verstopfen, wodurch ein Vakuum verursacht werden kann. Die Anweisungen zum Befüllen mit Kraftstoff entnehmen Sie der Bedienungsanleitung des Motors.

Technische Angaben zum Treibstoff

- Verwenden Sie Benzin mit einer Mindest-Oktanzahl von 86 oder mit einer Mindest-Research-Oktanzahl von 91. Die Verwendung eines Treibstoffes mit einer geringeren Oktanzahl kann zu ständigem "Motorklopfen" oder starkem "Klopfen" (ein metallisches klopfendes Geräusch) führen, das zu einem Motorschaden führen kann, wenn dieser zu stark ist.



Wechseln Sie die Treibstoffmarke, wenn das "Klopfen" oder "Motorklopfen" bei einer stetigen Motorgeschwindigkeit unter normaler Belastung auftritt. Bleibt das Klopfen bzw. Motorklopfen, setzen Sie sich mit einem autorisierten Händler des Motorherstellers in Verbindung. Bei Nichteinhaltung gilt dies als Fehlgebrauch und Schäden durch Fehlgebrauch sind nicht durch die Herstellergarantie gedeckt.

Gelegentlich entsteht ein leichtes Klopfen, wenn das Gerät stark belastet wird. Das ist kein Grund zur Beunruhigung. Dies bedeutet nur, dass der Motor effizient funktioniert.

- Bleifreier Treibstoff verursacht weniger Ablagerungen im Motor und in den Zündkerzen und verlängert die Lebensdauer der Komponenten des Abgassystems.
- Verwenden Sie niemals abgestandenes oder verschmutztes Benzin und/oder ein Öl-/Benzingemisch. Vermeiden Sie, dass Schmutz, Staub oder Wasser in den Treibstofftank gelangen.

Kraftstoff aus Benzin-Alkohol-Gemisch

Wenn Sie sich für einen Kraftstoff aus einem Benzin-Alkohol-Gemisch (Gasohol) entscheiden, müssen Sie darauf achten, dass dessen Oktanzahl mindestens so hoch ist, wie diese vom Motorenhersteller empfohlen wird. Es gibt zwei Arten von Benzin-Alkohol-Gemisch: die eine enthält Ethanol und die andere Methanol. Verwenden Sie kein Gasohol, das mehr als 10 % Ethanol enthält. Verwenden Sie kein Benzin-Methanol-Gemisch (Methyl oder Holzalkohol), das keine Zusatzlösungsmittel und Korrosionshemmstoffe für Methanol enthält. Verwenden Sie niemals Benzin, das mehr als 5 % Methanol enthält, auch dann nicht, wenn es Zusatzlösungsmittel und Korrosionshemmstoffe enthält.

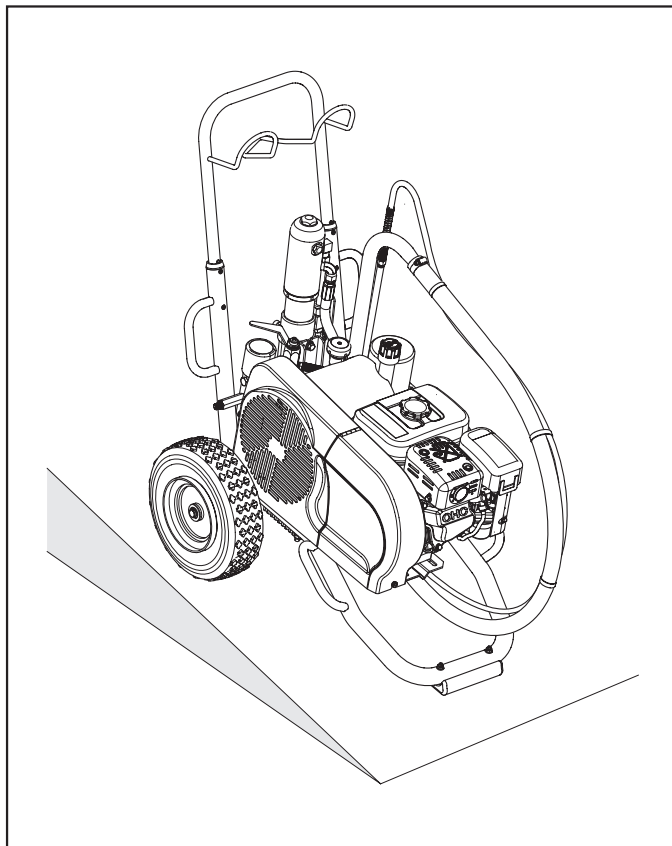


Eine Beschädigung des Treibstoffsystems bzw. Probleme mit der Motorenleistung, die aus der Verwendung von Treibstoff resultieren, der Alkohol enthält, werden von der Gewährleistung nicht gedeckt. Der Motorenhersteller kann nicht die Verwendung von Treibstoffen befürworten, die Methanol enthalten, das es noch nicht als erwiesen gilt, dass sich diese hierfür eignen.

Versuchen Sie herauszufinden, ob das Benzin Alkohol enthält, bevor Sie Benzin von einer Ihnen unbekanntem Tankstelle beschaffen. Falls dieses Alkohol enthält, überprüfen Sie die Art und den Anteil des verwendeten Alkohols. Stellen Sie bei der Verwendung von alkoholhaltigem Benzin bzw. von dem Sie annehmen, dass es Alkohol enthält, unerwünschtes Betriebsverhalten fest, stellen Sie auf ein Benzin um, von dem Sie wissen, dass es kein Alkohol enthält.

1.5 Aufstellung in unebenem Gelände

Die Vorderseite des Geräts muss nach unten zeigen, um Wegrutschen zu vermeiden.



2. Anwendungsübersicht

2.1 Einsatzgebiete

Grundierung und Schlussbeschichtung von Großflächen, Versiegelung, Imprägnierung, Bausanierung, Fassadenschutz und Fassadenrenovierung, Rostschutz und Bautenschutz, Dachbeschichtung, Dachabdichtung, Betonsanierung, sowie schwerer Korrosionsschutz.

Spritzobjekt-Beispiele

Großbaustellen, Kühltürme, Brücken, Kläranlagen und Flachdächer.

2.2 Beschichtungsstoffe

Verarbeitbare Beschichtungsstoffe



Achten Sie auf Airless-Qualität bei den zu verarbeitenden Beschichtungsstoffen.

Latexfarben, Dispersionsfarben, Flammschutz- und Dickschichtmaterialien, Zinkstaub- und Eisenglimmerfarben, Airless-Spritzspachtel, spritzbare Kleber, Korrosionsschutz, Dickschichtmaterialien und bitumenähnliche Beschichtungsstoffe.

Die Verarbeitung anderer Beschichtungsstoffe ist nur mit Zustimmung der Firma Titan zulässig.

Filterung

Trotz Hochdruckfilter ist eine Filterung des Beschichtungsstoffes im allgemeinen zu empfehlen (außer bei Spritzspachtel).

Beschichtungsstoff vor Arbeitsbeginn gut umrühren.



Achtung: Beim Aufrühren mit motorgetriebenen Rührwerken darauf achten, dass keine Luftblasen eingerührt werden. Luftblasen stören beim Spritzen, können sogar zur Betriebsunterbrechung führen.

Viskosität

Mit den Geräten ist es möglich, hochviskose Beschichtungsstoffe zu verarbeiten.

Lassen sich hochviskose Beschichtungsstoffe nicht ansaugen, so ist nach Herstellerangabe zu verdünnen.

Zweikomponenten-Beschichtungsstoff

Die entsprechende Verarbeitungszeit ist genau einzuhalten. Innerhalb dieser Zeit das Gerät sorgfältig mit dem entsprechenden Reinigungsmittel durchspülen und reinigen.

Beschichtungsstoffe mit scharfkantigen Zusatzstoffen

Diese üben auf Ventile, Hochdruckschlauch, Spritzpistole und Düse eine stark verschleißende Wirkung aus. Die Lebensdauer dieser Teile kann sich dadurch erheblich verkürzen.

3. Gerätebeschreibung

3.1 Airless Verfahren

Hauptanwendungsgebiete sind dicke Schichten von höherviskosem Beschichtungsstoff bei großen Flächen und hohem Materialeinsatz.

Eine Kolbenpumpe saugt den Beschichtungsstoff an und fördert ihn unter Druck zur Düse. Bei einem Druck bis max. 228-248 bar (22,8-24,8 MPa) durch die Düse gepresst, zerstäubt der Beschichtungsstoff. Dieser hohe Druck bewirkt eine mikrofeine Zerstäubung des Beschichtungsstoffes.

Da in diesem System keine Luft verwendet wird, bezeichnet man dieses Verfahren als AIRLESS-Verfahren (luftlos).

Diese Art zu spritzen bringt die Vorteile von feinsten Zerstäubung, nebelarmer Betriebsweise und glatter, blasenfreier Oberfläche. Neben diesen Vorteilen sind die Arbeitsgeschwindigkeit und die große Handlichkeit zu nennen.

3.2 Funktion des Gerätes

Zum besseren Verständnis der Funktion kurz den technischen Aufbau.

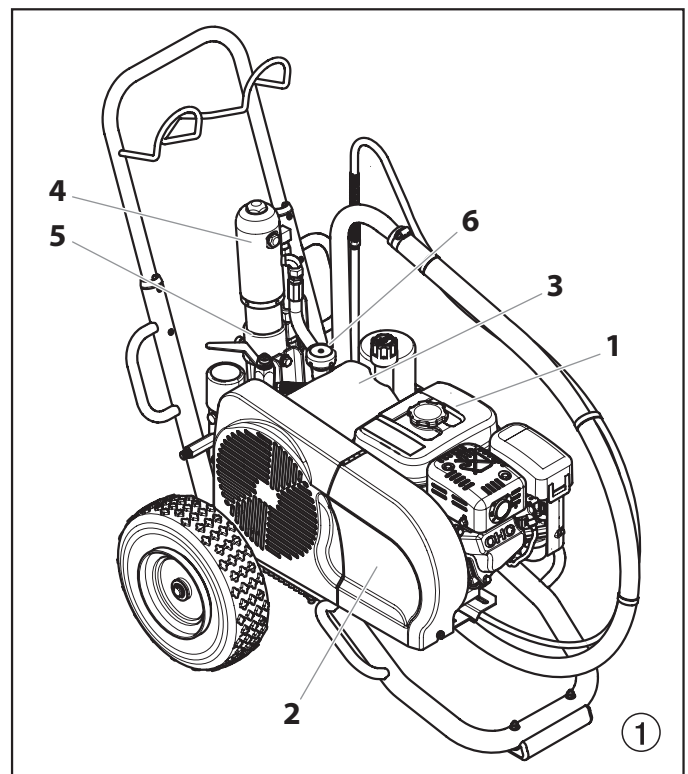
TITAN PowrTwin Plus (PT) sind mit Benzinmotor oder Elektromotor angetriebene Hochdruckspritzgeräte.

Der Benzinmotor oder Elektromotor (Abb. 1, Pos. 1) treibt über den Keilriemen unter der Riemenabdeckung (2) die Hydraulikpumpe (3) an. Hydrauliköl fließt zum Speeflo® HydraDrive™ Hydraulikmotor (4) und bewegt dann den Kolben in der Materialförderpumpe (5) auf und ab.



Durch die Aufwärtsbewegung des Kolbens öffnet das Einlassventil selbstständig. Bei der Abwärtsbewegung des Kolbens öffnet das Auslassventil.

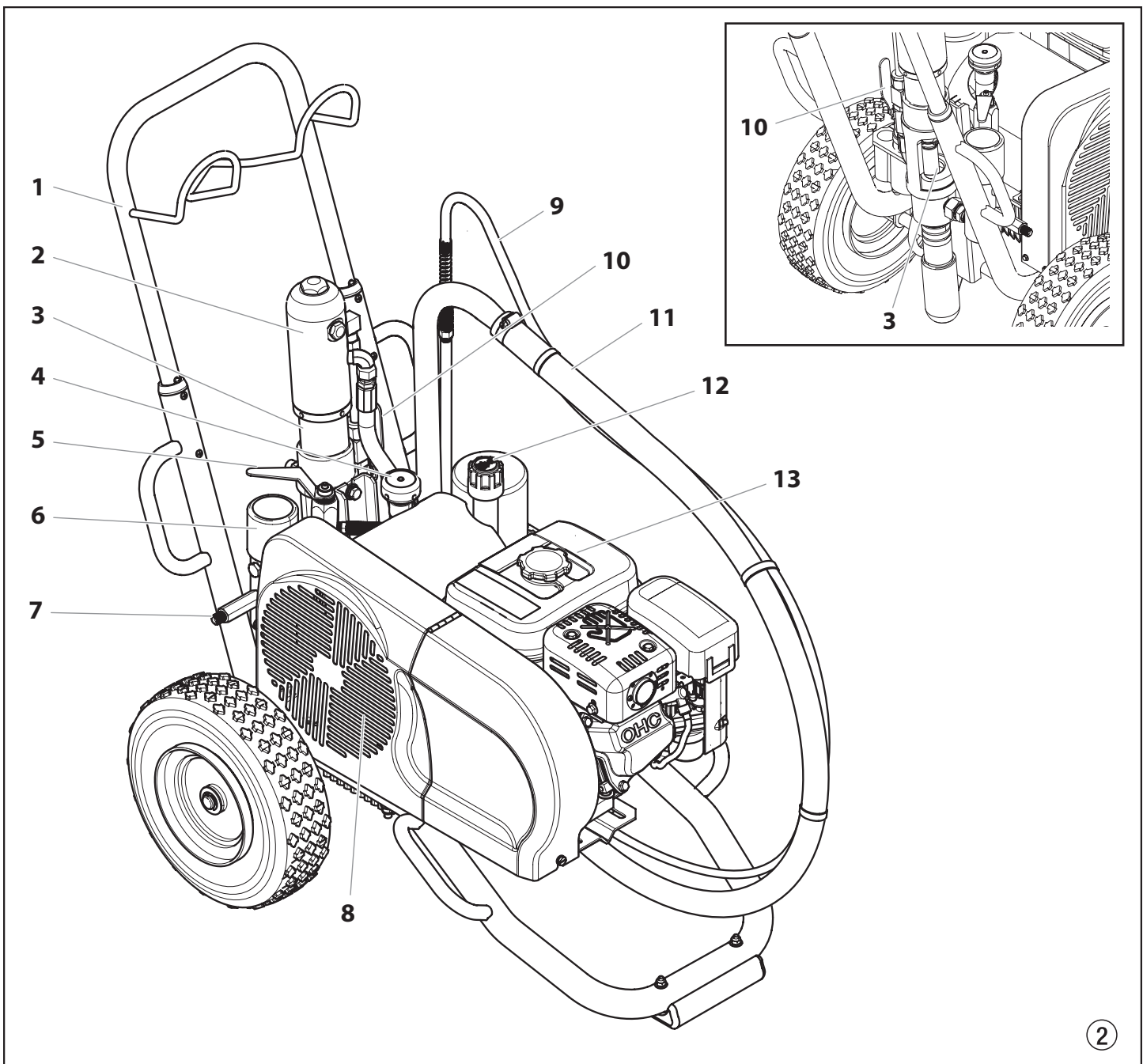
Der Beschichtungsstoff strömt unter hohem Druck durch den Hochdruckschlauch zur Spritzpistole. Bei Austritt aus der Düse zerstäubt der Beschichtungsstoff.

Das Druckregelventil (6) regelt die Fördermenge und den Betriebsdruck des Beschichtungsstoffes.





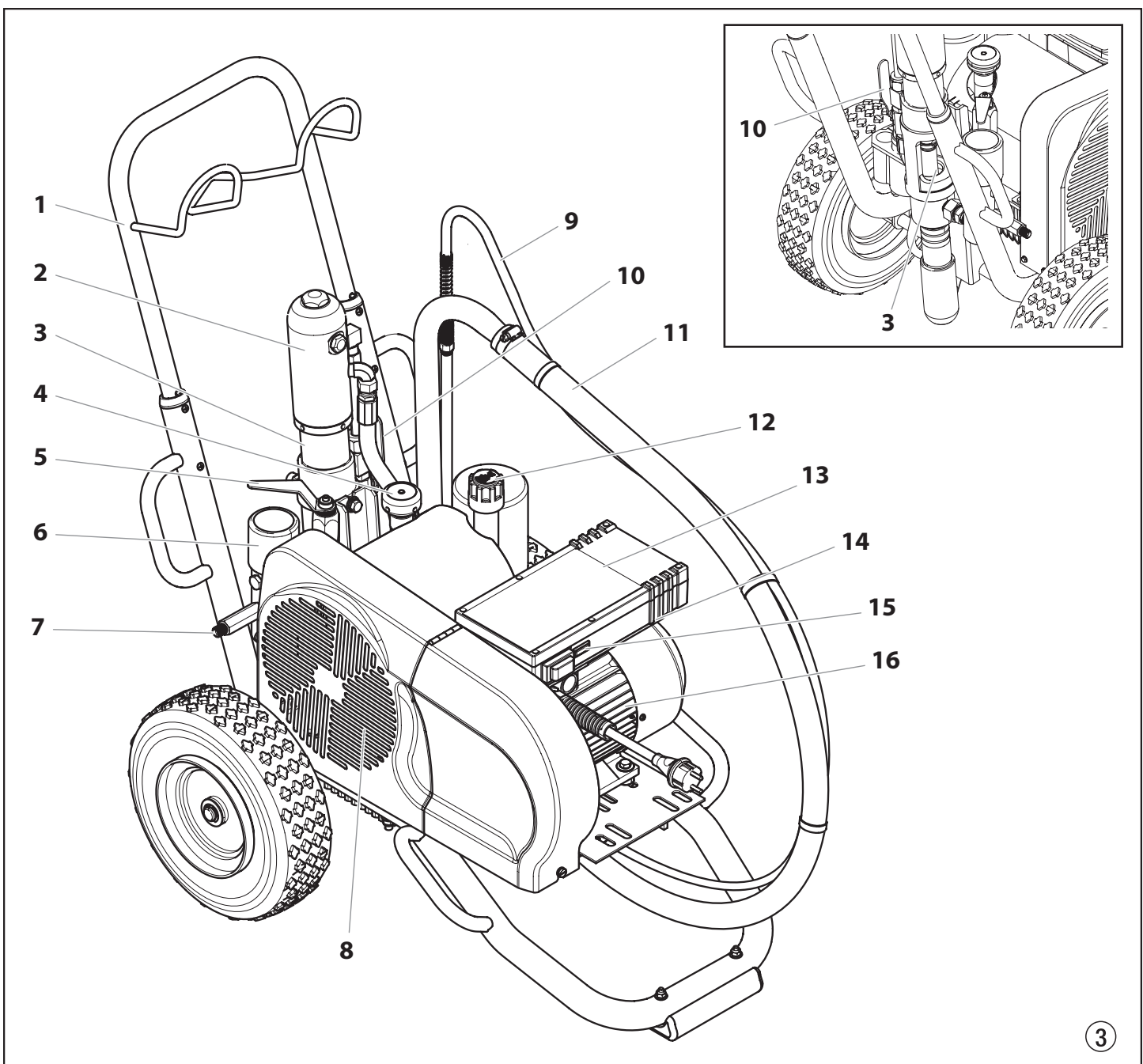
3.3 Erklärungsbild PT-Geräte mit Benzinmotor

- | | | | |
|---|--|----|--|
| 1 | Deichsel ausziehbar | 8 | Keilriemen unter der Riemenabdeckung |
| 2 | Speeflo® HydraDrive™ Hydraulikmotor | 9 | Rücklaufschlauch |
| 3 | Einfüllöffnung für Trennöl (Trennöl verhindert erhöhten Verschleiß der Packungen) | 10 | Kugelhahn Hebelstellung waagrecht –
Hydraulikmotor ausgeschaltet
Hebelstellung senkrecht –
Hydraulikmotor eingeschaltet |
| 4 | Druckregulierknopf | 11 | Ansaugschlauch |
| 5 | Entlastungsventilhandgriff
Nach links drehen Zirkulation 
Nach rechts drehen Spritzen  | 12 | Ölmesstab |
| 6 | Hochdruckfilter | 13 | Benzinmotor |
| 7 | Hochdruckschlauchauslass | | |



3.4 Erklärungsbild PT-Geräte mit Elektromotor

- | | |
|--|--|
| <ul style="list-style-type: none"> 1 Deichsel ausziehbar 2 Speeflo® HydraDrive™ Hydraulikmotor 3 Einfüllöffnung für Trennöl (Trennöl verhindert erhöhten Verschleiß der Packungen) 4 Druckregulierknopf 5 Entlastungsventilhandgriff
Nach links drehen Zirkulation 
Nach rechts drehen Spritzen  6 Hochdruckfilter 7 Hochdruckschlauchauslass 8 Keilriemen unter der Riemenabdeckung 9 Rücklaufschlauch | <ul style="list-style-type: none"> 10 Kugelhahn Hebelstellung waagrecht –
Hydraulikmotor ausgeschaltet
Hebelstellung senkrecht –
Hydraulikmotor eingeschaltet 11 Ansaugschlauch 12 Ölmesstab 13 Elektromotor 14 EIN/AUS-Schalter 15 Kontrollleuchte zeigt Betriebsbereitschaft an 16 Geräteanschlussleitung |
|--|--|



3.5 Technische Daten PT-Geräte

	PT4900 Plus (230V)	PT4900 Plus (Benzinmotor)	PT6900 Plus	PT8900 Plus	PT12000 Plus
Benzinmotor, Leistung					
Honda	-----	163cc, 4,8 Hp	163cc, 4,8 Hp	196cc, 5,5 Hp	270cc, 8,5 Hp
Kohler	-----	-----	-----	-----	277cc, 9,5 Hp
Tankinhalt					
	-----	0,83 US gal (3,1 l)	0,83 US gal (3,1 l)	0,83 US gal (3,1 l)	1,6 US gal (6,06 l)
Spannung					
	230 V~, 50 Hz	-----	-----	-----	-----
Aufnahmeleistung					
	2,6 kW	-----	-----	-----	-----
Geräteanschlussleitung					
	3 x 2,5 mm ² – 6 m	-----	-----	-----	-----
Absicherung					
	16 A	-----	-----	-----	-----
max. Betriebsdruck					
	22,8 MPa (228 bar)				24,8 MPa (248 bar)
max. Schalldruckpegel:					
	80 dB (A)*	92 dB (A)*		98 dB (A)*	
max. Düsengröße mit einer Spritzpistole					
1-Spritzpistole	0,038" – 0,97 mm	0,044" – 1,12 mm	0,050" – 1,27 mm	0,054" – 1,37 mm	0,058" – 1,47 mm
2-Spritzpistole	0,027" – 0,69 mm	0,031" – 0,79 mm	0,035" – 0,89 mm	0,038" – 0,96 mm	0,040" – 1,01 mm
3-Spritzpistole	0,021" – 0,53 mm	0,025" – 0,64 mm	0,029" – 0,74 mm	0,032" – 0,81 mm	0,034" – 0,86 mm
4-Spritzpistole	-----	-----	0,025" – 0,64 mm	0,028" – 0,71 mm	0,030" – 0,76 mm
5-Spritzpistole	-----	-----	-----	0,024" – 0,61 mm	0,026" – 0,66 mm
6-Spritzpistole	-----	-----	-----	-----	0,024" – 0,61 mm
max. Volumenstrom					
	4,2 l/min	5,7 l/min	8,5 l/min	9,5 l/min	11,9 l/min
Gewicht					
	63 kg	60 kg	63 kg	70 kg	83 kg
max. Viskosität					
	50.000 mPa·s			65.000 mPa·s	
Abmessungen L x H x B					
	946 x 680 x 890 mm			1080 x 686 x 866 mm	1168 x 686 x 866 mm
max. Temperatur des Beschichtungsstoffs					
	43° C				
Filtereinsatz (Standardausführung)					
	Filterfeinheit 50, 18 in ²			Filterfeinheit 5, 18 in ²	
Hydrauliköl-Füllmenge					
	5,9 l (1,56 gal) CoolFlo				
max. Reifendruck					
	0,2 MPa (2 bar)				
Spezial-Hochdruckschlauch					
	DN 6 mm, 15 m, Anschlussgewinde NPSM 1/4				

* Messort: Abstand 1 m seitlich vom Gerät und 1,60 m über schallhartem Boden, 12 MPa (120 bar) Betriebsdruck.

3.6 Empfehlungstabelle für Airless Spritzdüse

Viskosität	Filterfeinheit	Anstrich	Düsenprogramm	Synergy™ (Fine Finish)
Leicht	100-150	Lasur	,009 - ,011	,008 - ,010
		Lack (klar)	,009 - ,011	,008 - ,010
		Schleifgrundierungen	,009 - ,011	,008 - ,010
		Schellack (klar)	,009 - ,013	,008 - ,012
		Transparente Beize	,011 - ,013	,010 - ,012
		Wassergrundierungen (klar)	,011 - ,013	,010 - ,012
Medium	60-100	Deckende Beize	,013 - ,015	
		Fassadenfarben	,013 - ,017	
		Innenwandfarben	,013 - ,017	
		Grundierungsmittel für den Innen- & Außenbereich	,017 - ,019	
Schwer	30-60	Handelsübliche Qualität		
		Bautenanstrichmittel	,017 - ,019	
		Innenwandfarben	,017 - ,019	
		Grundierungsmittel für Innenwände	,017 - ,019	
		Dry Fall (schnell trocknend)	,019 - ,023	
		Einschicht-Lack, Grundierung-Decklacke	,019 - ,023	
Extra schwer	0	Elastomere	,021 - ,031	
		Pigmentierte Imprägnierungsmittel	,021 - ,027	
		Kunstharzbeschichtungen	,025 - ,031	

Die in dieser Tabelle empfohlenen Düsengrößen basieren auf Strahlbreiten zwischen 8 Inch (20 cm) and 12 Inch (30 cm)

3.7 Liste der Bedienungsanleitungen

Im Folgenden finden Sie eine Liste der verfügbaren Bedienungsanleitungen für dieses Gerät.

Online-Artikel können unter www.titantool.com heruntergeladen werden.

Beschreibung	Form. #	So finden Sie es
Bedienungsanleitungen		
GB/D/F	537853	<ul style="list-style-type: none"> • im Lieferumfang enthalten • online
E/I/P	537854	
NL/DK/S	537855	
RFB	537867	
Servicehandbuch, Ersatzteile		
GB/D/F	2439109	<ul style="list-style-type: none"> • online
E/I/P	2439114	
NL/DK/S	2439115	
RFB	2439116	

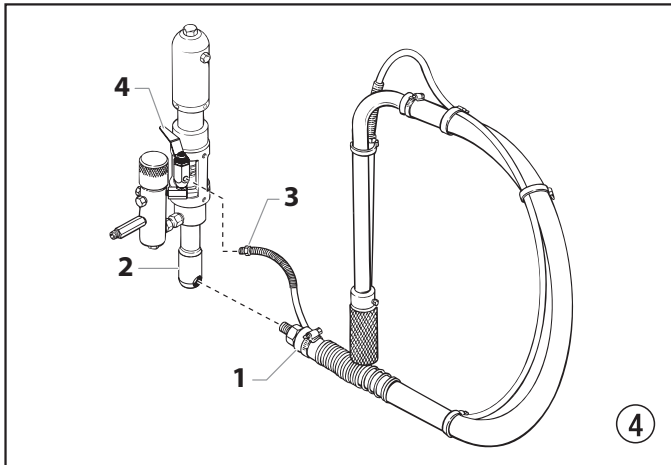
4. Bedienung



Diese Komponente produziert einen Flüssigkeitsstrom bei extrem hohem Druck. Lesen und verstehen Sie die Hinweise im Abschnitt über die Sicherheitsvorkehrungen am Anfang dieses Handbuchs, bevor Sie dieses Gerät benutzen.

4.1 Einrichtung

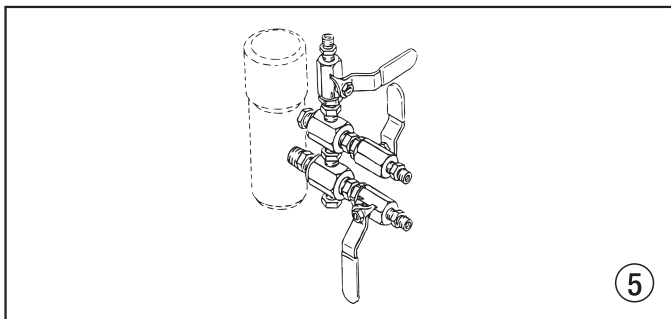
1. Vergewissern Sie sich, dass der Ansaugschlauch (Abb. 4, Pos. 1) an die Flüssigkeitsbereich (2) angeschlossen ist und dass der Ablassschlauch (3) an das Ablassventil (4) angeschlossen ist. Am männlichen Ende beider Schläuche wurde von der Fabrik PTFE-band angebracht und sie sollten fest angeschraubt werden.



2. Schließen Sie einen mindestens 15 m langen Airless Spritzschlauch aus Nylon an das Spritzgerät an. Verwenden Sie kein PTFE-band bzw. Gewindedichtungsmittel auf der Spritzschlauchverbindung.
3. Schließen Sie ein Airless Hochdruck-Spritzgerät an den Spritzschlauch an. Setzen Sie die Spitze noch nicht auf die Spritzpistole. Entfernen Sie die Spitze, wenn diese bereits angebracht ist.
 - a. Um zwei Pistolen zu verwenden, entfernen Sie die Verschlusschraube vom zweiten Pistolenauslass auf der Filterbaugruppe. Schließen Sie einen Schlauch an die Pistole am Auslass an.



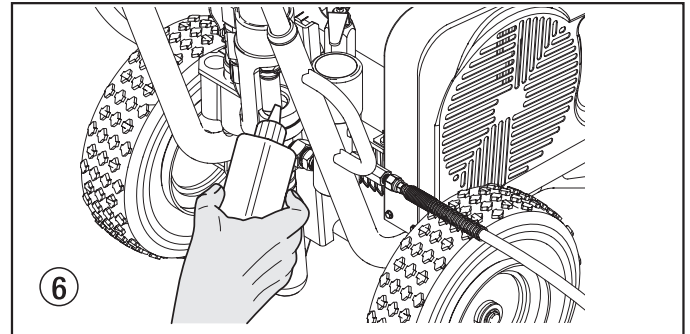
Bei Mehrpistolenbetrieb ist ein Mehrfachverteiler an einen einzelnen Pistolenauslass anzuschließen. Schließen Sie einen Schlauch und eine Pistole an jeden Auslass an. Achten Sie darauf, dass der zweite Pistolenauslass verschlossen ist. Befolgen Sie die "Technischen Daten" in Abschnitt 3,5, um die Anzahl der Pistolen sowie die maximale Größe der Spritzdüse festzulegen.



4. Die Ölwanne zur Hälfte mit Piston Lube (Bestell-Nr. 314-480) füllen. Dadurch verlängert sich die Nutzungsdauer der Packungsdichtung.



Piston Lube verhindert erhöhten Verschleiß der Packungen.



7. Die Stand der Hydraulikflüssigkeit täglich vor Inbetriebnahme des Spritzgeräts überprüfen. Der Stand der Hydraulikflüssigkeit sollte am Messstab an der Markierung „Full“ (Voll) stehen.



Für die Hydraulikanlage das von Titan Coolflo zugelassene Hydraulikfluid (Bestell-Nr. 430-361) verwenden. Keine anderen Hydraulikflüssigkeiten verwenden. Bei Verwendung anderer Hydraulikflüssigkeiten kann die Hydraulikanlage schwere Schäden erleiden, und die Garantie erlischt.

6. Benzinmotor - Den Motorölstand täglich vor Inbetriebnahme des Spritzgeräts kontrollieren. Der Ölstand im Benzinmotor wird vom Motorhersteller festgelegt. Weitere Informationen finden Sie in der Bedienanleitung des Motorherstellers, die mit diesem Spritzgerät geliefert wurde.
7. Verwenden Sie bei elektrischen Modellen einen 20 Amper Stromanschluss. Das elektrische Modell muss stets in einer Entfernung von 3 bis 4,5 m zum Stromanschluss stehen. Verwenden Sie ein kurzes Stromkabel und einen langen Farbschlauch. Verlängerungskabel verursachen einen Spannungsabfall. Wenn ein Verlängerungskabel erforderlich ist, darf nur ein geerdetes 3-drahtiges #12 Verlängerungskabel verwendet werden.
8. Das Spritzgerät muss geerdet sein. Alle Spritzgeräte sind mit einer Erdschraube versehen. Das Spritzgerät sollte mit einem Erdkabel (nicht mitgeliefert) mit einer guten Erde verbunden werden. Detaillierte Anweisungen zur Erdung finden Sie in den vor Ort geltenden Elektroschaltvorschriften.



Eine richtige Erdung ist sehr wichtig. Dies gilt sowohl für Benzin- als auch für elektrisch betriebene Geräte. Beim Transport bestimmter Medien durch den Nylonschlauch entsteht eine elektrostatische Aufladung, die bei einer Entladung Lösungsmitteldämpfe entzünden und eine Explosion verursachen könnte.

9. Alle Farben mit einem Nylonvorfilter filtern, um einen problemfreien Betrieb sicherzustellen und eine häufige Reinigung des Zulaufsiebs und des Spritzpistolenfilters zu vermeiden.
10. Der Arbeitsbereich muss gut belüftet sein, um den gefährlichen Betrieb mit flüchtigen Lösungsmitteln oder Abgasen zu vermeiden.



Muss ein Lack bzw. entzündbare Materialien gespritzt werden, muss das Spritzgerät IMMER außerhalb des unmittelbaren Spritzbereichs stehen. Bei nicht Einhaltung besteht Explosionsgefahr.

11. Positionieren Sie das Spritzgerät außerhalb des unmittelbaren Spritzbereichs, um zu vermeiden, dass der Luftenlass des Motors oder des elektrischen Motors durch Farbspritzer verstopft wird.

4.2 Vorbereitung eines neuen Spritzgeräts

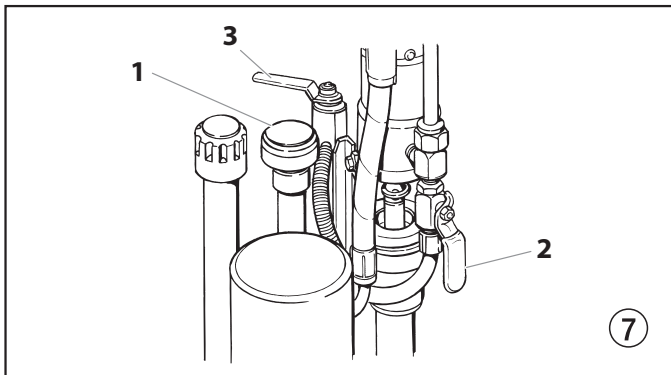
Ist das Spritzgerät neu, wird es mit Testflüssigkeit im Flüssigkeitsbehälter ausgeliefert, um eine Korrosion während der Lieferung und Lagerung zu vermeiden. Diese Testflüssigkeit muss mit Spiritus gründlich aus dem System entfernt werden, bevor mit den Spritzarbeiten begonnen wird.



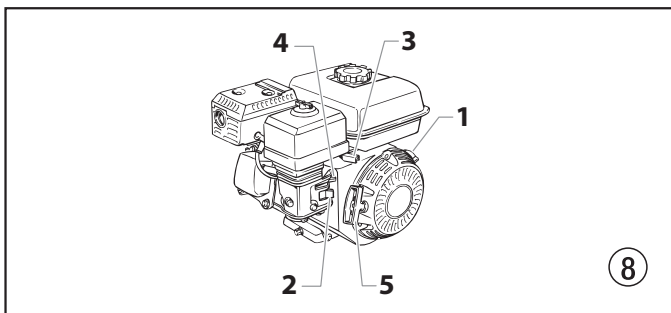
Achtung

Den Auslöser der Spritzpistole stets verriegelt lassen, während das System auf die Inbetriebnahme vorbereitet wird.

1. Das den Ansaugschlauch in einen Behälter mit Spiritus hängen.
2. Den Ablassschlauch in einen Metallabfallbehälter hängen.
3. Den Druck auf Minimum einstellen. Dazu den Druckreglerknopf (Abb. 7, Pos. 1) ganz nach links drehen.
4. Das hydraulische Absperrventil (2) am Hydraulikdruckschlauch öffnen. Der Griff muss in die gleiche Richtung zeigen wie der Schlauch.
5. Das Ablassventil (3) ganz nach links drehen, um es zu öffnen.



6. Benzinmotor starten oder Elektromotor starten.
 - a. Start des Benzinmotors (Abb. 8):
 - Den Hebel für das Benzinventil (2) öffnen,
 - die Drosselklappe (3) auf Mitte einstellen,
 - und den Choke hebel (4) bei kaltem Motor in die geschlossene oder bei warmem Motor in die offene Stellung bringen.
 - Den Motorschalter (1) in die Stellung ON (Ein) drehen und ruckartig an der Anlasserleine (5) ziehen, bis der Motor anspringt.
 - b. Schalten Sie den EIN/AUS-Knopf auf AN, um den elektrischen Motor zu starten.



7. Den Druckreglerknopf (Abb. 7, Pos. 1) etwa ein Drittel nach rechts drehen, um den Druck zu erhöhen, bis das Spritzgerät gleichmäßig arbeitet und aus dem Ablassschlauch Lösungsmittel austritt.

8. Das Spritzgerät 15–30 Sekunden laufen lassen, um die Testflüssigkeit aus dem Ablassschlauch zu spülen und in den Abfallbehälter zu entleeren.
9. Das Spritzgerät abschalten.
 - a. Zum Ausschalten des Benzinmotors
 - den Druck auf Minimum einstellen. Dazu den Druckreglerknopf ganz nach links drehen.
 - den Drosselklappenhebel in die Position für niedrige Drehzahl bringen und
 - den Motorschalter in die Stellung OFF (Aus) drehen.
 - b. Um den elektrischen Motor abzuschalten,
 - den Druck auf Minimum einstellen. Dazu den Druckreglerknopf ganz nach links drehen.
 - stellen Sie den EIN/AUS-Knopf auf AUS.

4.3 Vorbereitung der Farbe

Vor der Farbgebung muss kontrolliert werden, ob die Flüssigkeit in dem System kompatibel mit der Farbe ist, die verwendet werden soll.



Wenn Flüssigkeit und Farbe inkompatibel sind, können die Ventile verkleben, so dass der Flüssigkeitsbehälter des Spritzgeräts zerlegt und gereinigt werden muss.



Achtung

Den Auslöser der Spritzpistole stets verriegelt lassen, während das System auf die Inbetriebnahme vorbereitet wird.

1. Das den Ansaugschlauch in einen Behälter mit dem geeigneten Lösungsmittel hängen.



Bei Sprühen von wasserverdünnten Latexdispersionen mit warmem sauberem Wasser spülen. Bei Verarbeitung anderer Farben beim Hersteller der Farbe ein kompatibles Lösungsmittel erfragen.

2. Den Ablassschlauch in einen Metallabfallbehälter hängen.
3. Den Druck auf Minimum einstellen (Abb. 7, Pos. 1). Dazu den Druckreglerknopf ganz nach links drehen.
4. Das hydraulische Absperrventil (2) am Hydraulikdruckschlauch öffnen. Der Griff muss in die gleiche Richtung zeigen wie der Schlauch.
5. Das Ablassventil ganz nach links drehen, um es zu öffnen.
6. Benzinmotor starten oder Elektromotor starten.
 - a. Start des Benzinmotors (Abb. 8):
 - Den Hebel für das Benzinventil (2) öffnen,
 - die Drosselklappe (3) auf Mitte einstellen,
 - und den Choke hebel (4) bei kaltem Motor in die geschlossene oder bei warmem Motor in die offene Stellung bringen.
 - Den Motorschalter (1) in die Stellung ON (Ein) drehen und
 - ruckartig an der Anlasserleine (5) ziehen, bis der Motor anspringt.
 - b. Schalten Sie den EIN/AUS-Knopf auf AN, um den elektrischen Motor zu starten.
7. Den Druckreglerknopf (Abb. 7, Pos. 1) etwa ein Drittel nach rechts drehen, um den Druck zu erhöhen, bis das Spritzgerät gleichmäßig arbeitet und aus dem Ablassschlauch Lösungsmittel austritt.
8. Das Spritzgerät 15–30 Sekunden laufen lassen, um die Testflüssigkeit aus dem Ablassschlauch zu spülen und in den Abfallbehälter zu entleeren.
9. Das Spritzgerät abschalten.
 - a. Zum Ausschalten des Benzinmotors
 - den Druck auf Minimum einstellen. Dazu den Druckreglerknopf ganz nach links drehen.
 - den Drosselklappenhebel in die Position für niedrige Drehzahl bringen und
 - den Motorschalter in die Stellung OFF (Aus) drehen.
 - b. Um den elektrischen Motor abzuschalten,
 - den Druck auf Minimum einstellen. Dazu den Druckreglerknopf ganz nach links drehen.
 - stellen Sie den EIN/AUS-Knopf auf AUS.



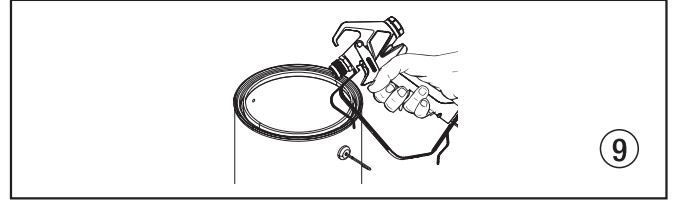
Die Spritzpistole darf noch nicht mit einem Düsenschutz oder einer Düse versehen sein.

10. Schliessen Sie das Ablassventil, indem Sie es voll im Uhrzeigersinn drehen.
11. Benzinmotor starten oder Elektromotor starten.
12. Den Druckreglerknopf etwa ein Drittel nach rechts drehen, um den Druck zu erhöhen.

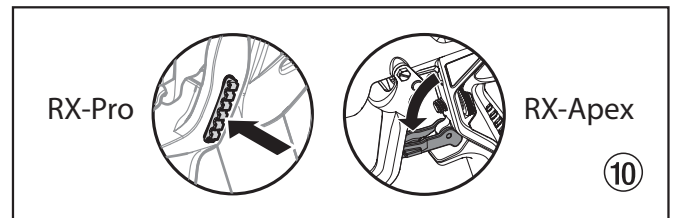
13. Die Spritzpistole entriegeln. Dazu die Verriegelung des Spritzpistolenauslösers in die entriegelte Stellung bringen.



Die Spritzpistole gegen die Kante eines Metallbehälters drücken, um sie während der Spülung zu erden. Anderenfalls können sich elektrostatische Aufladungen bilden, die Brände verursachen können.



14. Die ausgelöste Spritzpistole in einen Metallabfallbehälter halten, bis das alte Lösungsmittel entfernt ist und frisches Lösungsmittel austritt.
15. Die Spritzpistole verriegeln. Dazu die Verriegelung des Spritzpistolenauslösers in die verriegelte Stellung bringen (Abb 10).



16. Die Spritzpistole nach unten halten und den Druck mit dem Druckreglerknopf vorsichtig durch Drehen nach rechts erhöhen.
17. Die gesamte Anlage auf Leckstellen kontrollieren. Werden Leckstellen festgestellt, die Schritte zur „Druckentlastung“, wie in dieser Bedienanleitung beschrieben, ausführen, bevor Schläuche oder Verschraubungen festgezogen werden.
18. Vor dem Wechsel von Lösungsmittel auf Farbe die in dieser Bedienanleitung beschriebenen Schritte zur „Druckentlastung“ (Section 4.5) ausführen.



Bei Außerbetriebnahme des Spritzgeräts die Schritte für die Druckentlastung genau einhalten. Dies gilt auch für die Einstellung von Teilen oder Wartungsarbeiten an Teilen der Spritzanlage, für die Reinigung oder den Wechsel von Sprühdüsen und für die Vorbereitung auf die Reinigung.

4.4 Farbgebung

1. Das den Ansaugschlauch in einen Farbbehälter hängen.
2. Den Ablassschlauch in einen Metallabfallbehälter hängen.
3. Den Druck auf Minimum einstellen (Abb. 7, Pos. 1). Dazu den Druckreglerknopf ganz nach links drehen.
4. Das hydraulische Absperrventil (2) am Hydraulikdruckschlauch öffnen. Der Griff muss in die gleiche Richtung zeigen wie der Schlauch.
5. Das Ablassventil (3) ganz nach links drehen, um es zu öffnen.
6. Benzinmotor starten oder Elektromotor starten.
 - a. Start des Benzinmotors (Abb. 8):
 - Den Hebel für das Benzinventil (2) öffnen,
 - die Drosselklappe (3) auf Mitte einstellen,
 - und den Choke hebel (4) bei kaltem Motor in die geschlossene oder bei warmem Motor in die offene Stellung bringen.
 - Den Motorschalter (1) in die Stellung ON (Ein) drehen und ruckartig an der Anlasserleine (5) ziehen, bis der Motor anspringt.
 - b. Schalten Sie den EIN/AUS-Knopf auf AN, um den elektrischen Motor zu starten.
7. Den Druckreglerknopf etwa ein Drittel nach rechts drehen, um den Druck zu erhöhen, bis das Spritzgerät gleichmäßig arbeitet und aus dem Ablassschlauch Farbe austritt.
8. Das Spritzgerät abschalten.
 - a. Zum Ausschalten des Benzinmotors
 - den Druck auf Minimum einstellen. Dazu den Druckreglerknopf ganz nach links drehen.
 - den Drosselklappenhebel in die Position für niedrige Drehzahl bringen und
 - den Motorschalter in die Stellung OFF (Aus) drehen.
 - b. Um den elektrischen Motor abzuschalten,
 - den Druck auf Minimum einstellen. Dazu den Druckreglerknopf ganz nach links drehen.
 - stellen Sie den EIN/AUS-Knopf auf AUS.
9. Den Ablassschlauch aus dem Abfallbehälter nehmen und in den Farbbehälter hängen.
10. Das Ablassventil ganz nach rechts drehen
11. Benzinmotor starten oder Elektromotor starten.
12. Den Druckreglerknopf etwa ein Drittel nach rechts drehen, um den Druck zu erhöhen.
13. Die Spritzpistole entriegeln. Dazu die Verriegelung des Spritzpistolenauslösers in die entriegelte Stellung bringen.



Die Spritzpistole gegen die Kante eines Metallbehälters drücken, um sie während der Spülung zu erden. Anderenfalls können sich elektrostatische Aufladungen bilden, die Brände verursachen können.

14. Die Spritzpistole in einen Metallabfallbehälter halten und betätigen, bis Lösungsmittel und Luft komplett aus dem Sprühschlauch entfernt sind und die Farbe aus der Spritzpistole austritt.
15. Die Spritzpistole verriegeln. Dazu die Verriegelung des Spritzpistolenauslösers in die verriegelte Stellung bringen (Abb 10).
16. Das Spritzgerät abschalten.
17. Den Düsenschutz und die Düse an der Spritzpistole anbauen. Dabei die Hinweise in den Bedienanleitungen für Düsenschutz und Düse beachten.



GEFAHR EINER FLÜSSIGKEITSINJEKTION Keine Spritzarbeiten ohne den Düsenschutz durchführen. Den Auslöser der Spritzpistole nur betätigen, wenn der Düsenschutz entweder in der Spritzposition oder in der Position zur Düsenreinigung steht. Den Spritzpistolenauslöser immer verriegeln, bevor die Düse entfernt, ersetzt oder gereinigt wird.

18. Benzinmotor starten oder Elektromotor starten.
19. Den Druck durch langsames Drehen des Druckreglerknopfes nach rechts erhöhen und das Sprühmuster auf einem Stück Pappe kontrollieren. Den Druckreglerknopf so einstellen, dass die Spritzflüssigkeit vollkommen zerstäubt wird.



Wird der Druck höher eingestellt, als zur Zerstäubung der Farbe erforderlich ist, kommt es zu vorzeitigem Düsenverschleiß und zu einem Übersprühen.

4.5 Vorgehensweise bei Druckentlastung



Bei Außerbetriebnahme des Spritzgeräts die Schritte für die Druckentlastung genau einhalten. Dies gilt auch für die Einstellung von Teilen oder Wartungsarbeiten an Teilen der Spritzanlage, für die Reinigung oder den Wechsel von Sprühdüsen und für die Vorbereitung auf die Reinigung.

1. Die Spritzpistole verriegeln. Dazu den Spritzpistolenauslöser in die verriegelte Stellung bringen.
2. Das Spritzgerät abschalten.
 - a. Zum Ausschalten des Benzinmotors
 - den Druck auf Minimum einstellen. Dazu den Druckreglerknopf ganz nach links drehen.
 - den Drosselklappenhebel in die Position für niedrige Drehzahl bringen und
 - den Motorschalter in die Stellung OFF (Aus) drehen.
 - b. Um den elektrischen Motor abzuschalten,
 - den Druck auf Minimum einstellen. Dazu den Druckreglerknopf ganz nach links drehen.
 - stellen Sie den EIN/AUS-Knopf auf AUS.
3. Das hydraulische Absperrventil des Hydraulikschlauchs schließen.
4. Die Spritzpistole entriegeln. Dazu die Verriegelung des Spritzpistolenauslösers in die entriegelte Stellung bringen.
5. Das Metallteil der Spritzpistole fest auf die Seitenwand eines Metallabfallbehälters drücken, um die Spritzpistole zu erden und elektrostatische Aufladungen zu vermeiden.
6. Den Auslöser der Spritzpistole drücken, um eventuell noch im Schlauch vorhandenen Druck abzubauen.
7. Die Spritzpistole verriegeln. Dazu die Verriegelung des Spritzpistolenauslösers in die verriegelte Stellung bringen.
8. Den Ablassschlauch in den Metallabfallbehälter hängen.
9. Das Ablassventil ganz nach links drehen, um es zu öffnen.

5. Reinigung



Achtung

Das Spritzgerät, der Schlauch und die Spritzpistole müssen jeden Tag gründlich gereinigt werden, Geschieht dies nicht, kann sich die Farbe absetzen und die Leistung des Gerätes erheblich beeinträchtigen.



Immer mit möglichst niedrigem Druck sprühen, wenn der Düsenschutz der Spritzpistole abgebaut ist und das Spritzgerät, der Schlauch oder die Spritzpistole mit Spiritus oder anderen Lösungsmittel gereinigt werden. Elektrostatische Aufladungen können zu Bränden oder Explosionen führen, wenn entzündliche Dämpfe vorhanden sind.

5.1 Besondere Reinigungshinweise bei Verwendung entflammbarer Lösungsmittel

- Die Spritzpistole stets im Freien und möglichst eine Schlauchlänge von der Sprühpumpe entfernt spülen.
- Werden die zur Spülung verwendeten Lösungsmittel in einem Metallbehälter von etwa 4 l Fassungsvermögen aufgefangen, diesen in einen Behälter mit einem Fassungsvermögen von etwa 20 l stellen und erst dann weiter spülen.
- Im Arbeitsbereich dürfen sich keine entzündlichen Dämpfe sammeln.
- Alle Reinigungshinweise beachten.

5.2 Reinigung des Spritzgeräts

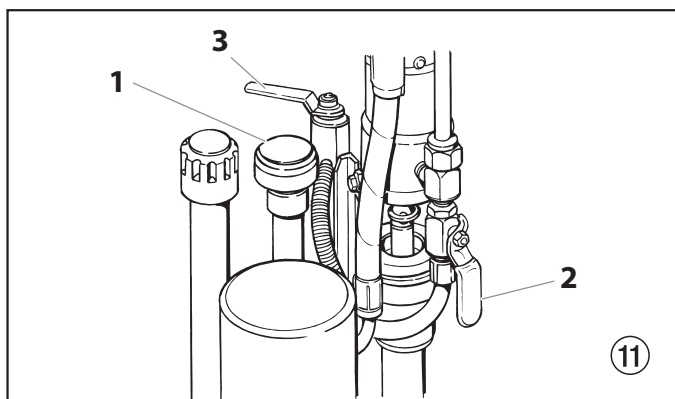
1. Die in dieser Bedienanleitung im Abschnitt Betrieb beschriebenen Schritte zur „Druckentlastung“ ausführen (Abschnitt 4.5).
2. Düse und Düsenschutz abbauen und mit einem Pinsel und einem geeigneten Lösungsmittel reinigen.
3. Das den Syphonschlauch in einen Behälter mit dem geeigneten Lösungsmittel hängen.



Achtung

Bei der Entfernung von Lackfarben auf Ölbasis, Lacken, Steinkohlenteer und Epoxidharzen nur kompatible Lösungsmittel verwenden. Lassen Sie sich vom Hersteller ein geeignetes Lösungsmittel empfehlen.

4. Den Ablassschlauch in einen Metallabfallbehälter hängen.
3. Den Druck auf Minimum einstellen. Dazu den Druckreglerknopf (Abb. 11, Pos. 1) ganz nach links drehen.
4. Das hydraulische Absperrventil (2) am Hydraulikdruckschlauch öffnen. Der Griff muss in die gleiche Richtung zeigen wie der Schlauch.
5. Das Ablassventil (3) ganz nach links drehen, um es zu öffnen.



8. Benzinmotor starten oder Elektromotor starten.

9. Das Lösungsmittel durch das Spritzgerät zirkulieren lassen und die Farbe über den Ablassschlauch in einen Metallabfallbehälter entleeren und spülen.
10. Das Spritzgerät abschalten.
11. Das Ablassventil ganz nach rechts drehen.
12. Benzinmotor starten oder Elektromotor starten.



Die Spritzpistole gegen die Kante eines Metallbehälters drücken, um sie während der Spülung zu erden. Anderenfalls können sich elektrostatische Aufladungen bilden, die Brände verursachen können.

13. Die ausgelöste Spritzpistole in den Metallabfallbehälter halten und betätigen, bis die Farbe aus dem Schlauch gespült ist und nur noch Lösungsmittel aus der Spritzpistole austritt.
14. Die ausgelöste Spritzpistole weiter in den Abfallbehälter halten, bis nur noch sauberes Lösungsmittel aus der Spritzpistole austritt.



Bei einer langfristigen Lagerung bei kaltem Wetter oder bei Aussetzung gegenüber Gefriertemperaturen, pumpen Sie Lösungsbenzin durch das gesamte System.

Bei einer kurzfristigen Lagerung, die bei Verwendung von Latexfarbe keinen Gefriertemperaturen ausgesetzt ist, pumpen Sie mit Titan Liquid Shield gemischtes Wasser durch das gesamte System (Anweisungen zur Verdünnung finden Sie im Abschnitt Zubehör in diesem Handbuch für die Teilenummer und das Produktetikett).

15. Vor dem Wechsel von Lösungsmittel auf Farbe die in dieser Bedienanleitung beschriebenen Schritte zur „Druckentlastung“ ausführen.
16. Das Sprühergerät an einem trockenen, sauberen Ort aufbewahren.

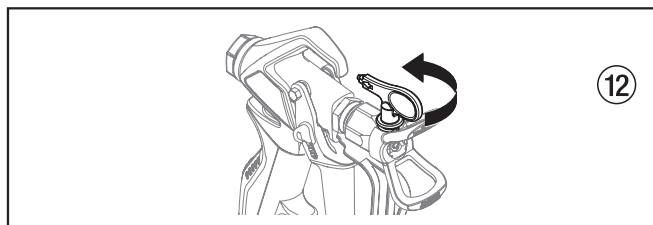


Achtung

Das Spritzgerät nicht unter Druck lagern.

5.3 Eine verstopfte Düse reinigen

1. Befolgen Sie die Richtlinien zum „Druckentlastungsablauf“, wie im Abschnitt „Betrieb“ dieses Handbuchs beschrieben.
2. Wenn die Düse verstopft ist, rotieren Sie den Düsenhalter um 180° bis der Pfeil auf dem Halter in die gegengesetzte Richtung zur Spritzrichtung zeigt und der Halter in die umgekehrte Position einklinkt.



3. Lösen Sie die Spritzpistole einmal aus, so dass der Luftdruck die Verstopfung ausblasen kann. Lösen Sie die Spritzpistole in der umgekehrten Position NIEMALS mehr als EINMAL kurz aus. Diese Prozedur kann so oft wiederholt werden, bis die Düse nicht mehr verstopft ist.



Der Ausfluss aus der Spritzdüse geschieht unter hohem Druck. Kontakt zu einem Körperteil kann gefährlich sein. Keinen Finger an die Düse legen. Die Spritzpistole nie auf eine Person richten. Die Spritzpistole nie ohne die richtige Düsenschutzabdeckung bedienen.

6. Unterhalt



Bevor Sie fortfahren, befolgen Sie die Richtlinien zum Druckentlastungsablauf, wie vorherig in diesem Handbuch beschrieben. Dazu befolgen Sie alle anderen Warnungen, um das Risiko einer Injektionsverletzung, Verletzungen verursacht durch bewegende Teile oder Elektroschock zu vermeiden. Vor der Wartung, das Spritzgerät abstellen!

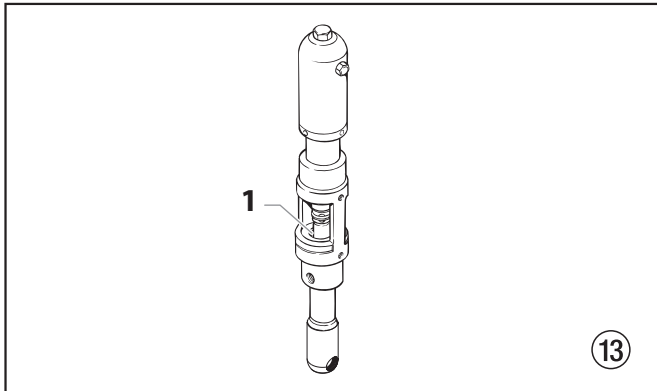
6.1 Tägliche Wartung

Für dieses Spritzgerät sind täglich zwei routinemässige Abläufe zum Unterhalt erforderlich:

- Die oberen Dichtungen einfetten.
- Den Steinfänger reinigen.

A) Die oberen Dichtungen einfetten

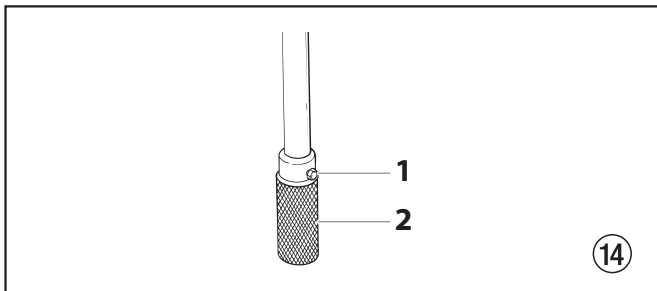
- Die Farbe, welche über die Dichtungen herausgedrungen ist und in die Schmierbüchse (Abb. 13, Pos. 1) über dem Flüssigkeitsbereich gesickert ist reinigen.
- Die Schmierbüchse zur Hälfte mit Piston Lube (P/N 314-480) welches von der Fabrik geliefert wird, auffüllen. Dies verlängert die Lebensdauer der Dichtungen.



Die Schmierbüchse nicht überfüllen, so dass kein Öl in die Farbe tropft.

B) Den Steinfänger reinigen

- Der Steinfänger wird verstopft und muss mindestens einmal täglich gereinigt werden.
- Die Mutter (Abb. 13, Pos. 1) mit welcher der Steinfänger am Ansaugschlauch befestigt ist lösen.
- Den Steinfänger (2) vom unteren Teil des Ansaugschlauch entfernen.
- Mit geeignetem Lösungsmittel gründlich reinigen.



6.2 Unterhalt des Filteraufbaus

Die Filter regelmässig reinigen. Verschmutzte oder verstopfte Filter können die Filtrierung behindern und eine Reihe von Systemprobleme, wie schwache Spritzmuster, verstopfte Spritzdüsen etc, auslösen.

Reinigung (Abb. 15)

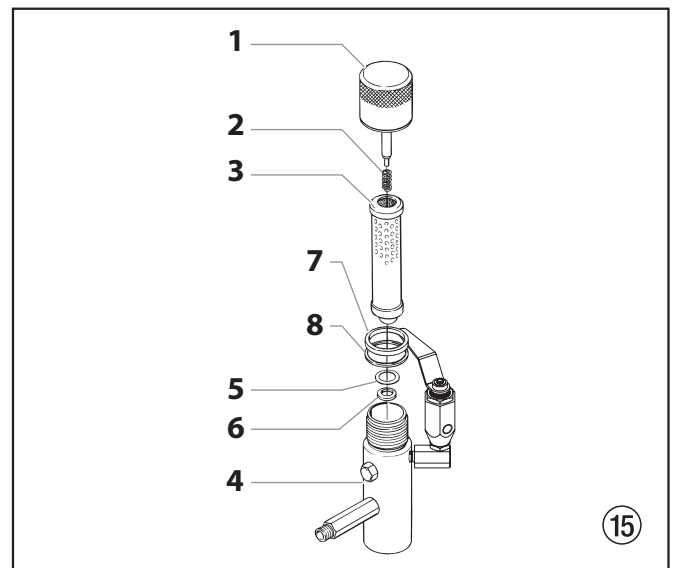
Zur Reinigung der Filter muss der folgende Ablauf befolgt werden.

- Befolgen Sie die Richtlinien zum "Druckentlastungsablauf", wie im Abschnitt „Betrieb“ dieses Handbuchs beschrieben.
- Den Filterdeckelaufbau (1) und die Feder (2) entfernen.
- Den Filtereinsatz mit Ball (3) gerade aus dem Filtergehäuse (4) herausheben.
- Die Innenseite des Filtergehäuses, den Filtereinsatz mit Ball und den Filterdeckelaufbau mit einem geeigneten Lösungsmittel reinigen.



Die Teile mit Sorgfalt behandeln, da die O-Ringe durch Schmutz, Ablagerungen, Kratzer und Kerben nicht richtig dichten könnten.

Dieser Filtereinsatz filtert von innen nach aussen. Deshalb muss der Filtereinsatz innen gründlich gereinigt werden. Den Filtereinsatz im Lösungsmittel einweichen um gehärtete Farbe zu lösen oder ersetzen.



Inspektion (Abb. 15)

Alle Teile des Filteraufbaus vor dem Wiedereinbau überprüfen.

- Den Ball innerhalb des Filtereinsatzes überprüfen. Wenn der Ball Druckschnitte oder -kratzer aufweist muss der Filtereinsatz ersetzt werden.
 - Wenn der Ball Schnitte aufweist, den PTFE O-Ring (5) mit Hilfe eines O-Ring Hakens entfernen und den Karbidsitz (6) entfernen.
 - Den Sitz auf Kerben und Rillen überprüfen. Falls der Sitz beschädigt ist, muss sie ersetzt werden.



Das Entfernen des PTFE O-Rings wird den O-Ring beschädigen und macht den Ersatz dessen erforderlich.

- Die Feder aus der Federführung (2) am Filterdeckel entfernen.
 - Die Länge der entspannten Feder messen. Misst die Feder weniger als 1.9 cm (3/4") von einem Ende zum anderen, muss sie ersetzt werden.
 - Die Feder in die Federführung zurückdrücken bis sie in die richtige Position einrastet.

- Die zwei PTFE-dichtungen auf Deformierung, Kerben oder Schnitte überprüfen. Falls nötig ersetzen.



Die PTFE-dichtungen, der PTFE O-Ring und die Feder sind im Filter Service Satz P/N 930-050 verpackt.

Wiedereinbau (Abb. 15)

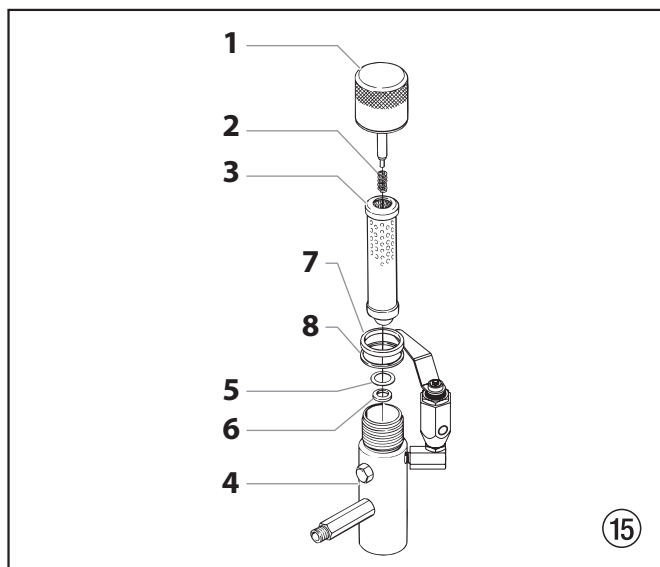
Nach der Reinigung und Ueberprüfung aller Teile den Filter wieder einbauen.

- Den Karbidsitz (6) in das Filtergehäuse (4) einsetzen. Vergewissern Sie sich, dass die schräge Seite des Sitzes nach oben zeigt.
- Den PTFE O-Ring (5) in die Rille am äusseren Durchmesser der Karbidsitz (6) anbringen.
- Den Filtereinsatz mit Ball (3) in das Filtergehäuse (4) setzen.



Die untere und obere Seite des Filtereinsatzes mit Ball sind identisch.

- Falls noch nicht getan, die Feder (2) in die Federführung im Filterdeckelaufbau (1) zurückdrücken, bis sie in der richtigen Position einrastet.
- Die dünne PTFE-dichtung (8) auf den Absatz am oberen Ende des Filtergehäuses (4) legen.
- Die dicke PTFE-dichtung (7) auf die dünne PTFE-dichtung (8) legen.
- Den Filterdeckelaufbau (1) am Filtergehäuse (4) anziehen.

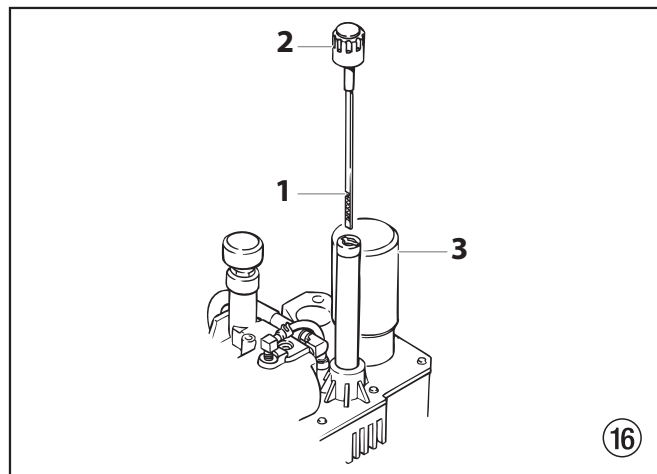


6.3 Unterhalt des hydraulischen Systems



Die Benutzung von Titan Coolflo anerkannter Hydraulikflüssigkeit (P/N 430-361) für das hydraulische System ist obligatorisch. Benutzen Sie keine andere Hydraulikflüssigkeit. Benutzung einer anderen Hydraulikflüssigkeit kann das hydraulische System schwer beschädigen und führt zum Verlust der Garantie.

- Die Hydraulikflüssigkeit täglich überprüfen. Sie soll die Markierung "voll" auf dem Messstab erreichen. Wenn der Flüssigkeitspegel tiefer liegt, nur mit von Titan Coolflo anerkannter Hydraulikflüssigkeit (P/N 430-361) auffüllen. Die Hydraulikflüssigkeit immer in einer sauberen, staubfreien Umgebung auffüllen oder ersetzen. Die Kontaminierung der Hydraulikflüssigkeit wird die Lebensdauer der hydraulischen Pumpe verkürzen und kann zum Verlust der Garantie führen.



- Die Hydraulikflüssigkeit einmal alle 12 Monate wechseln. Die alte Flüssigkeit aus dem Tank auslaufen lassen und mit 6,25 Quart Hydraulikflüssigkeit auffüllen. Das Spritzgerät mit genügend Druck um die Flüssigkeitssektion zu bedienen, starten. Das Spritzgerät unter diesem tiefen Druck für mindestens 5 Minuten laufen lassen. Dies beseitigt die Luft im System. Den Flüssigkeitsstand nach diesem Ablauf überprüfen. Nicht überfüllen.



Wenn der Hydraulikfilter (3) während dem Flüssigkeitswechsel ersetzt wird, kann es sein, dass bis zu einer Quart zusätzlicher Hydraulikflüssigkeit hinzugefügt werden muss.

- Das hydraulische System hat einen externen, ersetzbaren Hydraulikfilter (3). Den Filter einmal alle 12 Monate wechseln.
- Die Hydraulikpumpe soll nicht im Aussendienst gewartet werden. Wenn Wartung an der Hydraulikpumpe nötig wird, muss sie an Titan zurückgesandt werden.

6.4 Unterhalt des Flüssigkeitsbereichs

Wenn das Spritzgerät für eine längere Zeit nicht in Gebrauch ist, wird empfohlen, dass nach der Reinigung eine Mischung aus Kerosin und Öl als Konservierungsmittel eingesetzt wird. Dichtungen können infolge Nichtgebrauch austrocknen. Dies trifft im Speziellen auf die oberen Dichtungen, für die im Normalgebrauch die Wartung mit Piston Lube (P/N 314-480) empfohlen ist.

Wenn das Spritzgerät für eine längere Zeit nicht in Gebrauch ist, kann es nötig werden, die Pumpe mit einem Lösungsmittel zu grundieren. Es ist enorm wichtig, dass die Gewinde der Syphonschlauchkoppelung richtig abgedichtet sind. Jegliches Luftleck wird ungleichmässige Bedienung des Spritzgerätes zur Folge haben und kann das System beschädigen. Die Aufwärts- und

Abwärtsstriche sollten ungefähr gleich lang dauern (einer soll nicht schneller sein als der andere). Ein schneller Aufwärts- oder Abwärtsstrich kann darauf hinweisen, dass sich Luft im System befindet oder dass Ventile oder Sitze nicht richtig funktionieren (siehe „Fehlerbehebung“)

6.5 Einfacher Unterhalt des Motors (Benzinmotor)

- Für detaillierter Unterhalt und technische Spezifikationen verweisen wir Sie auf das separate Handbuch für Benzinmotoren.
- Alle Wartungen am Motor sollen von einem vom Motorenhersteller bevollmächtigten Händler durchgeführt werden.
- Benutzen Sie hochwertiges Motorenöl. Für den generellen Gebrauch in allen Temperaturen wird 10W30 empfohlen. Andere Klimaverhältnisse erfordern vielleicht andere Viskositäten.
- Verwenden Sie nur eine (NGK) BR-6HS (PT4900) oder (NGK) BP6ES / BPR6E Zündkerze (PT6900/PT8900/PT12000). Der Abstand in der Zündkerze sollte 0,028 bis 0,031 In. (0,7 bis 0,8 mm) betragen. Immer einen Zündkerzenschlüssel benutzen.

Täglich

1. Motorenölstand überprüfen und wenn nötig auffüllen.
2. Benzinstand überprüfen und wenn nötig auffüllen.



Zum Auftanken immer die Arbeitsschritte, die vorab in diesem Handbuch erklärt wurden ausführen.

Erste 20 Stunden

1. Motorenöl wechseln.

Alle 100 Stunden

1. Motorenöl wechseln.
2. Sedimentbecher reinigen.
3. Zündkerze reinigen und den Abstand wiederherstellen.
4. Funkenableiter reinigen.

Wöchentlich

1. Die Luftfilterabdeckung entfernen und das Element reinigen. In sehr staubiger Umgebung muss der Filter täglich überprüft werden. Das Element wenn nötig ersetzen. Ersatzelemente können beim örtlichen Händler für diesen Motorenhersteller erworben werden.

Bedienung und Wartung des Motors

1. Luftfiltermatte des Benzinmotors alle 25 Stunden oder einmal wöchentlich reinigen und ölen. Das Luftansaugsieb um das Schwungrad im Benzinmotor soll nicht mit Farbe oder Abfall aufgefüllt werden. Reinigen Sie es regelmässig. Die Lebensdauer und Arbeitsleistung des Benzinmotorenmodells beruht auf dem richtigen Betrieb des Benzinmotors. Das Öl alle 100 Stunden wechseln. Nichteinhaltung dessen kann zu Überhitzung des Motors führen. Beachten Sie das mitgelieferte Bedienungshandbuch des Herstellers.
2. Um Benzin zu sparen, Lebensdauer zu verlängern und die Leistung des Spritzgerätes zu bewahren soll der Benzinmotor immer auf der tiefstmöglichen Drehzahl laufen, auf der er gleichmässig und ohne Anstrengung läuft und die gewünschte Menge Farbe ausstösst, die für die jeweilige Malarbeit erforderlich ist. Höhere Drehzahlen erzeugen nicht höheren Arbeitsdruck. Der Benzinmotor ist mit der Hydraulikpumpe durch eine Seilrollenkombination verbunden, die dazu bestimmt ist, den vollen Farbausstoss bei maximaler Drehzahl zu liefern.
3. Die Garantie für die Benzinmotoren ist auf den Originalhersteller beschränkt.

7. Fehlerbehebung

7.1 Airless-Spritzpistole

Problem	Grund	Lösung
A. Spuckende Spritzpistole	<ol style="list-style-type: none"> 1. Luft im System 2. Verschmutzte Spritzpistole 3. Nadelbaugruppe nicht mehr angepasst 4. Sitz ist zerbrochen oder angeschlagen 	<ol style="list-style-type: none"> 1. Verbindungen auf Luftleck überprüfen. 2. Zerlegen und reinigen. 3. Ueberprüfen und abstimmen. 4. Ueberprüfen und ersetzen.
B. Spritzpistole lässt sich nicht absperren	<ol style="list-style-type: none"> 1. Abgenutzte oder zerbrochene Nadel & Sitz 2. Nadelbaugruppe nicht mehr angepasst 3. Verschmutzte Spritzpistole 	<ol style="list-style-type: none"> 1. Ersetzen. 2. Abstimmen. 3. Reinigen.
C. Spritzpistole spritzt nicht	<ol style="list-style-type: none"> 1. Keine Farbe 2. Verstopfter Filter oder Düse 3. Zerbrochene Nadel in der Spritzpistole 	<ol style="list-style-type: none"> 1. Flüssigkeitsvorrat überprüfen. 2. Reinigen. 3. Ersetzen.

7.2 Flüssigkeitsbereich

Problem	Grund	Lösung
A. Pumpe gibt Farbe nur beim Aufwärtsstrich ab oder geht langsam aufwärts und schnell abwärts (üblicherweise auch downstroke dive genannt)	<ol style="list-style-type: none"> 1. Unterer Fussventillball kann sich nicht setzen, da entweder verschmutzt oder abgenutzt 2. Material ist zu dickflüssig um angesaugt zu werden. 3. Luft tritt an der Ansaugseite ein oder beschädigter Syphonschlauch. Der Syphon ist vielleicht zu klein für dickeres Material. 	<ol style="list-style-type: none"> 1* Fussventillbaugruppe entfernen. Reinigen und überprüfen. Fussventil testen indem es mit Wasser gefüllt wird; falls der Ball den Sitz nicht abdichtet, den Ball ersetzen. 2. Material verdünnen — Für die richtigen Verdünnungsverfahren den Hersteller kontaktieren. 3. Alle Verbindungen zwischen Pumpe und Farbbehälter festziehen. Falls beschädigt, ersetzen. Auf ein Syphonset mit grösserem Durchmesser wechseln.
B. Pumpe gibt Farbe nur beim Abwärtsstrich ab oder geht schnell aufwärts und langsam abwärts	<ol style="list-style-type: none"> 1. Oberer Ball kann sich nicht setzen, da entweder verschmutzt oder abgenutzt 2. Untere Dichtungen sind abgenutzt 	<ol style="list-style-type: none"> 1* Den oberen Sitz und Ball mit Wasser testen. Falls der Ball nicht abdichtet, den Sitz ersetzen. 2* Dichtungen ersetzen falls sie abgenutzt ist.
C. Pumpe bewegt sich schnell auf- und abwärts, gibt Farbe ab	<ol style="list-style-type: none"> 1. Materialkübel ist leer oder das Material ist zu dickflüssig um durch den Syphonschlauch zu fließen 2. Unterer Ball klebt an der Fussventilsitz 3. Syphonschlauch ist geknickt oder lose 	<ol style="list-style-type: none"> 1. Mit neuem Material auffüllen. Wenn es zu dickflüssig ist, den Syphonschlauch entfernen, Flüssigkeitsbereich in das Material eintauchen und Pumpe zum Grundieren anstellen. Verdüner dem Material beimischen. Auf ein grösseres Syphonset umstellen. Auslaufventil öffnen um Luft abzulassen und Pumpe neu starten. 2* Fussventil entfernen. Ball und Sitz reinigen. 3. Gerade legen.
D. Pumpe bewegt sich langsam auf- und abwärts wenn die Spritzpistole abgestellt ist	<ol style="list-style-type: none"> 1. Lose Verbindungen. Auslaufventil ist teilweise offen oder Auslaufventil ist abgenutzt. Unterer Dichtungssitz ist abgenutzt. 2. Oberer und/oder unterer Ball setzt sich nicht 	<ol style="list-style-type: none"> 1. Alle Verbindungen zwischen Pumpe und Spritzpistole überprüfen. Wenn nötig festziehen. Falls Material aus dem Ablassschlauch läuft, Ablassventil schliessen oder wenn nötig ersetzen. Wenn keine der obenerwähnten Lösungen erforderlich ist, die untere Dichtung ersetzen. 2* Bälle neu setzen indem sie gereinigt werden.
E. Ungenügend Flüssigkeitsdruck in der Spritzpistole	<ol style="list-style-type: none"> 1. Spritzpistolendüse ist abgenutzt 2. Abflussfilter oder Spritzpistolenfilter ist verstopft 3. Tiefe Spannung und/oder unzureichende Stromstärke 4. Schlauchdurchmesser ist zu klein oder Schlauchlänge zu lang 	<ol style="list-style-type: none"> 1. Ersetzen. 2. Filter reinigen oder ersetzen. 3. Elektrizitätsservice überprüfen. Wenn nötig korrigieren. 4. Schlauchdicke vergrössern um den Druckabfall im Schlauch zu vermindern und/oder Schlauchlänge verringern.
F. Pumpe klappert beim Aufwärts- oder Abwärtsstrich	<ol style="list-style-type: none"> 1. Lösungsmittel brachte obere Dichtung zum anschwellen 	<ol style="list-style-type: none"> 1* Dichtung ersetzen.

* Vollständige Anweisungen zu den Verfahren in diesem Abschnitt finden Sie im Servicehandbuch (Teilenummer 2439109, online verfügbar).

7.3 Hydraulikmotor*

Problem

- A. Oelmotor würgt unten ab (keine aussergewöhnlichen Hitze Probleme)

- B. Tiefer Druck (in Ordnung beim Abwärtsstrich, träge beim Aufwärtsstrich – grosse Hitze)

- C. Tiefer Druck (in Ordnung beim Abwärtsstrich, träge beim Aufwärtsstrich – grosse Hitze)

ANMERKUNG: Der Motor müht sich beim Aufwärtsstrich ab und geht in den Leerlauf bei Beginn des Abwärtsstriches.

- D. Tiefer Druck (Beide Strichrichtungen – grosse Hitze)

ANMERKUNG: Der Motor müht sich bei Beginn beider Strichrichtungen ab.

Grund

1. Kolbensitz der Flüssigkeitspumpe wurde aufgeschraubt
2. Ventil klebt oder die Stangenschaltungsbaugruppe des Oelmotors hat sich abgesondert

1. Ventil klebt
2. Federführung zerbrochen (Ventilstangenbaugruppe)
3. Feder oder Ventilstange zerbrochen
4. Luft im Hydraulikmotor

5. Luft in der Flüssigkeitspumpe

1. Kolbendichtung zerstört

2. Riss im Kolben

1. Mittlere O-Ringe am Spulventil zerstört

2. Schlechte Hydraulikpumpe

Lösung

1. Wenn Verbindungsstange in Ordnung ist, Zylinderkopfstecker entfernen und Ventil nach unten drücken. Stecker ersetzen und Maschine neu starten. Wenn die Maschine nach oben zyklert und dann unten anhält, liegt das Problem beim Kolbensitz in der Flüssigkeitspumpe. Kolbensitz überprüfen. Reparieren oder wenn nötig ersetzen. Wenn der Kolbensitz in Ordnung ist und das Problem nicht behoben ist, den Oelmotor überprüfen.
2. Ventil entfernen und auf Kratzer und grobe Bewegung beim Auf- und Abgleiten überprüfen. Ventil und Spule in diesem Zustand ersetzen. In diesem Fall die Stange auf mögliche Abtrennung von der Spule überprüfen. Stange auf mögliche Abtrennung überprüfen.

1. Ventil entfernen und auf Kratzer und grobe Bewegung beim Auf- und Abgleiten überprüfen. Ventil und Spule in diesem Zustand ersetzen.
2. Ventilstangenbaugruppe ersetzen.

3. Ventilstangenbaugruppe ersetzen.
4. Ventil neu einstellen. Luftentleerung, wird normalerweise erreicht, indem der Motor und die Pumpenbaugruppe während 5 – 10 Minuten unter leichtem Druck zyklieren. Gründe für den Lufteintritt überprüfen:
 - Lockere Einbauteile im Tank.
 - Lockere Einbauteile in der Hydraulikpumpe.
 - Lockere Schlauchverbindungen.
 - Oeltiefstand im Reservoir.
5. Wenn die Flüssigkeitspumpe Luft aufnimmt, kann der Fluss der Flüssigkeit im oberen Stand wahllos auftreten. Ventil nachstellen. Luft in der Flüssigkeitspumpe ist zu vermeiden.

1. Vor der Demontage des Oelmotors die Maschine starten. Während die Pumpe unter Druck läuft, den Hydraulikzylinder berühren, um festzustellen ob der Zylinder oder Zylinderkopf heisser wird. Dies hilft zu ermitteln, ob die Kolbendichtung zerstört oder die Kolbenmutter zerbrochen ist. Wenn der Zylinderkopf heiss ist, die O-Ringe am Spulventil überprüfen.
2. Oelmotor demontieren und Kolgendichtungen, Zylinderbohrung und Kolbenmutter überprüfen. Spezielle Aufmerksamkeit ist der Kolbenmutter zu schenken. Sie kann angerissen sein, was äusserlich nicht erkennbar ist.

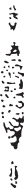
1. Vor der Demontage des Oelmotors die Maschine starten. Während die Pumpe unter Druck läuft, den Hydraulikzylinder berühren, um festzustellen ob der Zylinder oder Zylinderkopf heisser wird. Dies hilft zu ermitteln, ob der mittlere O-Ring am Spulventil zerstört ist. Wenn heiss, den O-Ring entfernen und ersetzen.
2. Hydraulikpumpe ersetzen.

* Vollständige Anweisungen zu den Verfahren in diesem Abschnitt finden Sie im Servicehandbuch (Teilenummer 2439109, online verfügbar).

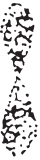
7.4 Spritzmuster

Problem

A. Schweif



B. Stundenglas



C. Verzerrt



D. Muster ausgedehnt und zusammengedrückt (Schub)



E. Rundes Muster



Grund

1. Mangelhafte Flüssigkeitszufuhr

1. Mangelhafte Flüssigkeitszufuhr

1. Verstopfte oder abgenutzte Düse

1. Anschlagleck
2. Pulsierende Flüssigkeitszufuhr

1. Abgenutzte Düse
2. Flüssigkeit zu dickflüssig für Düse

Lösung

1. Flüssigkeit atomisiert nicht richtig: Flüssigkeitsdruck vergrößern. Düse mit einer kleineren Düse auswechseln. Flüssigkeitsviskosität verringern. Schlauchlänge verringern. Spritzpistole und Filter reinigen. Anzahl Spritzpistolen, die von der Pumpe bedient werden reduzieren.

1. Gleich wie oben.

1. Düse reinigen oder ersetzen.

1. Ansaugschlauch auf Leck überprüfen.
2. Düse mit einer kleineren Düse auswechseln. Pulsschlagdämpfer im System installieren oder existierender Dämpfer ablassen. Anzahl Spritzpistolen die von der Pumpe bedient werden reduzieren. Beschränkungen im System beseitigen; Düsengitter reinigen wenn Filter benutzt wird.

1. Düse ersetzen.
2. Druck erhöhen. Material verdünnen. Düse auswechseln.

Garantie

Titan Tool, Inc., ("Titan") garantiert, dass zum Zeitpunkt der Lieferung an den Käufer („Endverbraucher“) die Ausrüstung, die von dieser Garantie abgedeckt ist, frei von Material- und Fabrikationsfehler ist. Mit Ausnahme spezieller, eingeschränkter oder erweiterter Garantie, die Titan bekannt gegeben hat, ist die Gewährleistungsverpflichtung von Titan beschränkt auf den kostenlosen Austausch oder Nachbesserung für jene Teile, die, nachdem dies Titan nachvollziehbar nachgewiesen wurden, binnen zwölf (12) Monaten nach Verkauf an den Endverbraucher sich als fehlerhaft erweisen. Die Garantie greift nur, wenn das Gerät gemäß den Empfehlungen und Anweisungen von Titan installiert und bedient wurde.

Diese Garantie gilt nicht bei Beschädigung oder Abnutzung durch Abrieb, Korrosion oder unsachgemäße Benutzung, Unachtsamkeit, Unfall, unsachgemäße Installation, Verwendung von Ersatzteilen, die nicht von Titan stammen bzw. wenn Änderungen an dem Gerät vorgenommen wurden wodurch eine normale Benutzung beeinträchtigt wird

Defekte Teile müssen an den autorisierten Titan-Händler/ die autorisierte Titan-Niederlassung zurückgeschickt werden. Alle Transportkosten, einschließlich der Rücksendung an die Fabrik, falls erforderlich, sind vom Endverbraucher zu tragen und müssen im Voraus bezahlt werden. Repariertes oder ausgetauschtes Zubehör wird auf Kosten des Endverbrauchers nach Vorauszahlung der Transportkosten zurückgeschickt

ES GIBT SONST KEINE ANDERE MÄNGELGARANTIE. TITAN SCHLIESST HIERMIT ALLE UND JEDE STILLSCHWEIGENDE GARANTIE AUS, EINSCHLIESSLICH, JEDOCH NICHT BESCHRÄNKT AUF MARKTFÄHIGKEIT UND EIGNUNG FÜR EINEN BESTIMMTEN ZWECK, SOWEIT GESETZLICH ZULÄSSIG. DIE DAUER ALLER STILLSCHWEIGENDEN GARANTIEN, DIE NICHT AUSGESCHLOSSEN WERDEN KÖNNEN, SIND BESCHRÄNKT AUF DIE IN DER AUSDRÜCKLICHEN GARANTIE FESTGELEGTE DAUER. TITAN HAFTET IN KEINER WEISE ÜBER DEN KAUFPREIS HINAUS. DIE HAFTUNG FÜR FOLGESCHÄDEN, ZUFÄLLIGE SCHÄDEN ODER SPEZIELLE SCHÄDEN UNTER JEDER UND ALLEN GARANTIEN IST AUSGESCHLOSSEN SOWEIT GESETZLICH ZUGELASSEN.

TITAN ÜBERNIMMT KEINE GARANTIE UND SCHLIESST ALLE STILLSCHWEIGENDEN GARANTIEN AUF MARKTFÄHIGKEIT UND EIGNUNG FÜR EINEN BESTIMMTEN ZWECK BEZÜGLICH ZUBEHÖR, AUSRÜSTUNG, MATERIALIEN UND KOMPONENTEN AUS, DIE VON TITAN VERKAUFT, JEDOCH NICHT HERGESTELLT WURDEN. JENE VON TITAN VERKAUFTEN, JEDOCH NICHT VON TITAN HERGESTELLTEN KOMPONENTEN (WIE Z.B. GASMOTOREN, SCHALTER, SCHLÄUCHE, ETC.) UNTERLIEGEN DER GEWÄHRLEISTUNG DES JEWEILIGEN HERSTELLERS, SOFERN DIESE GEWÄHRT WERDEN. TITAN UNTERSTÜTZT DEN KÄUFER IN ANGEMESSENER WEISE, WENN ES UM ANSPRÜCHE WEGEN DER VERLETZUNG VON GEWÄHRLEITUNGEN GEHT.

D

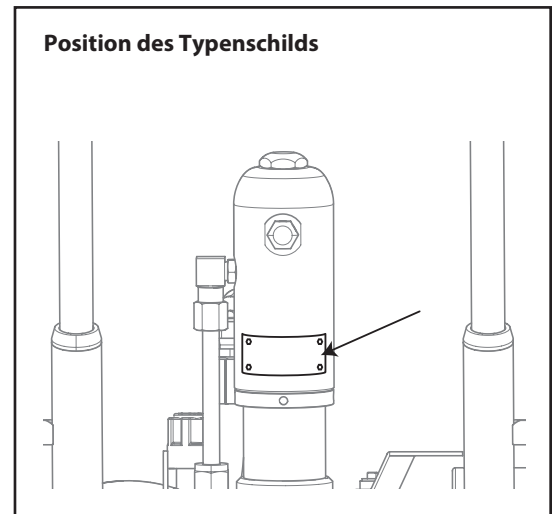
Entsorgungshinweis:

Gemäß der europäischen Richtlinie 2012/19/EU zur Entsorgung von Elektro-Altgeräten, und deren Umsetzung in nationales Recht, ist dieses Produkt nicht über den Hausmüll zu entsorgen, sondern muss der umweltgerechten Wiederverwertung zugeführt werden!



Ihr Titan-Altgerät wird von uns, bzw. unseren Handelsvertretungen zurückgenommen und für Sie umweltgerecht entsorgt. Wenden Sie sich in diesem Fall an einen unserer Service-Stützpunkte, bzw. Handelsvertretungen oder direkt an uns.

Position des Typenschilds



EU Konformitätserklärung

Wir erklären in alleiniger Verantwortung, dass dieses Produkt den folgenden einschlägigen Bestimmungen entspricht:

2006/42/EG

Angewandte harmonisierte Normen:

EN ISO 12100:2012, EN 1953:2013

Die CE-Konformitätsbescheinigung liegt dem Produkt bei.

Sie kann bei Bedarf mit der Bestellnummer **2338028**

nachbestellt werden.

Attention!

Danger de blessure par injection de produit!

Les groupes "Airless" produisent des pressions de projection extrêmement élevées.

**1**

Ne jamais exposer les doigts, les mains ou d'autres parties du corps au jet!

Ne jamais diriger le pistolet vers soi, vers d'autres personnes ou vers des animaux.

Utiliser toujours le pistolet muni de sa protection.

Ne traitez pas une blessure par injection comme simple coupure.

En cas de blessure de la peau par l'injection de peintures ou de solvants, consultez sans retard un médecin. Renseignez le médecin sur la nature de la peinture ou du solvant utilisés.

2

Avant toute mise en service, respecter les points suivants conformément aux instructions de service:

1. Ne jamais utiliser un équipement défectueux.
2. Verrouiller le pistolet Titan par le levier de sécurité à la gâchette.
3. Assurer la mise à la terre correcte.
4. Vérifier et respecter les pressions admissibles pour le flexible et le pistolet.
5. Contrôler l'étanchéité de tous les raccords.

3

Respecter sans faute les instructions relatives au nettoyage et à l'entretien réguliers du matériel.

Avant toute intervention sur le matériel et pendant chaque interruption de travail, observer les règles suivantes:

1. Evacuer la pression du pistolet et du flexible.
2. Verrouiller le pistolet Titan par le levier de sécurité à la gâchette.
3. Arrêter le groupe.

Ne négligez pas la sécurité!

Contenu

	Page
1. Prescriptions de sécurité pour la projection Airless	45
1.1 Explication des symboles utilisés	45
1.2 Sécurité en électricité	46
1.3 Sécurité du moteur à essence.....	47
1.4 Ravitaillement (moteur à essence).....	48
1.5 Utilisation sur un terrain incliné.....	48
2. Généralités d'utilisation	49
2.1 Domaines d'utilisation.....	49
2.2 Produits de revêtement	49
3. Description du matériel	49
3.1 Le procédé Airless	49
3.2 Fonctionnement du matériel.....	49
3.3 Illustration groupes PT avec moteur à essence.....	50
3.4 Illustration groupes PT avec moteur électrique.....	51
3.5 Caractéristiques techniques.....	52
3.6 Tableau de recommandation pour la buse du pistolet de pulvérisation sans air	53
3.7 Liste des manuels d'instructions.....	53
4. Fonctionnement	54
4.1 Installation	54
4.2 Préparation d'un nouveau vaporisateur.....	55
4.3 Préparation avant de peindre.....	56
4.4 Peinture.....	57
4.5 Procédure de décharge de pression	57
5. Nettoyage	58
5.1 Consignes spéciales de nettoyage lors de l'utilisation du pistolet avec des solvants inflammables	58
5.2 Nettoyage du pulvérisateur	58
5.3 Nettoyage d'une buse obstruée	58
6. Entretien	59
6.1 Entretien quotidien	59
6.2 Entretien du filtre	59
6.3 Entretien du système hydraulique.....	60
6.4 Entretien de la section des fluides	60
6.5 Entretien de base du moteur (moteur à essence)	61
7. Dépannage	62
7.1 Pistolet sans air.....	62
7.2 Section des liquides.....	62
7.3 Moteurs hydrauliques.....	63
7.4 Répartition de la pulvérisation	64
Garantie	65
Accessoires pour groupes PT	66
Ensembles de collecteur de pistolet (facultatifs).....	68/69

1. Prescriptions de sécurité pour la projection Airless

1.1 Explication des symboles utilisés

Veillez lire et être sûr de comprendre toutes les informations contenues dans ce manuel avant d'utiliser l'appareil. Lorsque vous pénétrez dans une zone qui contient les symboles suivants, soyez particulièrement vigilant et vérifiez que les systèmes de sécurité sont bien installés.

	Ce symbole indique un risque potentiel pouvant entraîner des blessures graves ou même mortelles. Vous trouverez ci-après d'importantes consignes de sécurité.
	Ce symbole indique un risque potentiel pour vous ou pour l'appareil. D'importantes informations sur la manière d'éviter tout dommage de l'équipement ou d'éviter des blessures légères sont indiquées ci-après.
	Danger de blessure par injection de produit
	Danger d'incendie
	Risque d'explosion
	Vapeurs toxiques et/ou inflammables. Danger d'intoxication et de brûlure
	Les notes contiennent des informations qui doivent être consciencieusement respectées.
	AVERTISSEMENT! AVERTISSEMENT EN FONCTION DE LA PROPOSITION 65 DE LA CALIFORNIE Cet appareil peut vous exposer à des produits chimiques, y compris le plomb, reconnus par l'État de la Californie pour causer le cancer, des anomalies congénitales ou d'autres troubles de la reproduction. L'échappement des moteurs des modèles ayant un moteur à essence peut vous exposer au monoxyde de carbone, reconnu par l'État de la Californie pour causer le cancer, des anomalies congénitales ou d'autres troubles de la reproduction. Pour de plus amples renseignements, consultez le site Web www.P65warnings.ca.gov .



RISQUE : Blessure par projection

Un courant de liquide à haute pression produit par cet équipement peut percer la peau et les tissus sous-cutanés, et entraîner des blessures graves ou une amputation.

Ne traitez pas une blessure par injection comme simple coupure. En cas de blessure de la peau par l'injection de peintures ou de solvants, consultez sans retard un médecin. Renseignez le médecin sur la nature de la peinture ou du solvant utilisés.

PRÉVENTION :

- NE dirigez JAMAIS le pistolet vers une partie du corps, quelle qu'elle soit.
- NE laissez JAMAIS une partie du corps entrer en contact avec le flux de liquide. NE laissez JAMAIS votre corps au contact d'une fuite dans le tuyau de liquide.
- NE placez JAMAIS vos mains devant le pistolet. Les gants ne constituent pas un rempart suffisant contre les blessures par projection.
- Bloquez TOUJOURS la gâchette du pistolet, éteignez la pompe et vidangez toute la pression avant toute opération d'entretien, avant de nettoyer une buse ou une protection, avant de changer une buse ou si vous laissez l'appareil sans surveillance. La pression ne s'évacue pas simplement en éteignant le moteur. La vanne prime/SPRAY ou la vanne de décharge de la pression doivent être placées dans les positions souhaitées pour vidanger la pression.
- Conservez TOUJOURS la protection de la buse en place lorsque vous pulvérisez. La protection de la buse fournit une certaine protection mais il s'agit principalement d'un système d'alarme.
- Enlevez TOUJOURS la buse de pulvérisation avant de rincer ou de nettoyer le système.
- N'utilisez JAMAIS un pistolet pulvérisateur sans blocage de gâchette et sans protection de gâchette.
- Tous les accessoires doivent pouvoir travailler à la pression de travail maximale du pulvérisateur ou au-dessus. Ceci concerne les buses de pulvérisation, les pistolets, les rallonges et le tuyau.



RISQUE : Flexible à haute pression

Le tuyau de peinture peut présenter des fuites dues à l'usure, aux pincements et aux mauvaises utilisations. Toute fuite peut entraîner une projection de matériau dans la peau. Vérifiez soigneusement le tuyau avant chaque utilisation.

PRÉVENTION :

- Il faut éviter de trop plier le flexible; le plus petit rayon ne doit pas être inférieur à 20 cm.
- Protéger le flexible contre le passage de véhicules et éviter le frottement sur des arêtes vives.
- Remplacer immédiatement tout tuyau à haute pression endommagé.
- Ne jamais essayer de réparer un flexible endommagé!
- La charge électrostatique du pistolet et du flexible est évacuée par ce dernier. Pour cette raison, la résistance électrique entre les raccords du flexible doit être égale ou inférieure à 1 mégohm.
- Pour des raisons de fonctionnement, de sécurité et de durée utile utiliser exclusivement des flexibles à haute pression originaux de Titan.
- Avant chaque utilisation, vérifiez que les tuyaux ne présentent ni coupures, ni fuites, ni signes d'abrasion ou de renflement du revêtement. Vérifiez l'état et le mouvement des raccords. Remplacez immédiatement les tuyaux s'ils sont en mauvais état. Ne réparez jamais un tuyau de peinture. Remplacez-le par un tuyau à haute-pression relié à la masse.

- Assurez vous que le tuyau à air et les tuyaux de pulvérisation sont disposés de façon à éviter les risques de glissade, de débouchement ou de chute.



RISQUE : Explosion et incendie

Les vapeurs inflammables, telles que les vapeurs de solvant et de peinture, dans une zone de travail peuvent s'enflammer ou exploser.

PRÉVENTION :

- Servez-vous de l'équipement dans un endroit bien aéré. Faites circuler beaucoup d'air frais dans l'endroit afin d'éviter l'accumulation de vapeurs inflammables dans la zone de pulvérisation. Entrez l'ensemble de la pompe dans un endroit bien aéré. Ne pulvérisez pas l'ensemble de la pompe.
- Modèles électriques uniquement - N'utilisez pas de peintures ayant un point d'éclair sous 38 °C (100 °F). Le point d'éclair est la température à laquelle un liquide peut produire suffisamment de vapeurs pour s'enflammer.
- Modèles à essence uniquement - Ne faites jamais le plein lorsque le moteur est en marche ou chaud. Éteignez le moteur et laissez-le refroidir. L'essence est inflammable. Elle peut s'enflammer ou exposer si on en renverse sur une surface chaude.
- Éliminez toutes les sources d'inflammation, comme les veilleuses, les cigarettes, les lampes électriques portatives et les toiles de protection en plastique (risque d'arc statique).
- Gardez la zone de travail exempte de débris, y compris des solvants, des chiffons et d'essence.
- Ne branchez ou ne débranchez pas les cordons d'alimentation, ne mettez pas l'appareil en marche, n'allumez ou n'éteignez pas les lumières lorsque des vapeurs inflammables sont présentes.
- Mettez de terre l'équipement et les objets conducteurs dans la zone de travail. Assurez-vous que le câble de mise à la terre (non inclus) relie la patte de mise à la terre à une prise de terre réelle.
- Utilisez uniquement des tuyaux mis à la terre.
- Tenez le pistolet de pulvérisation fermement contre le côté d'un seau mis à la terre lorsque vous pulvérisez dans le seau.
- S'il y a production d'étincelles statiques ou si vous ressentez un choc, arrêtez le fonctionnement immédiatement.
- Soyez au courant du contenu de la peinture et des solvants à pulvériser. Lisez toutes les fiches signalétiques (FS) et les étiquettes des récipients de peinture et de solvant. Suivez les consignes de sécurité du fabricant de peinture et du solvant.
- N'utilisez pas de peinture ou de solvant contenant des hydrocarbures hydrogénés, comme du chlore, de l'eau de Javel, un agent anti-moisissure, du chlorure de méthylène et du trichloroéthane. Ils ne sont pas compatibles avec l'aluminium. Communiquez avec le fournisseur de revêtement au sujet de la compatibilité du produit avec l'aluminium.
- Gardez un extincteur dans la zone de travail.



RISQUE : Vapeurs dangereuses

Les peintures, solvants, et autres matériaux peuvent être nocifs en cas d'inhalation ou de contact avec la peau. Les vapeurs peuvent entraîner de sérieuses nausées, des syncopes ou des empoisonnements.

PRÉVENTION :

- Pendant le travail de protection porter un masque respiratoire. Lisez attentivement toutes les instructions fournies avec le masque pour vous assurer qu'il fournit bien la protection nécessaire.
- Tous les règlements locaux en matière de protection contre les vapeurs toxiques doivent être respectés.

- Portez des protections oculaires.
- Pour protéger la peau il est nécessaire de porter des vêtements de protection, des gants et d'utiliser éventuellement une crème de protection de la peau. Observer les prescriptions des fabricants au sujet des produits de peinture, de nettoyage et des solvants pendant la préparation, la mise en oeuvre et le nettoyage du matériel.



RISQUE : Généralités -

peut entraîner des blessures sévères ou des dégâts matériels.

PRÉVENTION :

- Respectez toutes les réglementations locales et nationales concernant la ventilation, la prévention des incendies et le fonctionnement.
- Lorsque vous appuyez sur la détente, il se produit un mouvement de recul de la main qui tient le pistolet pulvérisateur. Le recul du pistolet pulvérisateur est particulièrement puissant lorsque la buse a été démontée et lorsque la pompe sans air a été réglée sur une pression élevée. Lors du nettoyage sans buse, réglez donc le bouton de contrôle de la pression sur la pression minimale.
- N'utilisez que des pièces de rechange d'origine. L'utilisateur assume tous les risques s'il utilise des pièces qui ne correspondent pas aux spécifications minimales et aux dispositifs de sécurité du fabricant de la pompe.
- Respectez TOUJOURS les consignes du fabricant du matériel pour manipuler la peinture et les solvants en toute sécurité.
- Nettoyez immédiatement les matériaux tombés et le solvant déversé accidentellement, afin d'éviter les risques de glissade.
- Munissez-vous d'une protection auditive. Le bruit émis par cet appareil peut dépasser les 85 dB(A).
- Ne laissez jamais cet outil sans surveillance. Tenez-le hors de portée des enfants ou des personnes non familiarisées avec le fonctionnement des équipements sans air.
- Ne vaporisez pas à l'extérieur en cas de vent.
- L'appareil et tous ses liquides (p. ex., huile hydraulique) doivent être détruits sans danger pour l'environnement.

1.2 Sécurité en électricité

Les modèles électriques doivent être reliés à la terre. En cas de court-circuit électrique, la mise à la terre réduit les risques de choc électrique en fournissant un fil d'échappement pour le courant électrique. Ce produit est équipé d'un câble avec un fil de mise à la terre et une fiche de mise à la terre adaptée. Branchement au réseau seulement par un point d'alimentation spécial, par exemple par un disjoncteur à courant de défaut de INF < 30 mA.



DANGER — Les travaux ou réparations sur l'équipement électrique doivent être confiés uniquement à un électricien qualifié. Nous déclinons toute responsabilité en cas d'installation inappropriée. Arrêter l'appareil. Avant toutes réparations, tirer la fiche de la prise de courant.

Danger de court-circuit par la pénétration d'eau dans l'équipement électrique. Ne jamais nettoyer le matériel avec un jet d'eau ou de vapeur sous haute pression.

Travaux et réparations sur l'équipement électrique:

Faire effectuer ces interventions uniquement par un électricien. Nous déclinons toute responsabilité dans le cas d'une installation incorrecte.

Température de fonctionnement

Cet équipement fonctionnera correctement à sa température ambiante visée, entre +10°C et +40°C au moins.

Humidité relative

Cet équipement fonctionnera correctement dans un milieu ayant une humidité relative de 50 %, à +40°C. Une humidité relative plus élevée

peut être permise à des températures plus basses.

L'acheteur doit prendre des mesures afin d'éviter les effets destructeurs de la condensation accidentelle.

Altitude

Cet équipement fonctionnera correctement jusqu'à 2 100 m au-dessus du niveau moyen de la mer.

Transport et entreposage

Cet équipement résistera aux températures de transport et d'entreposage entre -25°C et +55°C et jusqu'à +70°C pour des périodes courtes, ou il est protégé pour résister à ces températures.

Son emballage prévient les dommages des effets de l'humidité, de la vibration et des coups normaux.

1.3 Sécurité du moteur à essence

1. Les moteurs à essence sont conçus pour offrir un service sûr et stable à condition d'être utilisés conformément aux instructions. Lisez attentivement et assurez-vous de bien comprendre le Manuel d'utilisateur du fabricant du moteur avant d'utiliser le moteur. Dans le cas contraire, vous pourriez vous blesser ou endommager l'équipement.
2. En vue d'éviter tout risque d'incendie et de fournir une ventilation adéquate, conservez le moteur à 1 mètre (3 pieds) minimum de tout bâtiment et de tout autre équipement pendant son fonctionnement. Ne placez pas d'objets inflammables à proximité du moteur.
3. Les personnes qui n'utilisent pas l'appareil doivent s'en éloigner afin d'éviter le risque de brûlures des composantes chaudes du moteur ou le danger de blessures provenant de l'équipement utilisé pour faire fonctionner l'appareil.
4. Sachez comment arrêter rapidement le moteur, et veillez à bien comprendre le fonctionnement de toutes les commandes. N'autorisez jamais personne à utiliser le moteur sans prendre connaissance des instructions adéquates.
5. L'essence est un produit extrêmement inflammable pouvant exploser sous certaines conditions.
6. Faites le plein d'essence dans une zone suffisamment ventilée, le moteur à l'arrêt. Ne fumez pas et évitez tout flamme ou étincelle dans la zone d'alimentation en essence ou dans le lieu où est stockée l'essence.
7. Ne remplissez pas trop le réservoir d'essence. Après avoir fait le plein d'essence, assurez-vous que le couvercle du réservoir est correctement et solidement refermé.
8. Faites attention à ne pas répandre de l'essence lors du remplissage du réservoir. Les vapeurs d'essence ou l'essence répandue sont susceptibles de s'enflammer. Si vous venez à déverser de l'essence, assurez-vous que la zone est bien sèche avant de mettre le moteur en marche.
9. Ne faites jamais fonctionner le moteur dans un espace clos ou confiné. L'échappement contient du monoxyde de carbone toxique ; toute exposition pourrait occasionner une perte de connaissance, voire entraîner la mort.
10. Le pot d'échappement devient extrêmement chaud pendant le fonctionnement et reste chaud pendant un certain moment même après l'arrêt du moteur. Veillez à ne pas toucher le pot d'échappement lorsqu'il est chaud. En vue d'éviter de sérieuses brûlures ou des risques d'incendie, laissez refroidir le moteur avant de le transporter ou de le ranger à l'intérieur.
11. Ne déplacez / transportez jamais le pulvérisateur lorsqu'il y a de l'essence dans le réservoir.



N'UTILISEZ PAS cet appareil pour pulvériser de l'eau ou de l'acide.



Attention

Ne vous servez pas de la poignée du chariot pour soulever lors du chargement ou du déchargement. L'appareil est très lourd. Trois personnes sont nécessaires pour les soulever.

1.4 Ravitaillement (moteur à essence)



L'essence est extrêmement inflammable et explosive dans certaines conditions.



Attention

Ne pas trop remplir le réservoir à essence. Le couvercle du réservoir pourrait s'obstruer des particules dans l'essence et causer un vide. Lire les consignes de remplissage dans le mode d'emploi du moteur à essence.

Spécifications du carburant

- Utilisez une essence automobile ayant un indice d'octane d'au moins 86, ou un indice d'octane recherche d'au moins 91. L'utilisation d'une essence ayant un indice d'octane inférieur peut causer un « cognement » ou une « détonation » (un bruit d'ébranlage métallique) tenace qui, s'il est grave, peut endommager le moteur.



S'il y a un « cognement » ou une « détonation » à une vitesse constante avec une charge normale, utilisez une autre marque d'essence. Si vous obtenez toujours un cognement ou une détonation, consultez un distributeur agréé du fabricant de moteurs. Le fait de ne pas suivre cette directive constitue un abus. Les dommages causés par l'abus ne sont pas couverts par la garantie restreinte du fabricant du moteur.

Il se peut que vous entendiez parfois une détonation légère pendant le fonctionnement avec des charges lourdes. Il n'y a aucune raison de s'inquiéter, cela signifie simplement que votre moteur fonctionne de façon efficiente.

- L'essence sans plomb produit moins de dépôts du moteur et de la bougie, et rallonge la durée de vie des composantes du système d'échappement.
- Ne jamais utiliser de l'essence éventée ou contaminée, ou un mélange d'huile et d'essence. Évitez de laisser entrer de la saleté, de la poussière ou de l'eau dans le réservoir à essence.

Essences contenant de l'alcool

Si vous décidez d'utiliser une essence qui contient de l'alcool (gasohol), assurez-vous qu'elle a au moins un indice d'octane correspondant à celui qui est recommandé par le fabricant du moteur. Il existe deux types de « gasohol » : un type contient de l'éthanol, tandis que l'autre contient du méthanol. N'utilisez pas un gasohol qui contient plus de 10 % d'éthanol. N'utilisez pas d'essence qui contient du méthanol (alcool méthylique ou de bois), mais qui n'inclut pas également des cosolvants et des inhibiteurs de corrosion pour le méthanol. N'utilisez jamais de l'essence qui contient plus de 5 % de méthanol, même si elle contient également des cosolvants et des inhibiteurs de corrosion.

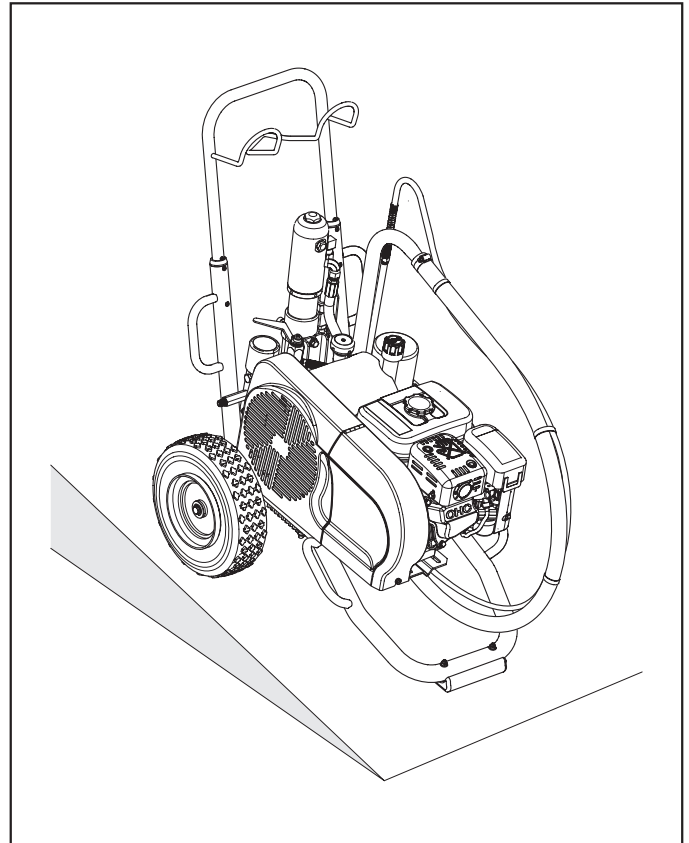


Les dommages au système d'alimentation ou les problèmes de rendement du moteur découlant de l'utilisation d'essences contenant de l'alcool ne sont pas couverts par la garantie. Le fabricant du moteur ne peut pas approuver l'utilisation d'essences contenant du méthanol étant donné que leur adaptation n'a pas encore été éprouvée.

Avant d'acheter de l'essence d'une station-service inconnue, essayez de savoir si l'essence contient de l'alcool. Si elle en contient, confirmez le type d'alcool utilisé, ainsi que le pourcentage inclus. Si vous remarquez des caractéristiques de fonctionnement indésirables lorsque vous utilisez une essence qui contient de l'alcool, ou que vous croyez qu'elle contient de l'alcool, utilisez une essence dont vous êtes certains qu'elle ne contient pas d'alcool.

1.5 Utilisation sur un terrain incliné

La partie avant du groupe doit montrer vers le bas afin d'éviter un déplacement involontaire.



2. Généralités d'utilisation

2.1 Domaines d'utilisation

Couches de fond et de finition de surfaces importantes, scellement, imprégnation, assainissement de bâtiments, protection et rénovation de façades, protection antirouille et de bâtiments, revêtement de toits, assainissement de béton, protection anticorrosion lourde.

Exemples de travaux

Génie civil, tours de refroidissement, ponts, stations d'épuration et toits plats.

2.2 Produits de revêtement

Produits utilisables



Veiller à la qualité Airless des produits utilisés.

Peintures latex, peintures pour façades, revêtements de toits et de sols, produits de protection ignifuge et anticorrosion, peintures à base de mica et de zinc, enduits à projeter de qualité Airless, colles à projeter, produits anticorrosion, revêtements épais et produits de revêtement bitumineux.

Mise en œuvre d'autres produits seulement avec l'accord de Titan.

Filtering

Malgré l'utilisation d'un filtre de haute pression, le filtrage du produit est généralement recommandé (Sauf au moment de manipuler le produit de jointoiement sans air).

Bien remuer le produit, avant l'utilisation.



Si le produit est remué avec un agitateur mécanique, éviter la formation de bulles d'air dans le produit qui pourraient entraîner des arrêts de fonctionnement.

Viscosité

Le matériel permet la mise en œuvre de produits de haute viscosité.

Si les produits à haute viscosité ne sont pas aspirés, diluer conformément aux prescriptions du fournisseur.

Produits à deux composants

Respecter scrupuleusement le temps d'utilisation correspondant (vie en pot). Rincer et nettoyer le matériel à l'intérieur de ce temps avec le produit de nettoyage adéquat.

Produits à charges abrasives

Ces produits entraînent une forte usure des vannes, flexible, pistolet et buse. La durée utile de ces éléments peut ainsi être fortement réduite.

3. Description du matériel

3.1 Le procédé Airless

Le domaine principal d'utilisation est l'application de couches épaisses de produits visqueux sur grandes surfaces avec débit élevé.

La pompe à piston aspire le produit et le refoule sous pression vers la buse. En passant par l'orifice de la buse avec une pression de maximum 22,8-24,8 MPa (228-248 bar) le produit est éclaté en très fines particules.

Étant donné l'absence d'air dans ce système, il est connu sous le nom „AIRLESS“ (sans air).

Ce procédé de projection comporte les avantages tels que pulvérisation très fine, peu de brouillard, surfaces lisse sans bulles. A part de ces avantages, il y a lieu de mentionner la vitesse de travail et la maniabilité.

3.2 Fonctionnement du matériel

Pour mieux comprendre le fonctionnement, voici une brève description de la conception technique:

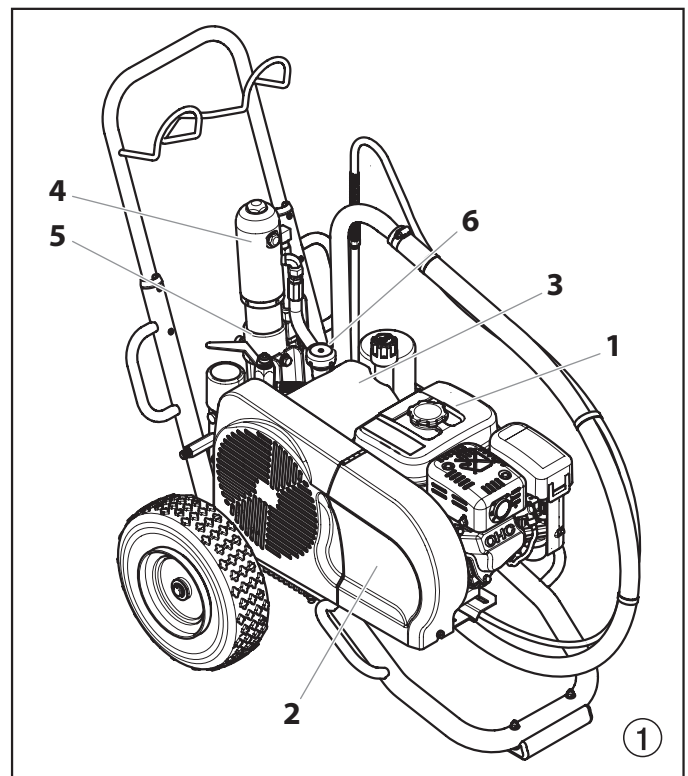
TITAN PowrTwin Plus (PT) sont des groupes de projection à haute pression entraînés par moteur à essence ou moteur électrique.

Le moteur à essence ou moteur électrique (fig. 1, pos. 1) entraîne la pompe hydraulique (3) par l'intermédiaire de la courroie trapézoïdale sous sa protection (2). L'huile hydraulique arrive au Speeflo® HydraDrive™ moteur hydraulique (4) et imprime au piston de la pompe de produit (5) un mouvement de montée et de descente.



A la montée du piston la vanne d'aspiration s'ouvre automatiquement. A la descente du piston, le clapet de refoulement s'ouvre.

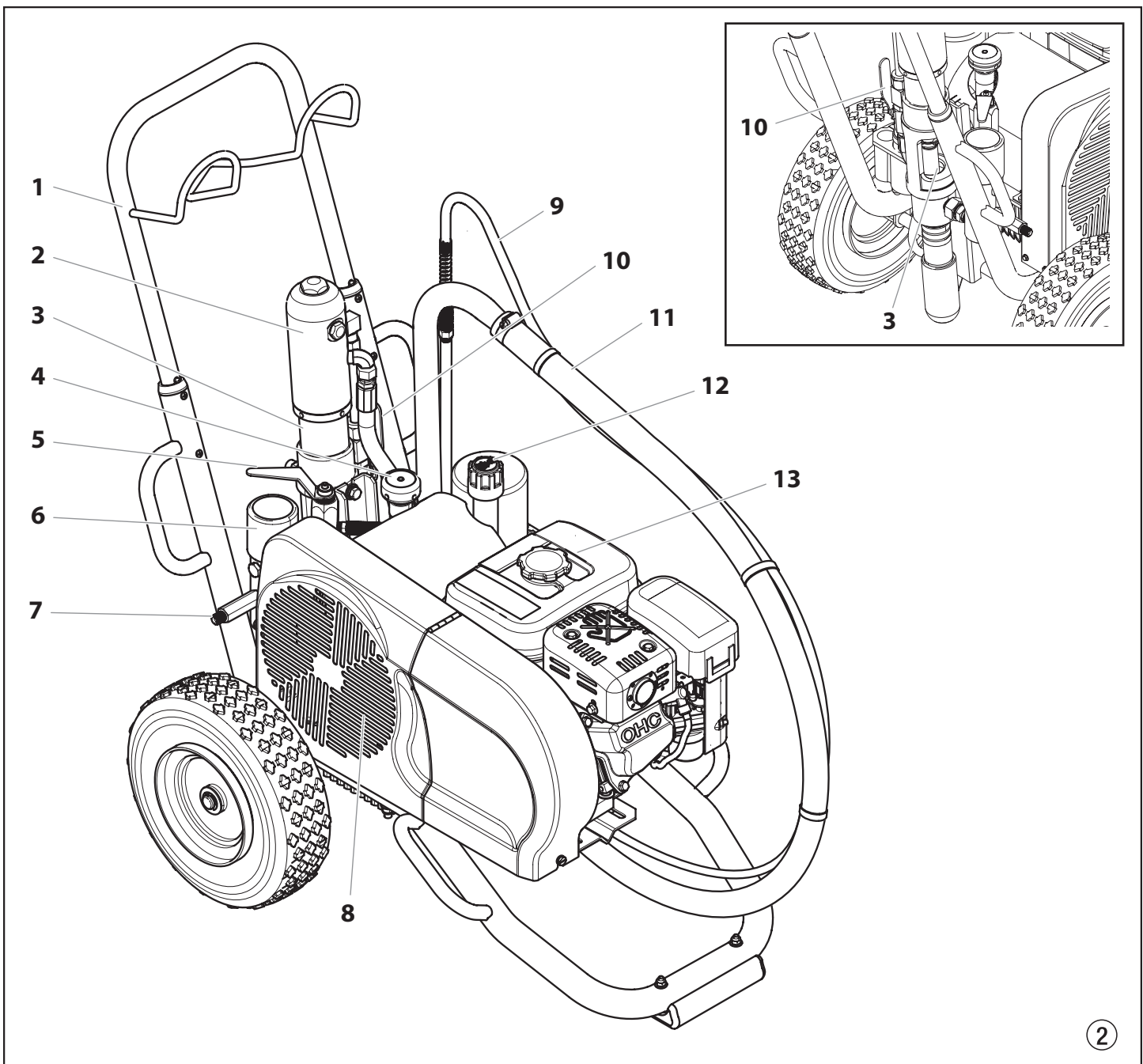
Le produit est refoulé sous haute pression par le flexible au pistolet où il est éclaté en passant par la buse.

La vanne de réglage de pression (6) règle le débit ainsi que la pression de fonctionnement.





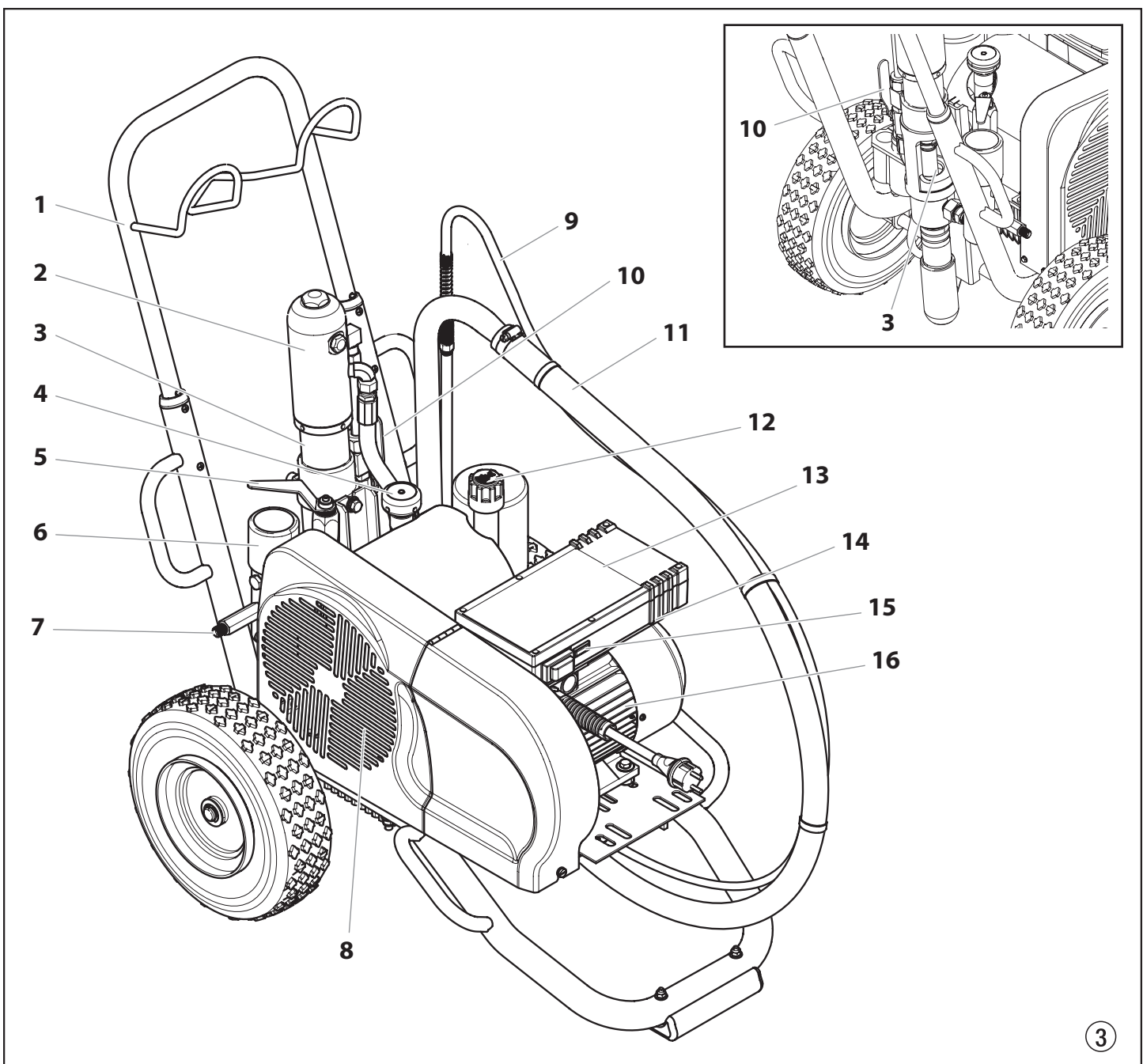
3.3 Illustration groupes PT avec moteur à essence

- | | | | |
|---|--|----|---|
| 1 | Timon extensible | 8 | Courroie trapézoïdale sous sa protection |
| 2 | Moteur hydraulique Speeflo® HydraDrive™ | 9 | Tuyau de décharge |
| 3 | Ouverture de remplissage pour l'huile de balayage
(l'huile de balayage empêche usure rapide des garnitures) | 10 | Vanne à bille levier horizontal –
moteur hydraulique arrêté
levier vertical –
moteur hydraulique marche |
| 4 | Bouton de réglage de pression | 11 | Tube du siphon |
| 5 | Poignée de la vanne de décharge
tourner à gauche  circulation
tourner à droite  projection | 12 | Jauge de niveau d'huile |
| 6 | Filtre à haute pression | 13 | Moteur à essence |
| 7 | Sortie du tuyau à haute pression | | |



3.4 Illustration groupes PT avec moteur électrique

- | | | | |
|---|--|----|---|
| 1 | Timon extensible | 9 | Tuyau de décharge |
| 2 | Moteur hydraulique Speeflo® HydraDrive™ | 10 | Vanne à bille |
| 3 | Ouverture de remplissage pour l'huile de balayage
(l'huile de balayage empêche usure rapide des garnitures) | | levier horizontal –
moteur hydraulique arrêté |
| 4 | Bouton de réglage de pression | | levier vertical –
moteur hydraulique marche |
| 5 | Poignée de la vanne de décharge | 11 | Tube du siphon |
| | tourner à gauche  circulation | 12 | Jauge de niveau d'huile |
| | tourner à droite  projection | 13 | Moteur électrique (230V) |
| 6 | Filtre à haute pression | 14 | Interrupteur MARCHE/ARRET |
| 7 | Sortie du tuyau à haute pression | 15 | Dès que la fiche de réseau est branchée, le voyant vert
s'allume |
| 8 | Courroie trapézoïdale sous sa protection | 16 | Cordon d'alimentation |



3.5 Caractéristiques techniques

	PT4900 Plus (230V)	PT4900 Plus (moteur à essence)	PT6900 Plus	PT8900 Plus	PT12000 Plus
Moteur à essence, puissance					
Honda	-----	163cc, 4,8 Hp	163cc, 4,8 Hp	196cc, 5,5 Hp	270cc, 8,5 Hp
Kohler	-----	-----	-----	-----	277cc, 9,5 Hp
Capacité du réservoir d'essence					
	-----	0,83 US gal (3,1 l)	0,83 US gal (3,1 l)	0,83 US gal (3,1 l)	1,6 US gal (6,06 l)
Tension					
	230 V~, 50 Hz	-----	-----	-----	-----
Puissance absorbée					
	2,6 kW	-----	-----	-----	-----
Cordon d'alimentation					
	3 x 2,5 mm ² – 6 m	-----	-----	-----	-----
Fusible					
	16 A	-----	-----	-----	-----
Pression de service maximale					
	22,8 MPa (228 bar)				24,8 MPa (248 bar)
Niveau sonore maximum					
	80 dB (A)*	92 dB (A)*		98 dB (A)*	
Orifice de buse maximum avec un pistolet					
1-pistolet	0,038" – 0,97 mm	0,044" – 1,12 mm	0,050" – 1,27 mm	0,054" – 1,37 mm	0,058" – 1,47 mm
2-pistolet	0,027" – 0,69 mm	0,031" – 0,79 mm	0,035" – 0,89 mm	0,038" – 0,96 mm	0,040" – 1,01 mm
3-pistolet	0,021" – 0,53 mm	0,025" – 0,64 mm	0,029" – 0,74 mm	0,032" – 0,81 mm	0,034" – 0,86 mm
4-pistolet	-----	-----	0,025" – 0,64 mm	0,028" – 0,71 mm	0,030" – 0,76 mm
5-pistolet	-----	-----	-----	0,024" – 0,61 mm	0,026" – 0,66 mm
6-pistolet	-----	-----	-----	-----	0,024" – 0,61 mm
Débit maximum					
	4,2 l/min	5,7 l/min	8,5 l/min	9,5 l/min	11,9 l/min
Poids					
	63 kg	60 kg	63 kg	70 kg	83 kg
Viscosité maximale					
	50.000 mPa·s			65.000 mPa·s	
Encombrement longueur-largeur-hauteur					
	946 x 680 x 890 mm			1080 x 686 x 866 mm	1168 x 686 x 866 mm
Température maximale du produit					
	43° C				
Cartouche filtrante (équipement standard)					
	50 mailles, 56 cm ²			50 mailles, 56 cm ²	
Capacité d'huile hydraulique					
	5,9 l (1,56 gal) CoolFlo				
Pression maximale de gonflage des pneus					
	0,2 MPa (2 bar)				
Fouet du flexible					
	DN 6 mm, 15 m, raccord NPSM 1/4				

* lieu de mesure: distance latéral au matériel 1 m, à 1,60 m du sol, pression de fonctionnement 120 bar (12 MPa), sol réverbérant.

3.6 Tableau de recommandation pour la buse du pistolet de pulvérisation sans air

Viscosité	Toile de filtre	Revêtement	Taille de l'orifice	Synergy™ (Fine Finish)
Léger	100-150	Vernis	,009 - ,011	,008 - ,010
		Vernis-laques (transparents)	,009 - ,011	,008 - ,010
		Apprêts à poncer	,009 - ,011	,008 - ,010
		Gomme laque (transparente)	,009 - ,013	,008 - ,012
		Teintures transparentes	,011 - ,013	,010 - ,012
		Scellants à base d'eau (transparent)	,011 - ,013	,010 - ,012
Moyen	60-100	Teintures solides	,013 - ,015	
		Peintures d'extérieurs pour bâtiments	,013 - ,017	
		Peintures d'intérieurs pour murs	,013 - ,017	
		Apprêts d'intérieur et d'extérieur	,017 - ,019	
Épais	30-60	De qualité commerciale		
		Enduits pour bâtiment	,017 - ,019	
		Peintures d'intérieurs pour murs	,017 - ,019	
		Apprêts d'intérieur pour murs	,017 - ,019	
		Dry Fall (séchage rapide)	,019 - ,023	
		Peinture d'apprêt/de finition en une couche	,019 - ,023	
Très épais	0	Enduits élastomères	,021 - ,031	
		Produits d'étanchéité pigmentés	,021 - ,027	
		Enduits pour béton	,025 - ,031	

Le trou de l'orifice recommandé dans le présent tableau est fondé sur des largeurs de répartition entre 20 cm (8 pouces) et 30 cm (12 pouces)

3.7 Liste des manuels d'instructions

Ce qui suit est une liste des manuels d'instructions disponibles pour cet appareil.

Les articles en ligne peuvent être téléchargés à www.titantool.com

Description	Form .#	Comment trouver
Mode d'emploi		
GB/D/F	537853	• inclus avec l'unité • en ligne
E/I/P	537854	
NL/DK/S	537855	
RFB	537867	
Manuel d'entretien, pièces de rechange		
GB/D/F	2439109	• en ligne
E/I/P	2439114	
NL/DK/S	2439115	
RFB	2439116	

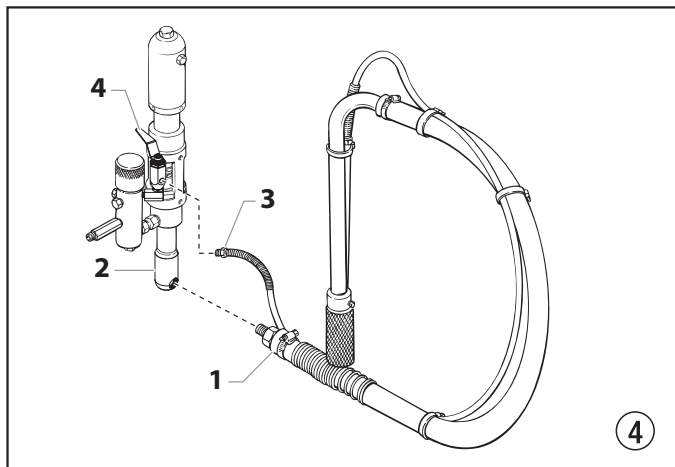
4. Fonctionnement



L'équipement produit un flot de fluides à extrêmement haute pression. Lisez et comprenez les avertissements de la section des Mesures de sécurité à l'avant du manuel avant d'utiliser l'équipement.

4.1 Installation

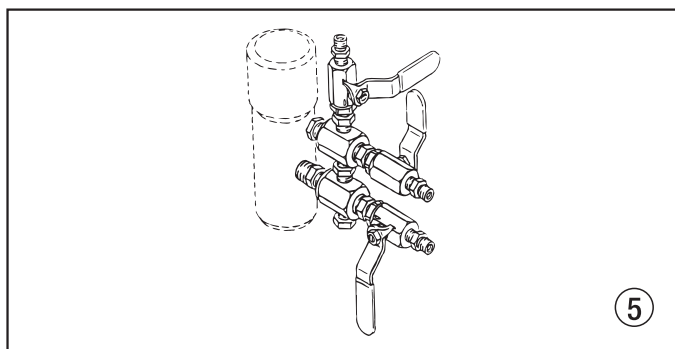
1. Assurez-vous que le tuyau d'aspiration (fig. 4, pos. 1) est bien relié à la section des liquides (2) et que le tuyau de décharge (3) est bien relié à la soupape de décharge (4). Chaque extrémité mâle de ces tuyaux a été équipée en usine d'un bouchon en PTFE devant être fermement serré à l'aide d'une clé.



2. Attachez au moins 15 m de tuyau en nylon du pistolet sans air au pulvérisateur. N'utilisez pas de ruban de PTFE ou de pâte d'étanchéité pour raccords filetés sur le raccord du tuyau de pulvérisation.
3. Attachez un pistolet de pulvérisation sans air au tuyau de pulvérisation. N'attachez pas encore la buse de pulvérisation au pistolet. Retirez la buse si elle se trouve déjà sur le pistolet.
 - a. Afin d'utiliser deux pistolets, retirez la prise de la sortie du second pistolet sur l'ensemble de filtre. Branchez un tuyau et un pistolet de pulvérisation à la sortie.



Pour le fonctionnement à pistolets multiples, branchez un collecteur à pistolets multiples à la sortie du pistolet simple. Branchez un tuyau et un pistolet à chaque sortie. Assurez-vous que la sortie du second pistolet demeure branchée. Consultez les « Caractéristiques techniques » à la section 3.5 afin de déterminer le nombre de pistolets et la taille maximale de la buse de pulvérisation.

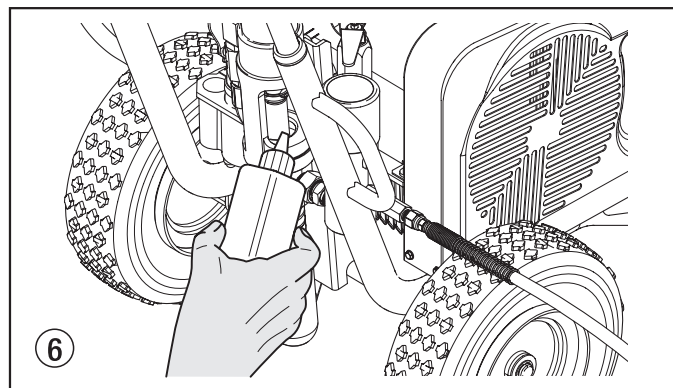


4. Remplissez la coupelle d'huile à moitié avec de l'huile Piston Lube (n° de pièce 314-480), ceci permet d'accroître la durée de vie de l'équipement.



Attention

Piston Lube empêche l'usure prématurée des garnitures.



5. Contrôlez tous les jours le niveau de fluide avant de lancer l'appareil. Le niveau de liquide hydraulique doit atteindre la marque « Full » de la jauge.



Attention

Dans le système hydraulique, vous devez impérativement employer un liquide hydraulique approuvé par Titan (Titan Coolflo, n° de pièce 430-361). N'utilisez aucun autre liquide hydraulique, il pourrait gravement endommager le circuit hydraulique et annuler la garantie.

6. **Modèles du moteur à essence** - Contrôlez tous les jours le niveau d'huile dans le réservoir avant de démarrer l'appareil. Le niveau d'huile du moteur à essence est déterminé par le fabricant du moteur. Consultez le manuel d'entretien du fabricant du moteur fourni avec ce modèle.
7. Dans le cas des modèles électriques, utilisez une prise de courant de 20 ampères. Placez toujours le modèle électrique de 3 à 4,5 mètres de la prise de courant. Servez-vous d'un câble électrique court et d'un long tuyau de pulvérisation. L'ajout d'une rallonge électrique diminuera la tension. Si une rallonge est nécessaire, utilisez uniquement une rallonge mise à la terre à trois fils no 12.
8. Vérifiez que l'appareil est bien relié à la terre. Tous les modèles sont équipés d'un œillet de mise à la terre. Un câble de mise à la terre (non fourni) doit être utilisé pour relier l'appareil à la terre. Vérifiez les réglementations locales sur l'électricité pour obtenir des consignes détaillées de mise à la terre.



Il est important de correctement relier l'appareil à la terre. Ceci vaut aussi bien pour les modèles à essence que les modèles électriques. Le passage de certains matériaux dans le tuyau en nylon produit une charge électrique statique qui peut enflammer les vapeurs de solvant lorsqu'elle est déchargée et peut créer une explosion.

9. Filtrez toutes les peintures avec un filtre en nylon pour un fonctionnement sans problème et pour éviter d'avoir à nettoyer fréquemment le filtre interne et le filtre du pistolet.
10. Vérifiez que la zone de vaporisation est bien ventilée pour empêcher tout fonctionnement dangereux avec des solvants volatils ou des fumées d'échappement.



Si vous devez pulvériser du vernis-laque ou d'autres produits inflammables, placez TOUJOURS le pulvérisateur à l'extérieur de l'aire de pulvérisation, sinon, cela pourrait causer une explosion.

11. Placez le pulvérisateur à l'extérieur de l'aire de pulvérisation afin d'éviter l'obstruction de la prise d'air du moteur ou la surpulvérisation sur le moteur électrique.

4.2 Préparation d'un nouveau vaporisateur

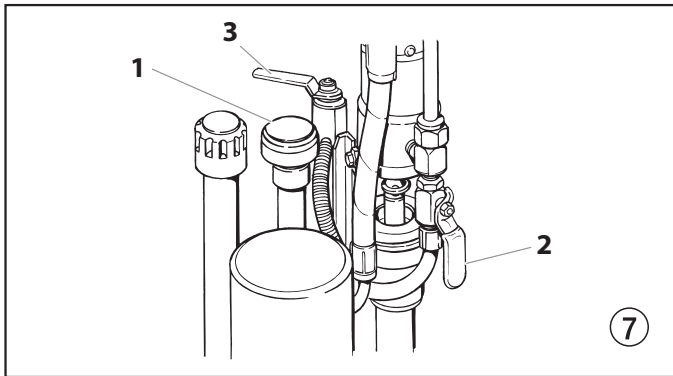
S'il s'agit d'un nouvel appareil, il est livré avec du liquide de test dans la section des liquides pour éviter la corrosion durant le transport et le stockage. Ce fluide doit être soigneusement vidangé du circuit à l'aide d'essences minérales avant de commencer à vaporiser.



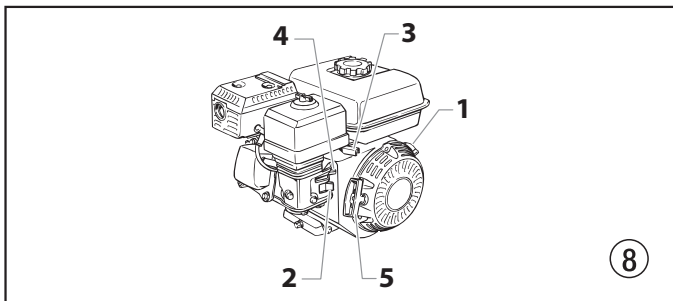
Attention

Verrouillez toujours la gâchette sur le pistolet vaporisateur pendant la préparation du circuit.

1. Placez le tuyau du siphon dans un conteneur d'essences minérales.
2. Placez le tuyau de décharge dans un conteneur de déchets en métal.
3. Réglez la pression au minimum en tournant au maximum le bouton de réglage de pression (fig. 7, pos. 1) dans le sens inverse des aiguilles d'une montre.
4. Ouvrez la vanne d'arrêt hydraulique (2) située sur le tuyau de pression hydraulique. La poignée doit être alignée avec le tuyau.
5. Ouvrez la soupape de décharge (3) en la tournant complètement dans le sens inverse des aiguilles d'une montre.



6. Démarrer le moteur à essence ou moteur électrique.
 - a. Pour faire démarrer le moteur à essence (fig. 8) :
 - placez la manette de vanne de carburant (2) en position ouverte,
 - placez le levier de papillon d'accélération (3) au milieu,
 - placez le levier d'étranglement (4) en position fermée pour un moteur froid ou en position ouverte pour un moteur chaud.
 - mettez la clé de contact (1) sur ON et
 - tirez fermement sur la corde du démarreur (5) jusqu'à ce que le moteur démarre.
 - b. Afin de démarrer le moteur électrique, déplacez l'interrupteur pour qu'il soit en position MARCHÉ.



7. Tournez le bouton de réglage de pression dans le sens des aiguilles d'une montre et vers le bas d'1/3 environ pour accroître la pression jusqu'à ce que les cycles de vaporisation soient réguliers et que le solvant s'écoule sans problème du tuyau de décharge.

8. Laissez le vaporisateur tourner pendant 15 à 30 secondes pour vidanger le liquide de test du tuyau de vidange vers le conteneur de déchets.
9. Éteignez l'appareil.
 - a. Pour éteindre le moteur à essence :
 - réglez la pression au minimum en tournant au maximum le bouton de réglage de pression dans le sens inverse des aiguilles d'une montre,
 - placez le levier de papillon d'accélération en position lente, et
 - tournez l'interrupteur du moteur sur OFF.
 - b. Afin d'éteindre le moteur électrique,
 - réglez la pression au minimum en tournant au maximum le bouton de réglage de pression dans le sens inverse des aiguilles d'une montre,
 - déplacez l'interrupteur pour qu'il soit en position ARRÊT.

4.3 Préparation avant de peindre

Avant de peindre, il est important de s'assurer que le liquide du circuit est compatible avec la peinture qui va être utilisée.



Les liquides et peintures incompatibles peuvent boucher les soupapes et obliger l'utilisateur à démonter et nettoyer la section des liquides du vaporisateur.



Attention

Verrouillez toujours la gâchette sur le pistolet vaporisateur pendant la préparation du circuit.

1. Placez le tuyau du siphon dans un conteneur du solvant approprié.



Si vous vaporisez du latex aqueux, rincez à l'eau propre et tiède. Si vous utilisez un autre matériau, renseignez-vous auprès du fabricant du matériau au sujet du solvant compatible.

2. Placez le tuyau de décharge dans un conteneur de déchets en métal.
3. Réglez la pression au minimum en tournant au maximum le bouton de réglage de pression (fig. 7, pos. 1) dans le sens inverse des aiguilles d'une montre.
4. Ouvrez la vanne d'arrêt hydraulique (2) située sur le tuyau de pression hydraulique. La poignée doit être alignée avec le tuyau.
5. Ouvrez la soupape de décharge (3) en la tournant complètement dans le sens inverse des aiguilles d'une montre.
6. Démarrer le moteur à essence ou moteur électrique.
 - a. Pour faire démarrer le moteur à essence (fig. 8) :
 - placez la manette de vanne de carburant (2) en position ouverte,
 - placez le levier de papillon d'accélération (3) au milieu,
 - placez le levier d'étranglement (4) en position fermée pour un moteur froid ou en position ouverte pour un moteur chaud.
 - mettez la clé de contact (1) sur ON et
 - tirez fermement sur la corde du démarreur (5) jusqu'à ce que le moteur démarre.
 - b. Afin de démarrer le moteur électrique, déplacez l'interrupteur pour qu'il soit en position MARCHE.
7. Tournez le bouton de réglage de pression dans le sens des aiguilles d'une montre et vers le bas d'1/3 environ pour accroître la pression jusqu'à ce que les cycles de vaporisation soient réguliers et que le solvant s'écoule sans problème du tuyau de décharge.
8. Laissez le vaporisateur tourner pendant 15 à 30 secondes pour vidanger le liquide de test du tuyau de vidange vers le conteneur de déchets.
9. Éteignez l'appareil.
 - a. Pour éteindre le moteur à essence :
 - réglez la pression au minimum en tournant au maximum le bouton de réglage de pression dans le sens inverse des aiguilles d'une montre,
 - placez le levier de papillon d'accélération en position lente, et
 - tournez l'interrupteur du moteur sur OFF.
 - b. Afin d'éteindre le moteur électrique,
 - réglez la pression au minimum en tournant au maximum le bouton de réglage de pression dans le sens inverse des aiguilles d'une montre,
 - déplacez l'interrupteur pour qu'il soit en position ARRÊT.

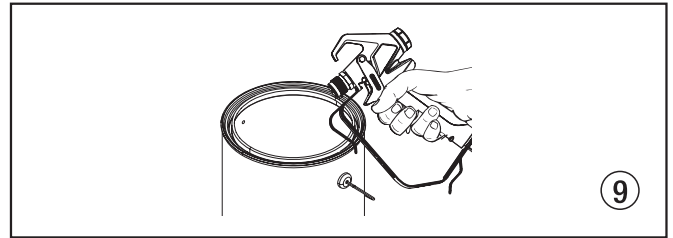


Assurez-vous qu'aucun embout ou protecteur d'embout n'est installé sur le pistolet vaporisateur.

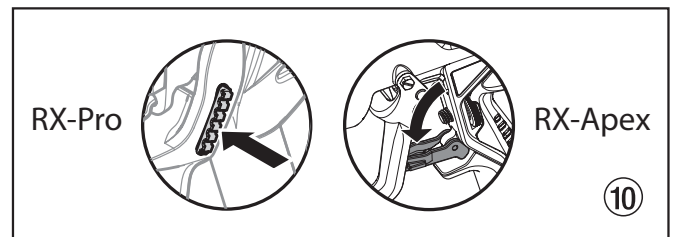
10. Fermez la soupape de décharge en la tournant complètement dans le sens des aiguilles d'une montre.
11. Démarrer le moteur à essence ou moteur électrique.
12. Tournez le bouton de réglage de pression dans le sens des aiguilles d'une montre et vers le bas d'1/3 environ pour accroître la pression.
13. Débloquez le pistolet en faisant passer la gâchette du pistolet vers la position de déblocage.



Reliez le pistolet à la terre en le maintenant contre le bord du conteneur en métal lors du rinçage. Si cette précaution n'est pas respectée, il peut se former une décharge électrique statique pouvant à son tour provoquer un incendie.



14. Déclenchez le pistolet dans le conteneur de déchets en métal jusqu'à ce que le solvant usagé soit vidangé et que du solvant frais sorte du pistolet.
15. Bloquez le pistolet en faisant passer la gâchette du pistolet vers la position de blocage (fig. 10).



16. Augmentez la pression en tournant lentement et au maximum le bouton de réglage de pression dans le sens des aiguilles d'une montre.
17. Vérifiez si le système ne présente pas de fuite. En cas de fuite, suivez la « Procédure de décharge de pression » décrite dans ce manuel avant de serrer les raccords ou les tuyaux.
18. Suivez la « Procédure de décharge de pression » (section 4.5) décrite dans ce manuel avant de passer du solvant à la peinture.



Assurez-vous de bien suivre la Procédure de décharge de pression lorsque vous arrêtez l'appareil pour une raison quelconque, y compris lors de l'entretien ou du réglage d'une pièce du circuit de vaporisation, du remplacement ou du nettoyage des embouts de vaporisation, ou lors de la préparation au nettoyage.

4.4 Peinture

1. Placez le tuyau de siphon dans un conteneur de peinture.
2. Placez le tuyau de décharge dans un conteneur de déchets en métal.
3. Réglez la pression au minimum en tournant au maximum le bouton de réglage de pression (fig. 7, pos. 1) dans le sens inverse des aiguilles d'une montre.
4. Ouvrez la vanne d'arrêt hydraulique (2) située sur le tuyau de pression hydraulique. La poignée doit être alignée avec le tuyau.
5. Ouvrez la soupape de décharge (3) en la tournant complètement dans le sens inverse des aiguilles d'une montre.
6. Démarrer le moteur à essence ou moteur électrique.
 - a. Pour faire démarrer le moteur à essence (fig. 8) :
 - placez la manette de vanne de carburant (2) en position ouverte,
 - placez le levier de papillon d'accélération (3) au milieu,
 - placez le levier d'étranglement (4) en position fermée pour un moteur froid ou en position ouverte pour un moteur chaud.
 - mettez la clé de contact (1) sur ON et
 - tirez fermement sur la corde du démarreur (5) jusqu'à ce que le moteur démarre.
 - b. Afin de démarrer le moteur électrique, déplacez l'interrupteur pour qu'il soit en position MARCHE.
7. Tournez le bouton de réglage de pression dans le sens des aiguilles d'une montre et vers le bas d'1/3 environ pour accroître la pression jusqu'à ce que les cycles de vaporisation soient réguliers et que la peinture s'écoule sans problème du tuyau de décharge.
8. Éteignez l'appareil.
 - a. Pour éteindre le moteur à essence :
 - réglez la pression au minimum en tournant au maximum le bouton de réglage de pression dans le sens inverse des aiguilles d'une montre,
 - placez le levier de papillon d'accélération en position lente, et
 - tournez l'interrupteur du moteur sur OFF.
 - b. Afin d'éteindre le moteur électrique,
 - réglez la pression au minimum en tournant au maximum le bouton de réglage de pression dans le sens inverse des aiguilles d'une montre,
 - déplacez l'interrupteur pour qu'il soit en position ARRÊT.
9. Démontez le tuyau de purge du conteneur de déchets et placez-le dans le conteneur de peinture.
10. Fermez la vanne de purge en la tournant au maximum, dans le sens des aiguilles d'une montre.
11. Démarrer le moteur à essence ou moteur électrique.
12. Tournez le bouton de réglage de pression dans le sens des aiguilles d'une montre et vers le bas d'1/3 environ pour accroître la pression.
13. Débloquez le pistolet en faisant passer la gâchette du pistolet vers la position de déblocage.



Reliez le pistolet à la terre en le maintenant contre le bord du conteneur en métal lors du rinçage. Si cette précaution n'est pas respectée, il peut se former une décharge électrique statique pouvant à son tour provoquer un incendie.

14. Déclenchez le pistolet dans le conteneur de déchets en métal jusqu'à ce que le solvant et l'air soient vidangés et que de la peinture sorte du pistolet.
15. Bloquez le pistolet en faisant passer la gâchette du pistolet vers la position de blocage (fig. 10).
16. Éteignez l'appareil.
17. Fixez la protection d'embout au pistolet comme indiqué sur la protection d'embout ou sur les manuels d'embouts.



RISQUE ÉVENTUEL D'INJECTION. Ne vaporisez pas si la protection d'embout n'est pas montée. Ne déclenchez jamais le pistolet si l'embout n'est pas en position de vaporisation ou débouché. Engagez toujours le verrouillage de la gâchette du pistolet avant de démonter, de remplacer ou de nettoyer l'embout.

18. Démarrer le moteur à essence ou moteur électrique.
19. Augmentez la pression en tournant lentement le bouton de réglage de la pression dans le sens des aiguilles d'une montre et testez la forme de vaporisation sur un bout de carton. Ajustez le bouton de réglage de pression jusqu'à ce que le pistolet soit complètement atomisé.



Si vous augmentez la pression au-delà de la pression nécessaire pour atomiser la peinture, vous pouvez provoquer une usure prématurée des embouts et une vaporisation excessive.

4.5 Procédure de décharge de pression



Assurez-vous de bien suivre la procédure de décharge de pression lorsque vous arrêtez l'appareil pour une raison quelconque, y compris lors de l'entretien ou du réglage d'une pièce du circuit de vaporisation, du remplacement ou du nettoyage des embouts de vaporisation ou lors de la préparation au nettoyage.

1. Bloquez le pistolet en faisant passer la gâchette du pistolet vers la position de blocage.
2. Éteignez l'appareil.
 - a. Pour éteindre le moteur à essence :
 - réglez la pression au minimum en tournant au maximum le bouton de réglage de pression dans le sens inverse des aiguilles d'une montre,
 - placez le levier de papillon d'accélération en position lente, et
 - tournez l'interrupteur du moteur sur OFF.
 - b. Afin d'éteindre le moteur électrique,
 - réglez la pression au minimum en tournant au maximum le bouton de réglage de pression dans le sens inverse des aiguilles d'une montre,
 - déplacez l'interrupteur pour qu'il soit en position ARRÊT.
3. Fermez la vanne d'arrêt hydraulique située sur le tuyau de pression hydraulique.
4. Débloquez le pistolet en faisant passer la gâchette du pistolet vers la position de déblocage.
5. Maintenez fermement la partie métallique du pistolet contre un conteneur de déchets en métal pour décharger l'électricité statique du pistolet.
6. Enclenchez le pistolet pour éliminer toute pression résiduelle dans le tuyau.
7. Bloquez le pistolet en faisant passer la gâchette du pistolet vers la position de blocage.
8. Placez le tuyau de décharge dans un conteneur de déchets en métal.
9. Ouvrez la vanne de purge en la tournant au maximum dans le sens contraire des aiguilles d'une montre.

5. Nettoyage



Attention

Le pulvérisateur, le tuyau et le pistolet doivent être soigneusement nettoyés tous les jours après utilisation. Le non-respect de ces consignes peut mener à une agglutination du matériau et donc considérablement endommager la performance de l'appareil.



Lorsque vous utilisez des essences minérales ou tout autre solvant pour nettoyer le vaporisateur, le tuyau ou le pistolet, vaporisez toujours à la pression minimale avec l'embout du pistolet démonté. L'accumulation d'électricité statique peut entraîner un incendie ou une explosion en présence de vapeurs inflammables.

5.1 Consignes spéciales de nettoyage lors de l'utilisation du pistolet avec des solvants inflammables

- Rincez toujours le pistolet pulvérisateur de préférence à l'extérieur et au moins à une longueur de tuyau de la pompe de pulvérisation.
- Si vous recueillez les solvants vidangés dans un conteneur en métal d'un gallon (environ 3,780 litres), placez celui-ci dans un conteneur vide de 5 gallons (environ 19 litres), puis vidangez les solvants.
- La zone doit être totalement débarrassée de vapeurs inflammables.
- Respectez toutes les consignes de nettoyage.

5.2 Nettoyage du pulvérisateur

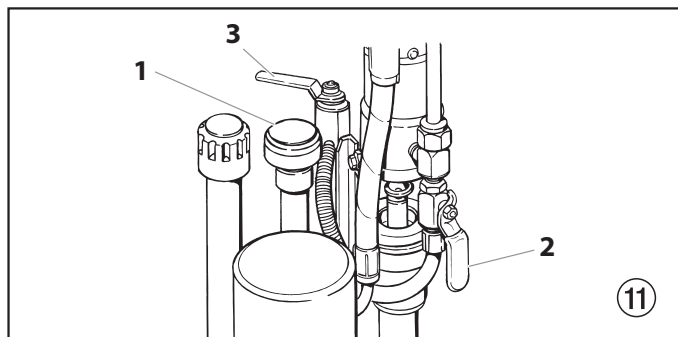
1. Suivez la « Procédure de décharge de pression » décrite au paragraphe Fonctionnement de ce manuel (section 4.5).
2. Démontez l'embout du pistolet et la protection d'embout puis procédez au nettoyage en utilisant une brosse et un solvant approprié.
3. Placez le tuyau du siphon dans un conteneur du solvant approprié.



Attention

Utilisez des solvants compatibles lors du nettoyage de peintures laquées, de laques, de peinture à base de brai et d'époxy. Vérifiez auprès du fabricant du liquide le solvant recommandé pour ce liquide

4. Placez le tuyau de décharge dans un conteneur de déchets en métal.
5. Réglez la pression au minimum en tournant au maximum le bouton de réglage de pression (fig. 11, pos. 1) dans le sens inverse des aiguilles d'une montre.
6. Fermez la vanne d'arrêt hydraulique (2) située sur le tuyau de pression hydraulique. La poignée doit être alignée avec le tuyau.
7. Ouvrez la vanne de purge (3) en la tournant au maximum, dans le sens contraire des aiguilles d'une montre.



8. Démarrer le moteur à essence ou moteur électrique.

9. Laissez le solvant circuler dans l'appareil et vidangez la peinture par le tuyau de purge dans le conteneur de déchets en métal.
10. Éteignez l'appareil.
11. Fermez la vanne de purge en la tournant au maximum, dans le sens des aiguilles d'une montre.
12. Démarrer le moteur à essence ou moteur électrique.



Reliez le pistolet à la terre en le maintenant contre le bord du conteneur en métal lors du rinçage. Si cette précaution n'est pas respectée, il peut se former une décharge électrique statique pouvant à son tour provoquer un incendie.

13. Déclenchez le pistolet dans le conteneur de déchets en métal jusqu'à ce que la peinture soit vidangée et que du solvant sorte du pistolet.
14. Continuez à déclencher le pistolet dans le conteneur de déchets en métal jusqu'à ce que le solvant sortant du pistolet soit propre.



Pour le stockage à long terme par temps froid ou lorsqu'il s'agit d'exposition à des températures de congélation, pomper des essences minérales dans tout le système.

Pour un stockage à court terme lorsqu'il n'y a pas d'exposition à des températures de congélation lors de l'utilisation de peinture au latex, pomper de l'eau mélangée avec Titan Liquid Shield dans tout le système (voir la section Accessoires de ce manuel pour le numéro de pièce et l'étiquette du produit pour les instructions de dilution).

15. Suivez la « Procédure de décharge de pression » décrite au paragraphe Fonctionnement de ce manuel.
16. Conservez l'outil dans un endroit sec et propre.

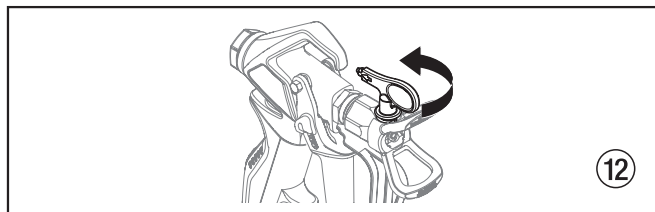


Attention

Ne stockez pas l'appareil sous pression.

5.3 Nettoyage d'une buse obstruée

1. Suivez la « Procédure de décharge de pression » décrite au paragraphe Fonctionnement du présent manuel.
2. Si la buse est obstruée, faites tourner la poignée de la buse à 180° jusqu'à ce que la flèche figurant sur la poignée indique l'opposé de la direction de pulvérisation et que la poignée s'enclenche en position inversée.



3. Appuyez une fois sur la détente du pistolet pour que la pression débouche la buse. N'appuyez JAMAIS deux fois de suite sur la détente lorsque la buse est dans la position inversée. Cette procédure peut être répétée jusqu'à ce que la buse ne soit plus obstruée.



Le flux sortant de la buse de pulvérisation est à très forte pression. Tout contact avec une quelconque partie du corps peut s'avérer dangereux. Ne mettez pas de doigt sur l'embout du pistolet. Ne visez personne avec le pistolet. N'utilisez jamais le pistolet pulvérisateur sans disposer du protège-embout approprié.

6. Entretien



Avant de continuer, suivez la procédure de réduction de pression précédemment exposée dans ce manuel. Respectez également tous les autres avertissements afin de minimiser les risques de blessures dus à des projections ou à des pièces mobiles ou les risques de décharge électrique. Débranchez toujours le pulvérisateur avant de procéder à son entretien !

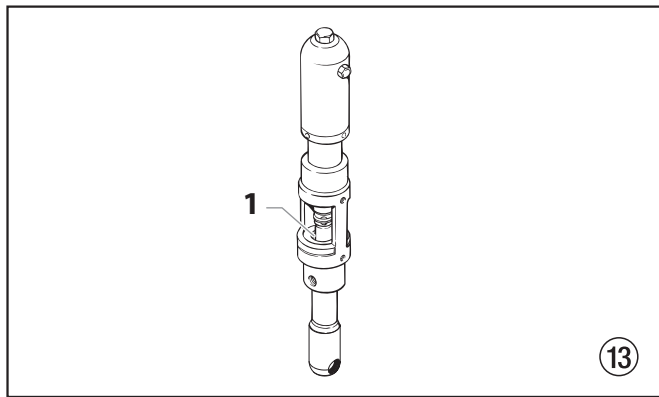
6.1 Entretien quotidien

Deux procédures quotidiennes sont requises afin de procéder à l'entretien régulier de ce pulvérisateur.

- Lubrification des garnitures supérieures.
- Nettoyage de la crépine.

A) Lubrification des garnitures supérieures

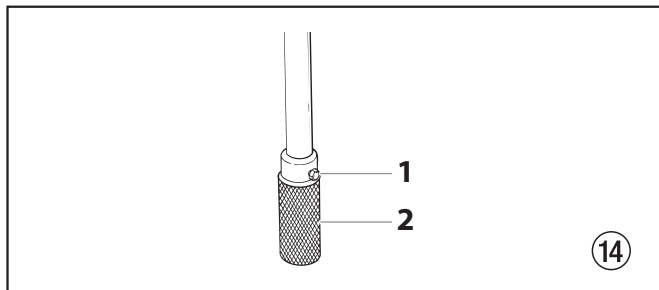
- Ôtez la peinture qui a coulé derrière les garnitures supérieures dans le collecteur d'huile (fig. 13, pos. 1) situé au-dessus de la section des liquides.
- Remplissez le collecteur d'huile à moitié avec de l'huile Piston Lube (n° de pièce 314-480) fournie par le fabricant. Cela permet d'accroître la durée de vie de l'équipement.



Ne remplissez pas trop le collecteur d'huile de façon à éviter que l'huile ne déborde et ne se déverse dans la peinture.

B) Nettoyage de la crépine

- La crépine s'obstrue et doit être nettoyée au moins une fois par jour.
- Desserrez l'écrou (fig. 14, pos 1) qui relie la crépine au tube du siphon.
- Extrayez la crépine (2) du bas du tube du siphon.
- Nettoyez-le soigneusement avec le solvant adéquat.



6.2 Entretien du filtre

Nettoyez régulièrement le filtre. Les filtres sales ou obstrués peuvent réduire de manière considérable la capacité filtrante de l'appareil et occasionner un certain nombre de problèmes dans le système (faible pulvérisation, buses obstruées, etc).

Nettoyage (fig. 15)

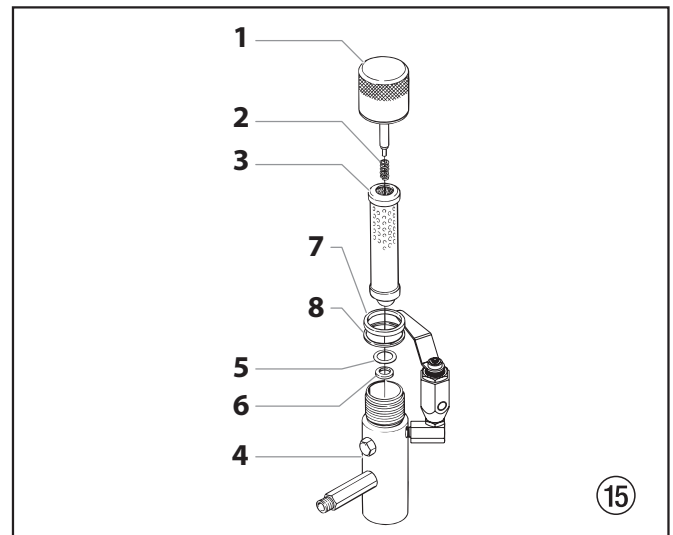
Pour nettoyer le filtre, veuillez suivre la procédure qui suit :

- Suivez la « Procédure de décharge de pression » décrite au paragraphe Fonctionnement du présent manuel.
- Ôte le bouchon (1) et le ressort (2) du filtre.
- Ôtez l'élément à bille (3) du filtre par le haut du corps du filtre (4).
- Nettoyez à l'intérieur du corps du filtre, l'élément à bille et le bouchon au moyen d'un solvant approprié.



Manipulez les pièces avec soin car toute impureté, saleté, rayure ou encoche peut empêcher les joints toriques ou les joints d'adhérer.

Cet élément filtre depuis l'intérieur vers l'extérieur. Veillez à nettoyer soigneusement l'intérieur de l'élément du filtre. Trempez-le dans le solvant de manière à ramollir la peinture sèche ou remplacez-le.



Inspection (fig. 15)

Inspectez toutes les pièces du filtre avant de le remonter.

- Inspectez la bille à l'intérieur de l'élément du filtre. Si la bille présente des coupures ou des rayures liées à la pression, remplacez l'élément du filtre.
 - Si la bille est coupée, retirez le joint torique en PTFE (5) à l'aide d'un extracteur de joint torique et retirez le siège en carbure (6).
 - Vérifiez que le siège ne comporte ni encoches ni rainures. Si le siège est endommagé, remplacez-le.



Si vous le retirez, le joint torique en PTFE sera endommagé et devra être remplacé.

- Retirez le ressort (2) de son guide situé dans le bouchon du filtre.
 - Mesurez la longueur du ressort non compressé. S'il mesure moins de 1,9 cm (3/4") d'une extrémité à l'autre, remplacez-le.
 - Poussez le ressort dans son guide afin qu'il s'enclenche à sa place.
- Inspectez les deux joints en PTFE (7,8) et le joint torique en PTFE (5) afin de détecter toute éventuelle déformation, encoche ou coupure. Le cas échéant, remplacez-les.



Les joints en PTFE, le joint torique en PTFE et le ressort sont inclus dans le Kit de maintenance du filtre n° de pièce 930-050.

Remontage (fig. 15)

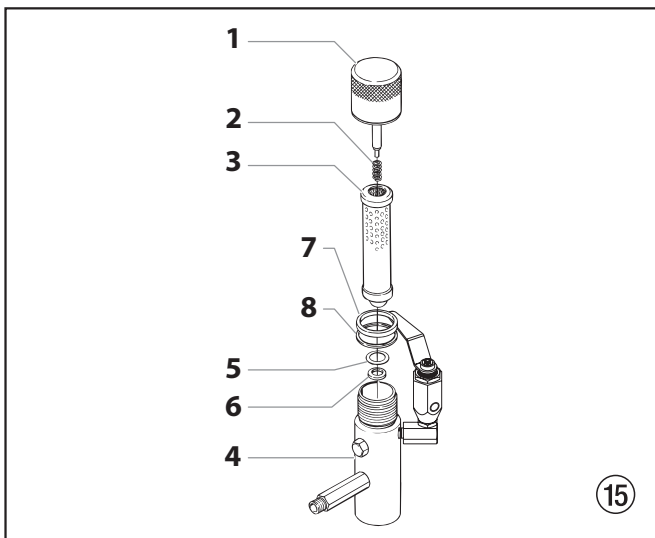
Après avoir nettoyé et inspecté toutes les pièces, rassemblez le filtre.

1. Placez le siège en carbure (6) dans le corps du filtre (4). Assurez-vous que le côté biseauté du siège est dirigé vers le haut.
2. Placez le joint torique en PTFE (5) dans la rainure du diamètre extérieur du siège en carbure (6).
3. Placez l'élément à bille (3) dans le corps du filtre (4).



Le haut et le bas de l'élément à bille sont identiques.

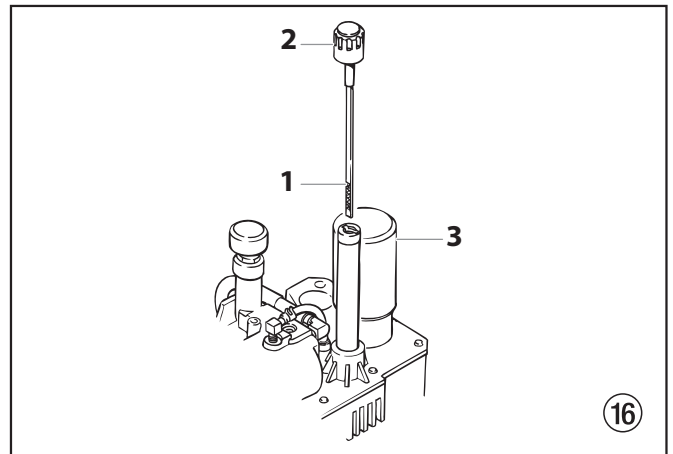
4. Si ce n'est déjà fait, poussez le ressort (2) dans son guide situé dans le bouchon du filtre (1) jusqu'à ce qu'il s'enclenche à sa place.
5. Placez le joint en PTFE (8) fin sur le pas en haut du corps du filtre (4).
6. Placez le joint en PTFE (7) épais sur le joint fin (8).
7. Serrez le bouchon du filtre (1) au corps du filtre (4).

**6.3 Entretien du système hydraulique**

Attention

Dans le système hydraulique, vous devez impérativement employer un liquide hydraulique approuvé par Titan (Titan Coolflo, n° de pièce 430-361). N'utilisez aucun autre fluide hydraulique. L'emploi de tout autre fluide hydraulique risque de gravement endommager le système hydraulique et annulera la garantie.

1. Vérifiez le liquide fluide hydraulique tous les jours. Il doit atteindre la marque « Full » de la jauge. Si son niveau est insuffisant, ajoutez impérativement du fluide hydraulique approuvé par Titan (Titan Coolflo, n° de pièce 430-361). N'ajoutez ni ne changez le fluide hydraulique si vous n'êtes pas dans un lieu propre dénué de poussière. La pollution du fluide hydraulique diminue la durée de vie de la pompe hydraulique et annule la garantie.



2. Changez le fluide hydraulique tous les douze mois. Drainez l'ancien fluide du réservoir et remplissez-le de 5,9 (6,25 qt.) litres de fluide hydraulique. Faites marcher le pulvérisateur à une pression suffisante pour faire fonctionner la section des liquides. Faites tourner le pulvérisateur à basse pression pendant 5 minutes. Cela permet d'évacuer l'air du système. Vérifiez le niveau du fluide au terme de cette procédure. Ne remplissez pas trop le réservoir.



Lorsque vous remplacez le filtre hydraulique (3) au cours du changement de fluide, il peut s'avérer utile d'ajouter jusqu'à un litre supplémentaire de fluide hydraulique.

3. Le système hydraulique est doté d'un filtre hydraulique externe remplaçable. Changez le filtre tous les douze mois.
4. L'entretien de la pompe hydraulique ne doit pas s'effectuer sur place. Si la pompe hydraulique nécessite un entretien, elle doit être renvoyée à Titan.

6.4 Entretien de la section des fluides

Si le pulvérisateur doit ne pas être utilisé pendant une longue période, il est conseillé, suite au nettoyage, d'introduire un mélange de kérosène et huile faisant office de conservateur. Les garnitures tendent à sécher lorsqu'elles ne sont pas utilisées. Cela s'applique notamment à l'ensemble des garnitures supérieures pour lesquelles il est recommandé de recourir à Piston Lube (n° de pièce 314-480) pour une utilisation normale.

Si le pulvérisateur n'a pas été utilisé pendant une longue période, il peut s'avérer utile d'amorcer la pompe avec un solvant. Il est extrêmement important que les filets du raccord du tuyau d'aspiration soient correctement fixés. Toute fuite d'air pourrait occasionner un fonctionnement irrégulier du pulvérisateur et pourrait endommager le système. Les courses ascendantes et

descendantes doivent être approximativement similaires en terme de temps (l'une ne doit pas être plus rapide que l'autre). Une course ascendante ou descendante trop rapide pourrait indiquer la présence d'air dans le système ou un mauvais fonctionnement de la soupape ou des sièges (reportez-vous à la section consacrée au dépannage).

6.5 Entretien de base du moteur (moteur à essence)

- Pour obtenir des informations détaillées sur l'entretien du moteur ou des spécifications techniques, reportez-vous au deuxième manuel du moteur à essence.
- Tout entretien du moteur doit être réalisé par un revendeur agréé par le fabricant du moteur.
- Utilisez une huile pour moteur de qualité premium. Il est conseillé d'utiliser la 10W30 pour une utilisation générale quelque soit la température. D'autres viscosités peuvent être requises sous d'autres climats.
- Utilisez uniquement une bougie d'allumage (NGK) BR-6HS (PT4900) ou (NGK) BP6ES / BPR6E (PT6900/PT8900/PT12000). Ecartez les électrodes de 0,028 à 0,031 pouces (de 0,7 à 0,8 mm). Utilisez toujours une clé à bougie.

Tous les jours

1. Vérifiez le niveau d'huile du moteur et remplissez le réservoir si besoin est.
2. Vérifiez le niveau d'essence du moteur et remplissez le réservoir si besoin est.



Suivez toujours la procédure de ravitaillement précédemment exposée dans ce manuel.

Les 20 premières heures

1. Changez l'huile du moteur.

Toutes les 100 heures

1. Changez l'huile du moteur.
2. Nettoyez le collecteur de dépôt.
3. Nettoyez et re-réglez la bougie d'allumage.
4. Nettoyez le pare-étincelles.

Toutes les semaines

1. Retirez le couvercle du filtre à air et nettoyez l'élément. Dans les environnements très poussiéreux, vérifiez le filtre quotidiennement. Remplacez l'élément le cas échéant. Les pièces de rechange peuvent être achetées auprès de votre revendeur local du fabricant de moteur.

Fonctionnement et entretien du moteur

1. Nettoyez les filtres à air et à huile du moteur à essence toutes les 25 heures ou une fois par semaine. Ne laissez pas la peinture ou les saletés s'accumuler sur la grille d'entrée d'air du volant du moteur à essence. Nettoyez-la régulièrement. La durée de vie et l'efficacité du moteur à essence dépend de son bon entretien. Changez l'huile du moteur toutes les 100 heures. Tout manquement à ces consignes peut occasionner une surchauffe du moteur. Consultez le manuel d'entretien qui vous est fourni par le fabricant du moteur.
2. Pour économiser de l'essence et accroître la durée de vie et l'efficacité du pulvérisateur, faites fonctionner le moteur à essence au régime moteur le plus bas lui permettant de tourner sans forcer et de fournir la quantité de peinture requise. Un régime moteur plus élevé n'est pas synonyme de pression de travail plus grande. Le moteur à essence est relié à la pompe hydraulique par le biais d'une association de poulies destinées à fournir un maximum de peinture à un régime moteur maximum.
3. La garantie sur les moteurs à essence se limite au fabricant d'origine.

7. Dépannage

7.1 Pistolet sans air

Problème

A. Le pistolet projette par erreur

Cause

1. Présence d'air dans le circuit
2. Pistolet sale
3. Déréglage de l'aiguille
4. Siège de soupape endommagé ou fêlé

Solution

1. Inspectez les raccords pour détecter une éventuelle fuite d'air.
2. Démontez et nettoyez.
3. Inspectez et réglez.
4. Inspectez et remplacez.

B. Le pistolet ne s'arrête pas

1. Aiguille & siège endommagés ou usés
2. Déréglage de l'aiguille
3. Pistolet sale

1. Remplacez.
2. Réglez.
3. Nettoyez.

C. Le pistolet ne pulvérise pas

1. Absence de peinture
2. Filtre ou embout obstrués
3. Aiguille du pistolet endommagée

1. Vérifiez l'alimentation en fluide.
2. Nettoyez.
3. Remplacez.

7.2 Section des liquides

Problème

A. La pompe ne libère du produit que lors de la course ascendante ou monte lentement et descend rapidement (généralement appelé plongée descendante).

Cause

1. La bille du clapet de pied inférieur n'est pas stable à cause des dépôts de déchets ou de l'usure
2. Produit trop visqueux pour être aspiré.
3. Présence d'une fuite d'air dans le siphon ou tuyau du siphon endommagé. Le siphon peut être trop petit pour les produits denses.

Solution

- 1* Ôtez le clapet de pied. Nettoyez et inspectez. Testez le clapet de pied en le remplissant d'eau ; si la bille tombe pour sceller le siège, remplacez la bille.
2. Dilution du produit – contactez le fabricant pour connaître les procédures de dilution appropriées. Serrez tous les raccords situés entre la pompe et le réservoir de peinture. S'ils sont endommagés, remplacez-les. Passez à un siphon de diamètre plus large.

B. La pompe ne libère du produit que dans sa course descendante ou monte rapidement et descend lentement.

1. La bille supérieure n'est pas stable à cause des dépôts de déchets ou de l'usure
2. La garniture inférieure est usée.

- 1* Vérifiez le siège supérieur et la bille avec de l'eau. Si la bille ne scelle pas l'ensemble, remplacez le siège.
- 2* Remplacez l'ensemble des garnitures si elles sont usées.

C. La pompe monte et descend rapidement, en libérant du produit.

1. Le réservoir de produit est vide ou le produit est trop épais pour s'écouler dans le tuyau du siphon.
2. La bille inférieure est collée au siège du clapet de pied.
3. Le tuyau du siphon est tordu ou dévissé.

1. Remplissez de nouveau produit. Si elle est trop épaisse, retirez le tuyau du siphon, immergez la section des liquides dans le produit et amorcez la pompe. Ajoutez du diluant au produit. Installez un siphon plus grand. Ouvrez la soupape de décharge pour évacuer l'air et redémarrez la pompe.
- 2* Ôtez le clapet de pied. Nettoyez la bille et le siège.
3. Resserrez.

D. La pompe monte et descend lentement lorsque le pistolet vaporisateur est éteint.

1. Les raccords sont dévissés. La soupape de décharge est partiellement ouverte ou usée. Le siège des garnitures inférieures est usé.
2. La bille supérieure et/ou la bille inférieure ne sont pas stables.

1. Vérifiez tous les raccords entre la pompe et le pistolet. Resserrez si nécessaire. Si du produit s'écoule du tuyau de décharge, fermez la soupape de décharge ou remplacez-la le cas échéant. Si aucune de ces solutions ne fonctionne, remplacez la garniture inférieure.
- 2* Remettez la bille en place en la nettoyant.

E. Le pistolet ne dispose pas d'une pression du liquide suffisante.

1. L'embout pulvérisateur est usé.
2. Le filtre de sortie ou le filtre du pistolet sont obstrués.
3. Tension faible et/ou intensité de courant électrique inappropriée.
4. Taille ou longueur du tuyau trop petite ou trop grande.

1. Remplacez.
2. Nettoyez ou remplacez le filtre.
3. Vérifiez le circuit électrique. Corrigez si besoin est.
4. Augmentez le diamètre du tuyau afin de minimiser la chute de pression le long du tuyau et/ou réduisez la longueur du tuyau.

F. La pompe broute pendant la course ascendante ou descendante.

1. Le solvant a fait gonfler la garniture supérieure.

- 1* Remplacez les garnitures.

* Reportez-vous au manuel d'entretien (numéro de pièce 2439109, disponible en ligne) pour obtenir des instructions complètes concernant les procédures de cette section.

7.3 Moteurs hydrauliques*

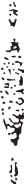
Problème	Cause	Solution
<p>A. Le moteur à huile cale en bas (pas de problème de surchauffe)</p>	<ol style="list-style-type: none"> 1. Le siège du piston de la pompe des fluides n'est pas fileté. 2. La soupape est grippée ou le sélecteur de la tige de déclenchement du moteur à huile est défectueuse. 	<ol style="list-style-type: none"> 1. Si la tige de connexion est bonne, retirez la bougie de la tête du cylindre et ôtez la soupape en tirant vers le bas. Remplacez la bougie et démarrez la machine. Si l'appareil effectue une course ascendante et s'arrête de nouveau en bas, alors le problème provient du siège du piston sur la pompe des liquides. Vérifiez le siège du piston. Réparez-le ou remplacez-le si cela s'avère nécessaire. Si le siège du piston est en bon état et que le problème persiste, vérifiez le moteur à huile. 2. Retirez la soupape et veillez à détecter les éventuelles fissures et à éviter qu'elle ne fonctionne par à-coups lorsqu'elle glisse vers le haut et vers le bas. Dans ce cas, remplacez la soupape et le tiroir. En pareil cas, vérifiez la tige de déclenchement et le tiroir afin de vérifier qu'ils ne sont pas disjoints. Vérifiez la tige de déclenchement n'est pas disjoints.
<p>B. Le moteur à huile cale en haut (pas de problème de surchauffe)</p>	<ol style="list-style-type: none"> 1. La soupape est grippée. 2. Le dispositif de retenue du ressort est cassé (tige de soupape) 3. La tige de soupape ou le ressort est endommagé. 4. Présence d'air dans le moteur hydraulique. 5. Présence d'air dans la pompe des fluides. 	<ol style="list-style-type: none"> 1. Retirez la soupape et veillez à détecter les éventuelles fissures et à éviter qu'elle ne fonctionne par à-coups lorsqu'elle glisse vers le haut et le bas. Dans ce cas, remplacez la soupape et le tiroir. 2. Remplacez la tige de soupape. 3. Remplacez la tige de soupape. 4. Réglez de nouveau la soupape. Purgez l'air, généralement en effectuant un cycle à basse pression du moteur et de la pompe pendant 5-10 minutes. Vérifiez l'origine de l'infiltration d'air. <ul style="list-style-type: none"> • Les raccords du réservoir sont desserrés. • Les raccords de la pompe hydraulique sont desserrés. • Les raccords du tuyau sont desserrés. • Insuffisance d'huile dans le réservoir. 5. Le moteur peut caler en haut lorsque la pompe aspire de l'air. Réinitialisez la soupape. Evitez toute infiltration d'air dans la pompe des fluides.
<p>C. Faible pression (adéquate sur course descendante, lente sur course ascendante– forte chaleur).</p>	<ol style="list-style-type: none"> 1. Le joint d'étanchéité du piston est endommagé. 2. Le piston est fêlé. 	<ol style="list-style-type: none"> 1. Avant de démonter le moteur à huile, mettez la machine en route. Effectuez un cycle de pompage sous pression, touchez le cylindre hydraulique et la tête du cylindre pour voir s'ils se réchauffent. Cela vous permettra de déterminer si le joint du piston a fondu ou si l'écrou du piston est endommagé. Si la tête est chaude, vérifiez les joints toriques de la soupape à tiroir. 2. Démontez le moteur à huile et vérifiez l'alésage du cylindre, les joints du piston et l'écrou du piston. Faites particulièrement attention à l'écrou du piston. Il peut présenter une fissure interne sans que rien n'y paraisse.
<p>NOTA: Le moteur peine en course ascendante et cale en course descendante.</p>		
<p>D. Faible pression (pour les deux courses – forte chaleur)</p>	<ol style="list-style-type: none"> 1. Les joints toriques centraux de la soupape à tiroir sont endommagés. 2. La pompe hydraulique est défaillante. 	<ol style="list-style-type: none"> 1. Avant de démonter le moteur à huile, mettez la machine en route. Effectuez un cycle de pompage sous pression, touchez la tête pour voir si elle se réchauffe. Cela vous permettra de déterminer si le joint torique central de la soupape à tiroir a fondu. S'il est chaud, retirez et remplacez le joint torique. 2. Remplacez la pompe hydraulique.
<p>NOTA: Le moteur peine sur les deux courses.</p>		

* Reportez-vous au manuel d'entretien (numéro de pièce 2439109, disponible en ligne) pour obtenir des instructions complètes concernant les procédures de cette section.

7.4 Répartition de la pulvérisation

Problème

A. Trainées



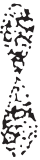
Cause

1. Sortie de liquide incorrecte

Solution

1. Le liquide ne s'atomise pas correctement
Augmentez la pression du liquide. Changez pour un embout au diamètre plus petit. Réduisez la viscosité du liquide. Réduisez la longueur du tuyau. Nettoyez le pistolet et le(s) filtre(s). Réduisez le nombre de pistolets utilisant la pompe.

B. Sablier



1. Sortie de liquide incorrecte

1. Cf. ci-avant.

C. Déformation



1. L'embout de la buse est obstrué ou usé

1. Nettoyez ou remplacez l'embout.

D. Pulvérisation qui s'étend et se rétracte (surtension)



1. Fuite d'aspiration
2. Sortie de liquide par à-coups

1. Détectez toute fuite éventuelle du tuyau d'aspiration.
2. Changez pour un embout au diamètre plus petit. Installez un amortisseur de pulsations dans le circuit ou purgez l'appareil. Réduisez le nombre de pistolets utilisant la pompe. Débloquez le circuit, nettoyez le filtre de l'embout si le filtre est utilisé.

E. Pulvérisation arrondie



1. Embout usé
2. Liquide trop dense pour l'embout

1. Remplacez l'embout.
2. Augmentez la pression. Diluez le produit. Changez l'embout de la buse.

Garantie

Titan Tool, Inc. ("Titan") garantit qu'au moment de la livraison à l'acheteur initial ("Utilisateur"), l'appareil couvert par la présente garantie sera exempt de défauts de matériaux et de fabrication. Exception faite de toute garantie particulière ou limitée et de toute extension de garantie publiées par Titan, la responsabilité de celui-ci se limite, en vertu de la présente garantie, au remplacement ou à la réparation sans frais des pièces dont le caractère défectueux aura été démontré de manière satisfaisante pour Titan, dans un délai de douze (12) mois après la date d'achat par l'Utilisateur. Cette garantie ne sera applicable que si l'appareil a été installé et utilisé conformément aux recommandations et directives de Titan.

Cette garantie ne sera pas applicable dans les cas d'endommagement ou d'usure dus à l'abrasion, la corrosion, un mauvais usage, la négligence, un accident, une installation incorrecte, un remplacement par des composants non fournis par Titan ou toute autre intervention non autorisée de nature à nuire au fonctionnement normal de l'appareil.

Les pièces défectueuses devront être envoyées à un centre de service / vente Titan autorisé. Les frais de transport couvrant y compris le retour à l'usine, seront, le cas échéant, prépayés par l'Utilisateur. Après réparation ou remplacement, les pièces seront renvoyées à ce dernier par transport prépayé.

AUCUNE AUTRE GARANTIE EXPRESSE N'EST ACCORDÉE. TITAN REJETTE TOUTE AUTRE GARANTIE IMPLICITE Y COMPRIS, NOTAMMENT, LES GARANTIES DE QUALITÉ MARCHANDE ET DE COMPATIBILITÉ AVEC UN USAGE PARTICULIER, DANS LES LIMITES PERMISES PAR LA LOI.

LA DURÉE DES GARANTIES IMPLICITES NE POUVANT FAIRE L'OBJET D'UNE RENONCIATION SE LIMITE À LA PÉRIODE INDIQUÉE DANS LA GARANTIE EXPRESSE.

LA RESPONSABILITÉ DE TITAN NE SAURAIT EN AUCUN CAS ÊTRE ENGAGÉE POUR UN MONTANT SUPÉRIEUR À CELUI DU PRIX D'ACHAT. TITAN EXCLUT TOUTE RESPONSABILITÉ RELATIVE AUX DOMMAGES INDIRECTS, ACCESSOIRES OU PARTICULIERS, DANS LES LIMITES PRÉVUES PAR LA LOI.

TITAN NE DONNE AUCUNE GARANTIE ET DÉCLINE TOUTE GARANTIE IMPLICITE DE QUALITÉ MARCHANDE ET DE COMPATIBILITÉ AVEC UN USAGE PARTICULIER EN CE QUI CONCERNE LES ACCESSOIRES, L'APPAREIL, LES MATÉRIAUX OU LES COMPOSANTS VENDUS MAIS NON FABRIQUÉS PAR TITAN. CES DERNIERS ÉLÉMENTS, VENDUS MAIS NON FABRIQUÉS PAR TITAN (MOTEURS À ESSENCE, COMMUTATEURS, FLEXIBLES, ETC.), SONT SOUMIS, LE CAS ÉCHÉANT, À LA GARANTIE DU FABRICANT. TITAN S'ENGAGE À PORTER ASSISTANCE AUX ACHETEURS, DANS LES LIMITES DU RAISONNABLE, POUR LA CONSTITUTION DE RÉCLAMATIONS RELATIVES AU NON RESPECT DE CES GARANTIES.

F

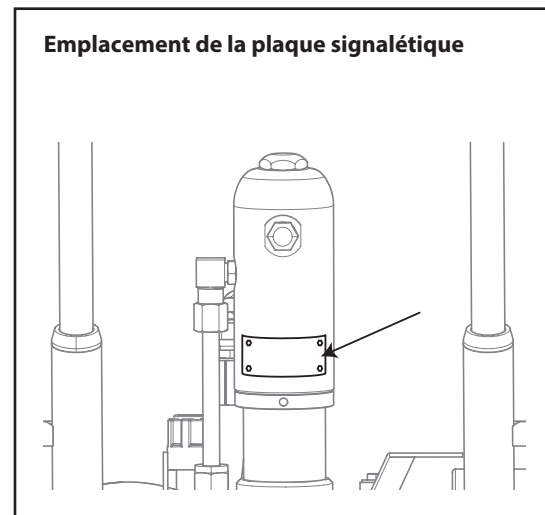
Consignes d'élimination:

Selon la directive européenne 2012/19/UE sur l'élimination des vieux appareils électriques et sa conversion en droit national, ce produit ne peut pas être jeté dans les ordures ménagères, mais est à amener à un point de recyclage en vue d'une élimination dans le respect de l'environnement!

Titan, resp. nos représentations commerciales reprennent votre vieil appareil Titan pour l'éliminer dans le respect de l'environnement. Adressez-vous donc directement à nos points de service resp. représentations commerciales ou directement à nous.



Emplacement de la plaque signalétique



Déclaration de Conformité UE

Nous déclarons sous notre responsabilité que ce produit est en conformité avec les réglementations suivantes:

2006/42/CE

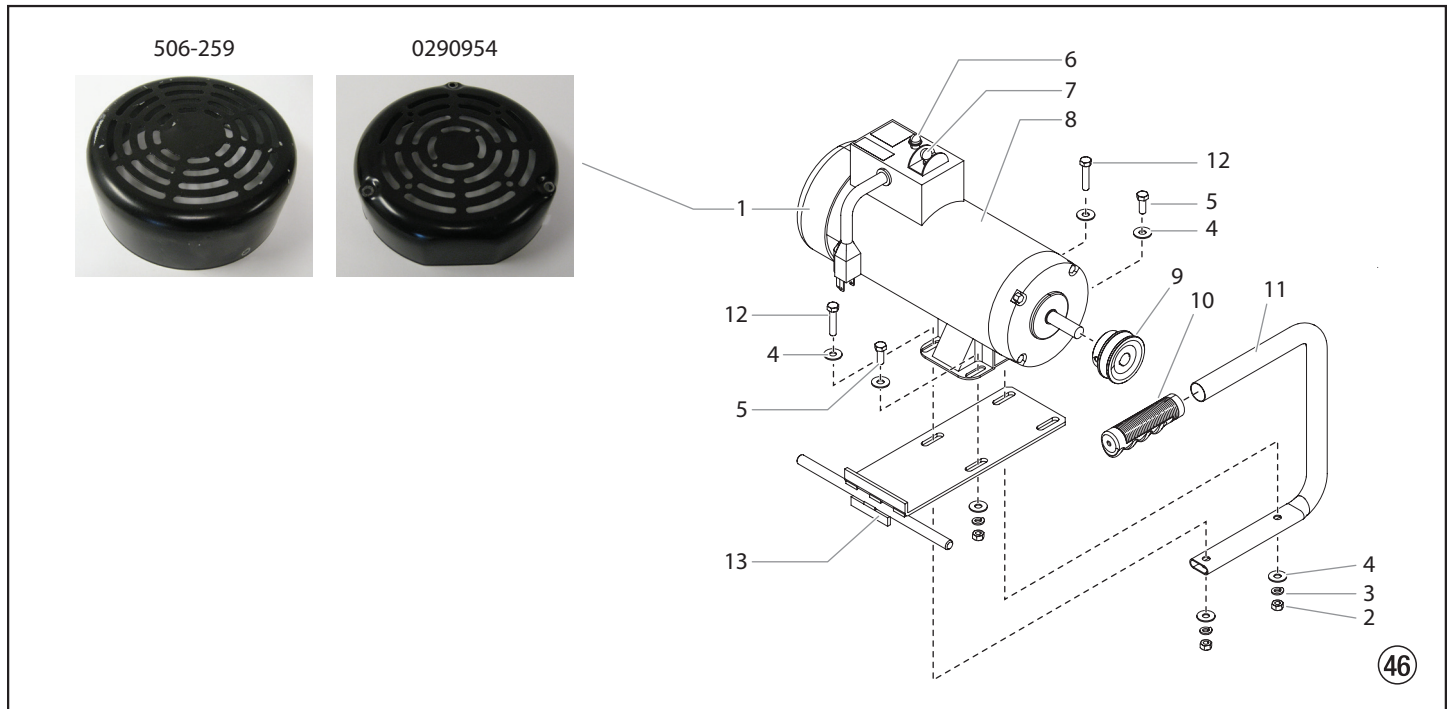
Conforme aux normes et documents normalisés:

EN ISO 12100:2012, EN 1953:2013

La déclaration de conformité UE est jointe à ce produit.

Elle peut être commandée au besoin sous le numéro de

commande **2338028**.

(GB) DC - Electric Convertokit (120V)**(D)** Convertokit, Elektromotor (120V)**(F)** Convertokit, moteur électrique (120V)

Pos.	PT4900 (120V)	(GB) Description	(F) Benennung	(D) Description
1	506-259	Cover (screws from the outside)	Abdeckung	Couvercle
	0290954	Cover (screws from the rear)	Abdeckung	Couvercle
2	0509885	Stop nut (4)	Stellmutter (4)	Écrou d'arrêt (4)
3	860-002	Lock washer (4)	Federscheibe (4)	Rondelle d'arrêt (4)
4	860-004	Flat washer (8)	Schiebe (8)	Rondelle (8)
5	860-535	Screw (2)	Schraube (2)	Vis (2)
6	978-040	Circuit breaker reset	Schutzschalter-Reset	Bouton de réenclenchement du disjoncteur
7	506-260	ON/OFF switch (screws from the outside)	EEIN/AUS-Schalter (Schrauben von außen)	Interrupteur MARCHE/ARRET (vis de l'extérieur)
	2449006	ON/OFF switch (screws from the outside)	EEIN/AUS-Schalter (Schrauben von hinten)	Interrupteur MARCHE/ARRET (vis de l'arrière)
8	978-350A	Motor, DC-Electric, 2 Hp, 50/60 Hz, 115V	Elektromotor, 2 PS, 50/60 Hz, 115V	Motor électrique, 2 Hp, 50/60 Hz, 115V
9	977-227	Pulley	Seilrolle	Poulie
10	590-068	Handle grip	Führungsgriff	Poignée-pistolet
11	335-017	Handle	Griff	Poignée
12	860-552	Screw (2)	Schraube (2)	Vis (2)
13	0290558	Mounting plate	Montageplatte	Plaque de fixation
14	2449007	Power cord assembly, 120V	Netzkabel-Baugruppe 120V	Ensemble cordon d'alimentation, 120V
Not shown • Nicht gezeigt • Non représentée				
	506-255	Rectifier	Gleichrichter	Rectificateur
	506-258	Fan	Lüfter	Ventilateur
	0290956	Brush cover, plastic	Bürstenabdeckung, Kunststoff	Couvercle de la brosse, en plastique

#	GB Description	D Benennung	F Description
103-827	55 Gal. Siphon Hose Assembly w/Rock Catcher 1" x 6.5' (PT4900)	55 Gal. Saugschlauch w/Steinabschneider 1" x 6.5' (PT4900)	Assemblage du tuyau de siphon de 208 litres avec grille à roches de 2,5 cm x 2 m (PT4900)
103-817	55 Gal. Siphon Hose Assembly w/Rock Catcher 1" x 6.5' (PT6900, PT8900, PT12000)	55 Gal. Saugschlauch w/Steinabschneider 1" x 6.5' (PT6900, PT8900, PT12000)	Assemblage du tuyau de siphon de 208 litres avec grille à roches de 2,5 cm x 2 m (PT6900, PT8900, PT12000)
930-004	Paint Filter Element, 0 Mesh (for mastics)	Farbfilterelement, Maschenweite 0 für Mastik	Élément filtrant, 0 mesh (pour les mastics)
930-005	Paint Filter Element, 5 Mesh (for multicolors and heavy materials)	Farbfilterelement, Maschenweite 5 (für Mehrfarben und schwere Materialien)	Élément filtrant, 5 mesh (pour les peintures multicolores et lourdes)
930-006	Paint Filter Element, 50 Mesh (for latex and normal architectural materials)	Farbfilterelement, Maschenweite 50 (für Latexfarbe und herkömmliche Architekturmaterialien)	Élément filtrant, 50 mesh (pour les peintures au latex et les peintures bâtiment normales)
930-007	Paint Filter Elements, 100 Mesh (for stains, lacquers and fine materials)	Farbfilterelement, Maschenweite 100 (für Beize, Lacke und feine Materialien)	Élément filtrant, 100 mesh (pour les teintures, les vernis-laque et les produits légers)
538072	RX-Apex™ spray gun, no filter GHT Kit	RX-Apex™ Spritzpistole, ohne Filter GHT-Kit	RX-Apex™ pistolet de pulvérisation, sans filtre trousse de GHT
538245	RX-Pro® spray gun, no filter GHT Kit	RX-Pro® Spritzpistole, ohne Filter GHT-Kit	RX-Pro® pistolet de pulvérisation, sans filtre trousse de GHT
314-480	Piston Lube™	Piston Lube™	Piston Lube™
430-362	Coolflo™ Hydraulic Fluid, 1 Quart	Coolflo™ Hydraulikflüssigkeit, 1 Quart	Fluide hydraulique Coolflo™, 0,9 litre
430-361	Coolflo™ Hydraulic Fluid, 1 Gallon	Coolflo™ Hydraulikflüssigkeit, 1 Gallone	Fluide hydraulique Coolflo™, 3,8 litres
975-212	2-Gun Manifold with Ball Valves, 1/4"	2-fach Pistolenanschluss mit Kugelventilen, 1/4"	Collecteur à deux pistolets avec soupapes à bille, 0,6 cm
975-213	3-Gun Manifold with Ball Valves, 1/4"	3-fach Pistolenanschluss mit Kugelventilen, 1/4"	Collecteur à trois pistolets avec soupapes à bille, 0,6 cm
975-312	2-Gun Manifold with Ball Valves, 3/8"	2-fach Pistolenanschluss mit Kugelventilen, 3/8"	Collecteur à deux pistolets avec soupapes à bille, 1 cm
975-313	3-Gun Manifold with Ball Valves, 3/8"	3-fach Pistolenanschluss mit Kugelventilen, 3/8"	Collecteur à trois pistolets avec soupapes à bille, 1 cm
808-550	3/8" NPS(M) x 3" hex fitting	3/8" Gewindeanschluss nach nationalem Standard (M) x 3" Sechskantschraube	NPS (mâle) de 1 cm x raccord hexagonal de 7,5 cm
0290068	Belt guard label, PT4900 Plus	Kennzeichnung Riemenschutz, PT4900 Plus	Étiquette de la protection de courroie, PT4900 Plus
0290069	Belt guard label, PT6900 Plus	Kennzeichnung Riemenschutz, PT6900 Plus	Étiquette de la protection de courroie, PT6900 Plus
0290072	Belt guard label, PT8900 Plus	Kennzeichnung Riemenschutz, PT8900 Plus	Étiquette de la protection de courroie, PT8900 Plus
0290073	Belt guard label, PT12000 Plus	Kennzeichnung Riemenschutz, PT12000 Plus	Étiquette de la protection de courroie, PT12000 Plus

Airless Tip Selection

Tips are selected by the orifice size and fan width. The proper selection is determined by the fan width required for a specific job and by the orifice size that will supply the desired amount of fluid and accomplish proper atomization.

For light viscosity fluids, smaller orifice tips generally are desired. For heavier viscosity materials, larger orifice tips are preferred. Please refer to the chart below.



Do not exceed the sprayer's recommended tip size.

The following chart indicates the most common sizes and the appropriate materials to be sprayed.

Tip Size	Spray Material	Filter Type
.011 - .013	Lacquers and stains	100 mesh filter
.015 - .019	Oil and latex	60 mesh filter
.021 - .026	Heavy bodied latex and blockfillers	30 mesh filter

Fan widths measuring 8" to 12" (20 to 30 cm) are preferred because they offer more control while spraying and are less likely to plug.

Auswahl an Airless Düsen

Die Düsen werden je nach Düsendurchmesser und Strahlbreite ausgewählt. Die Auswahl hängt von der Strahlbreite ab, die für eine spezielle Arbeit erforderlich ist sowie von der Düsendurchmesser, die die gewünschte Menge an Flüssigkeit aufträgt und für eine korrekte Zerstäubung sorgt.

Für Flüssigkeiten mit leichter Viskosität werden in der Regel Düsen mit kleinerem Düsendurchmesser eingesetzt. Für Materialien mit schwererer Viskosität werden größere Düsendurchmesser bevorzugt. Beachten Sie diesbezüglich die untere Tabelle.



Verwenden Sie für das Sprühergerät keine Düsenöffnungsgrößen, die größer als empfohlen sind.

Aus der folgenden Tabelle können Sie die üblichen Größen und die geeigneten Materialien, die aufgesprüht werden können, entnehmen.

Düsen-durchmesser	Spritzmaterial	Filtertyp
.011 - .013	Lacke und Farbe	100 Maschen
.015 - .019	Öl und Latex	60 Maschen
.021 - .026	Dickflüssiges Latex und Blockfüller	30 Maschen

Strahlbreiten von 8" bis 12" (20 bis 30 cm) sind zu bevorzugen, weil sie beim Sprühen besser kontrolliert werden können und seltener verstopfen.

Choix des embouts à dépression

Le choix des embouts est fonction de la taille de l'orifice et de la largeur du ventilateur. La largeur du ventilateur requise pour une tâche particulière ainsi que la taille de l'orifice permettant de projeter la quantité de produit souhaitée avec l'atomisation requise déterminent le meilleur choix.

En présence de liquides moins visqueux, les embouts munis d'un orifice plus petit sont recommandés. Pour les produits plus épais, les embouts munis d'un orifice plus gros seront préférés. Se reporter au tableau ci-dessous.



Ne pas utiliser un embout de taille supérieure à celle recommandée pour le vaporisateur.

Le tableau suivant indique les embouts les plus utilisés ainsi que le produit à vaporiser en fonction de chaque embout.

Taille de l'embout	Produit vaporisé	Type de filtre
.011 - .013	Laques et teintures	100 mailles
.015 - .019	Peintures à huile et au latex	60 mailles
.021 - .026	Peintures épaisses au latex et matériaux de remplissage	30 mailles

Les ventilateurs d'une largeur de 20 à 30 cm (8 à 12 pouces) seront préférés du fait qu'ils permettent une plus grande maîtrise et risquent moins de s'obstruer.

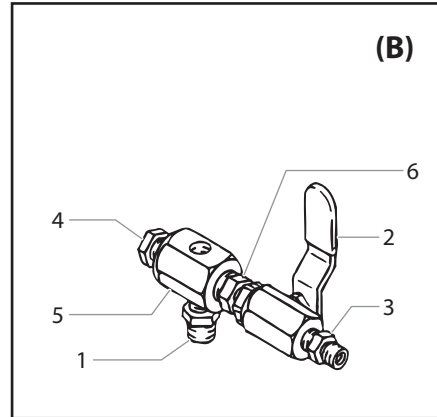
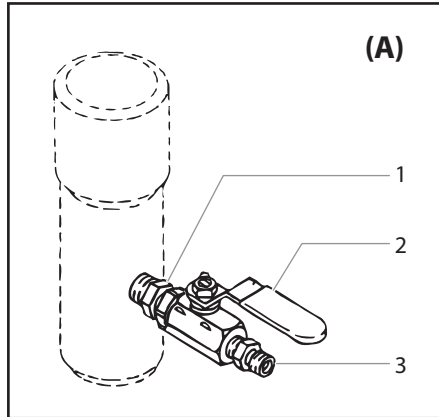
(GB) Gun Manifold Assemblies (Optional)

(F) Ensembles de collecteur de pistolet (facultatifs)

(D) Pistolenmehrfachanschluss (Optional)

Single Gun • Einfache Pistole • Pistolet simple

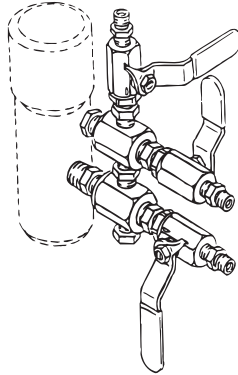
1-Gun add-on
1-Pistolenerweiterung
Pistolet simple
additionnel



Add-A-Gun Kit
Kit zur
Pistolenerweiterung
Trousse pour ajouter
un pistolet

Pos.	#	(GB) Description	(D) Benennung	(F) Description	(A)		(B)	
					975-111 (1/4" / 6,35 mm)	975-311 (3/8" / 9,53 mm)	975-200 (1/4" / 6,35 mm)	975-300 (3/8" / 9,53 mm)
1	814-002	Nipple, hex	Sechskantnippel	Raccord hexagonal	1		1	
	814-004	Nipple, hex	Sechskantnippel	Raccord hexagonal		1		1
2	940-553	Ball valve	Ballventil	Soupape à bille	1		1	
	941-555	Ball valve	Ballventil	Soupape à bille		1		1
3	227-006	Nipple, hex	Sechskantnippel	Raccord hexagonal	1		1	
	808-555	Nipple, hex	Sechskantnippel	Raccord hexagonal		1		1
4	227-033	Pipe plug	Rohrstöpsel	Bouchon fileté			1	1
5	970-100	Block, manifold	Block, Düsenkanal	Bloc, collecteur			1	1
6	814-004	Nipple, hex	Sechskantnippel	Raccord hexagonal			1	1

Multiple Gun • Mehrfachpistole • Pistolet multiple



**3-Gun manifold assembly
Pistole mit 3-fach Anschluss
Ensemble du collecteur à trois
pistolets**

#	Benennung Description Description	975-212 2-Gun (1/4" / 6,35 mm)	975-213 3-Gun (1/4" / 6,35 mm)	975-312 2-Gun (3/8" / 9,53 mm)	975-313 3-Gun (3/8" / 9,53 mm)	975-314 4-Gun (3/8" / 9,53 mm)
975-111	A (1/4", 6,35 mm)	1	1			
975-311	A (3/8", 9,53 mm)			1	1	1
975-200	B (1/4", 6,35 mm)	1	2			
975-300	B (3/8", 9,53 mm)			1	2	3



POWRTWIN™ PLUS

Powered By Speeflo® HydraDrive™

UNITED STATES SALES & SERVICE

WEB: www.titantool.com

PHONE: 1-800-526-5362

1770 Fernbrook Lane

Minneapolis, MN 55447

INTERNATIONAL

WEB: www.titantool-international.com